

Compensating coupling GU3 form C, series CG1

R413000281

Flexible
couplings

2024-04-04

AVENTICS Flexible couplings



Technical data

Industry

Industrial

Thread size

M16x1,5

Material

Housing material

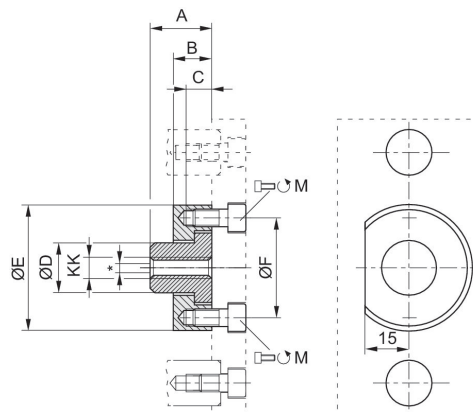
Stainless Steel

Screws material

Steel, chrome-plated

Part No.

R413000281



* Radial joint from 1,0 ... 2,5 mm

Compensating coupling GU3 form C, series CG1

R413000281

Flexible
couplings

2024-04-04

KK	Part No.	Ø	M	A	B	C	D	ØE	ØF
M6	R413000276	12/16	2x M4x10	18	7	7	10	22	15
M12x1,25	R413000280	40	2x M6x12	22	14	8	18	45	36
M16x1,5	R413000281	50/63	4x M6x14	26	14	8	24	54	45