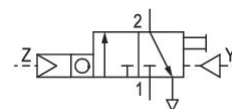


Pneumatic counters



Technical data

Industry	Industrial
Version	NC
Mounting orientation	Any
Medium	Compressed air
Max. particle size	40 µm
Min. ambient temperature	0 °C
Max. ambient temperature	60 °C
Min. medium temperature	0 °C
Max. medium temperature	60 °C
Min. oil content of compressed air	0 mg/m ³
Max. oil content of compressed air	1 mg/m ³
Display	3 digits
Logic function	Pneumatic/mechanic counter, adding with fixed pre-selection
Return	Pneumatically Manually via a button
Compressed air connection input	Ø 4
Compressed air connection output	Ø 4
Min. working pressure	2 bar
Max. working pressure	8 bar

Pneumatic presetting counter (add)

2023-10-11

0821304015

Pulse duration counting	> 8 ms
Pulse duration return	> 180 ms
Pause duration counting	> 10 ms
Pause duration return	> 50 ms
Weight	0.16 kg
Part No.	0821304015

Technical information

The pressure dew point must be at least 15 °C less than ambient and medium temperature and may not exceed 3 °C.

The min. control pressure must be adhered to, since otherwise faulty switching and valve failure may result!

The pressure dew point must be at least 15 °C less than ambient and medium temperature and may not exceed 3 °C.

The oil content of compressed air must remain constant during the life cycle.

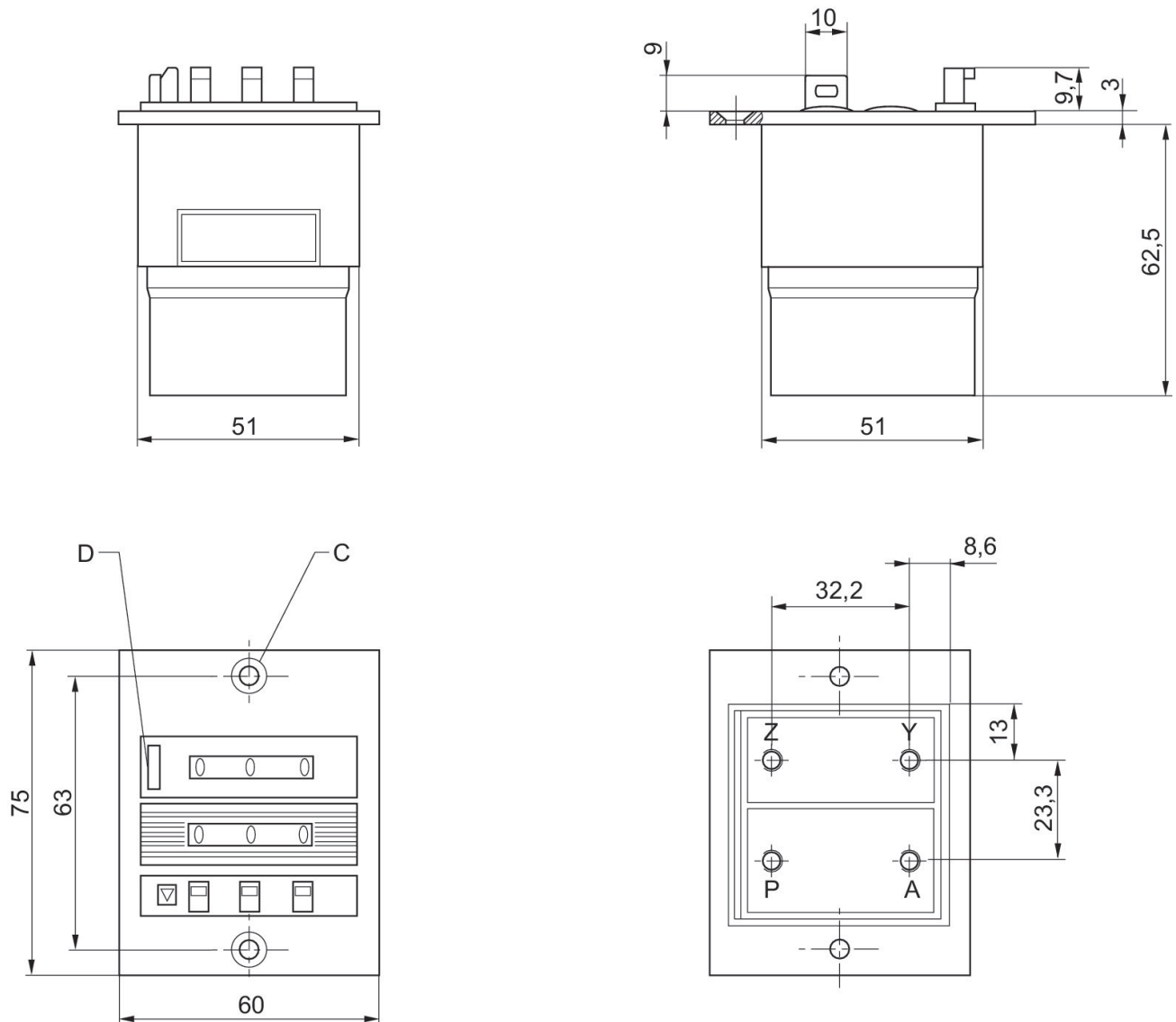
Use only the approved oils from AVENTICS. Further information can be found in the "Technical information" document (available in <https://www.emerson.com/en-us/support>).

Pneumatic presetting counter (add)

2023-10-11

0821304015

Fig. 2



P (1) = compressed air connection

Z = counting signal

Y = return signal

A (2) = output signal

C = countersink DIN 74-Af4 D = reset key

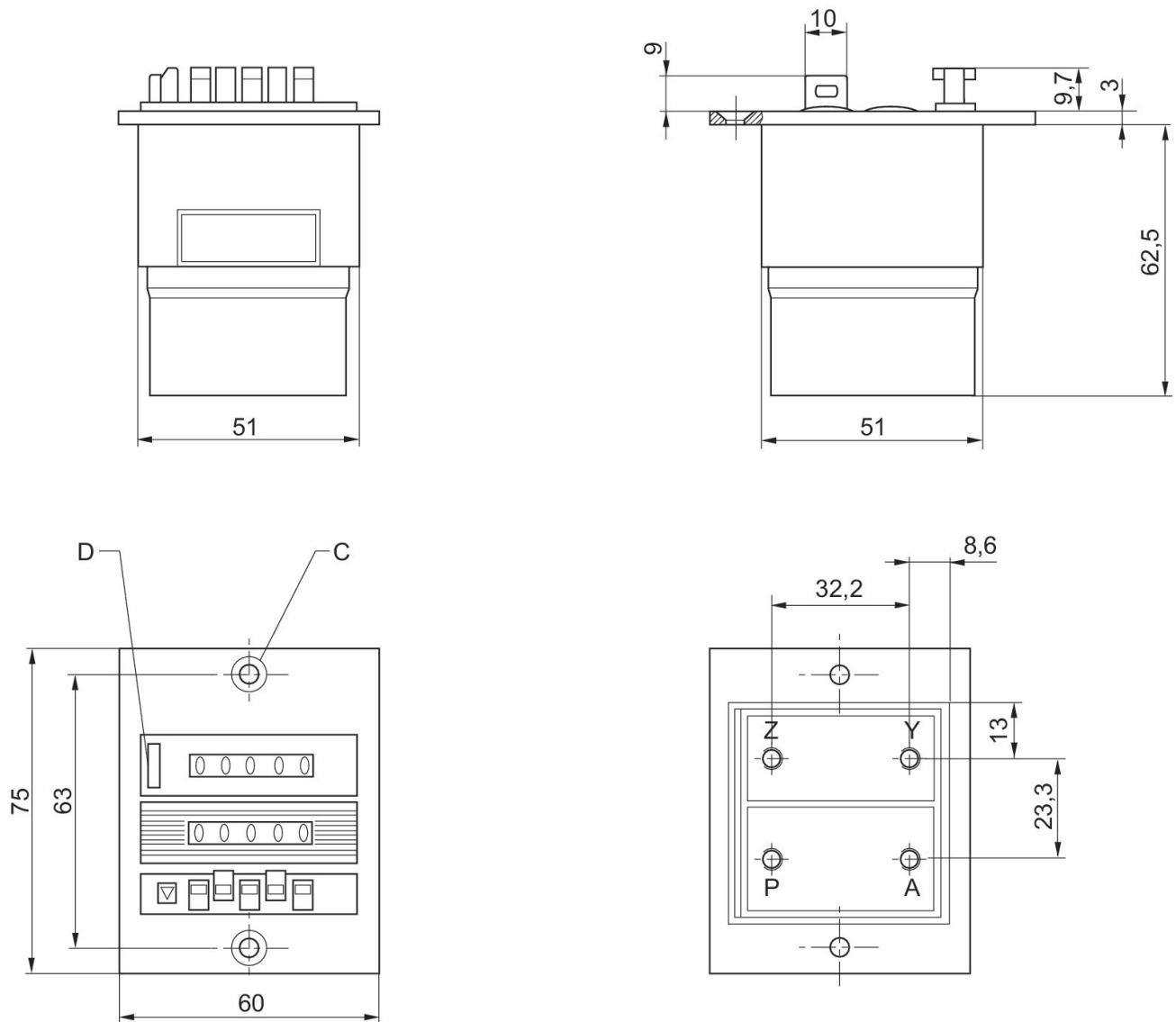
Included in the delivery contents: 2 oval head countersunk screws DIN 966 St M4 x 16 2 spring rings A4 DIN 124 2 hexagonal nuts M4 DIN 934

Pneumatic presetting counter (add)

2023-10-11

0821304015

Fig. 1



P (1) = compressed air connection

Z = counting signal

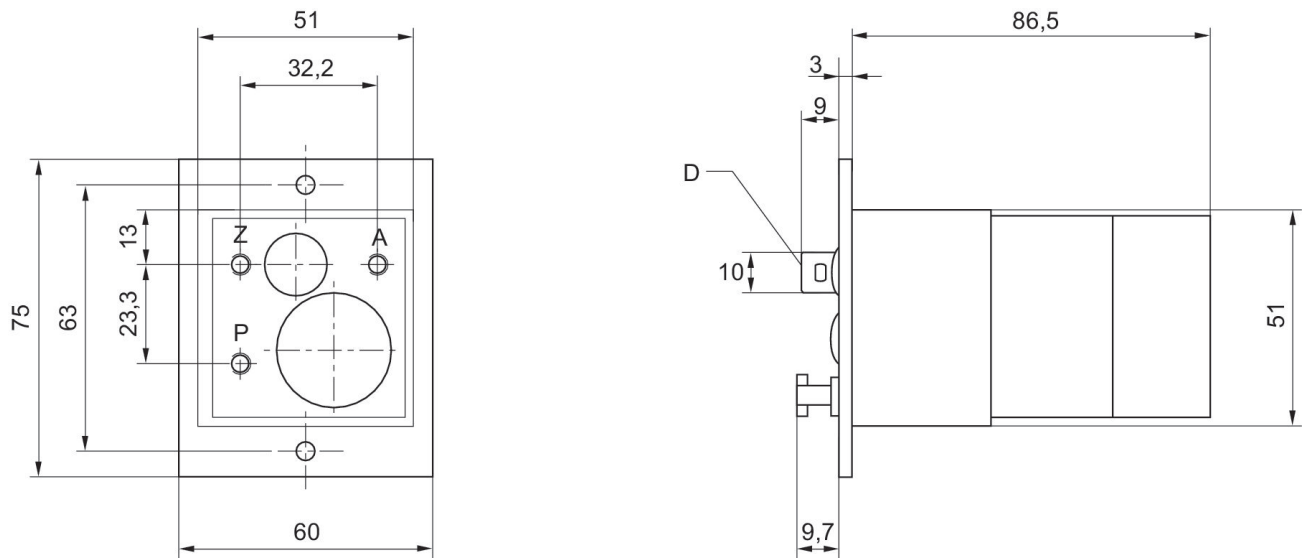
Y = return signal

A (2) = output signal

C = countersink DIN 74-Af4 D = reset key

Included in the delivery contents: 2 oval head countersunk screws DIN 966 St M4 x 16 2 spring rings A4 DIN 124 2 hexagonal nuts M4 DIN 934

Fig. 3



P (1) = compressed air connection

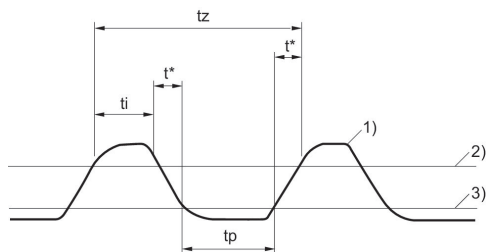
Z = counting signal

A (2) = output signal

D = reset key

Included in the delivery contents: 2 oval head countersunk screws DIN 966 St M4 x 16 2 spring rings A4 DIN 127 2 hexagonal nuts M4 DIN 934

Counting frequency



1) Counting impulse

2) Response pressure -[[0.8] bar

3) Release pressure -[[0.15] bar]

t_i = min. pulse duration t_p = min. pause duration t_z = time for counting pulse
 $t_z = t_i + t_p + 2t^*$ t^* = dependent on pressure and pipe length (values must be determined)