

Distribution block

1823391096

AVENTICS
Distributors
and
distributor
strips

AVENTICS Distributors and distributor strips



Technical data

Industry	Industrial
Type	Distributor 2x
Port G	M5
Working pressure min.	0 bar
Working pressure max	16 bar
Min. ambient temperature	-10 °C
Max. ambient temperature	70 °C
Delivery unit	10 piece
Weight	0.006 kg

Material

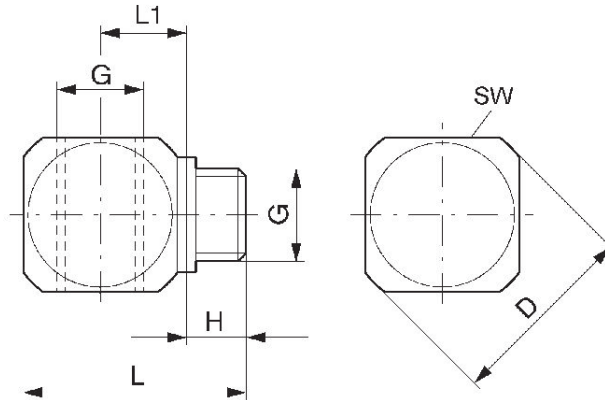
Housing material	Brass
Surface housing	galvanized
Seal material	Polyvinyl chloride
Surface seals	hard
Part No.	1823391096

Distribution block

1823391096

AVENTICS
Distributors
and
distributor
strips

Dimensions



Part No.	G	D	H	L	L1	SW
1823391096	M5	12.5	5	15	5.5	10
1823391097	G 1/8	20	7	24	9	15
1823391098	G 1/4	28.5	10	30	11	22
1823391099	G 3/8	35	10	33	12.5	27
1823391383	G 1/2	46	12	41.5	16	36