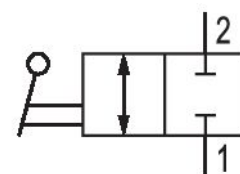


2/2-way stop valve, Series SC01

3520323500

General series information
AVENTICS Series SC01 Stop valves

- AVENTICS Series SC01 Stop valves are available even in 2/2 or 3/2 construction. SC01 stop valves control flow direction and support a diverse range of system requirements. Our ball valves are both reliable and robust when it comes to service and are available in various configurations and options.



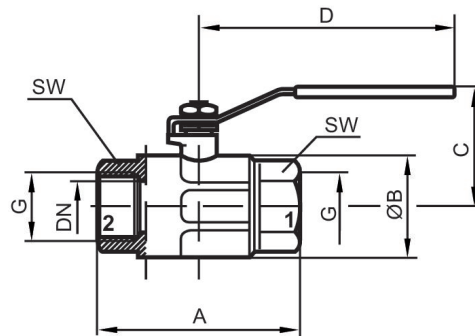
Technical data

Industry	Industrial
Type	Ball Valve
Switching principle	2/2
Medium	Compressed air
Compressed air connection 1	G 1/2
Compressed air connection type 1	Internal thread
Compressed air connection 2	G 1/2
Compressed air connection type 2	Internal thread
Min. ambient temperature	-20 °C
Max. ambient temperature	150 °C
Min. medium temperature	-20 °C
Max. medium temperature	150 °C
Working pressure min.	-0.8 bar
Working pressure max	50 bar
Weight	0.22 kg

Material

Housing material	Brass
Housing material	nickel-plated
Seal material	Polytetrafluorethylene
Material hand lever	Steel, chrome-plated
Part No.	3520323500

Dimensions



Part No.	Port G	DN	A	Ø B	C	D	SW
3520321500	G 1/4	10	49.5	23.5	41.5	85.5	18
3520322500	G 3/8	10	52.5	24	41.5	85.5	21
3520323500	G 1/2	15	61	30.5	49.8	92.5	25
3520324500	G 3/4	20	68	37	56.3	113.5	31
3520325500	G 1	25	85	45.5	60.3	113.5	38
3520326500	G 1 1/4	32	99.5	58	76.5	138	47
3520327500	G 1 1/2	40	109	71	92	158	54
3520328500	G 2	50	130	85	99	158	66