

Sensor mounting, Series CB1

3220613562

General series information
AVENTICS Sensor mountings

- AVENTICS Sensors mountings are especially designed to mount AVENTICS sensors on various cylinders.



Technical data

Industry
For series

Industrial
TRB
C12P
CVI
523

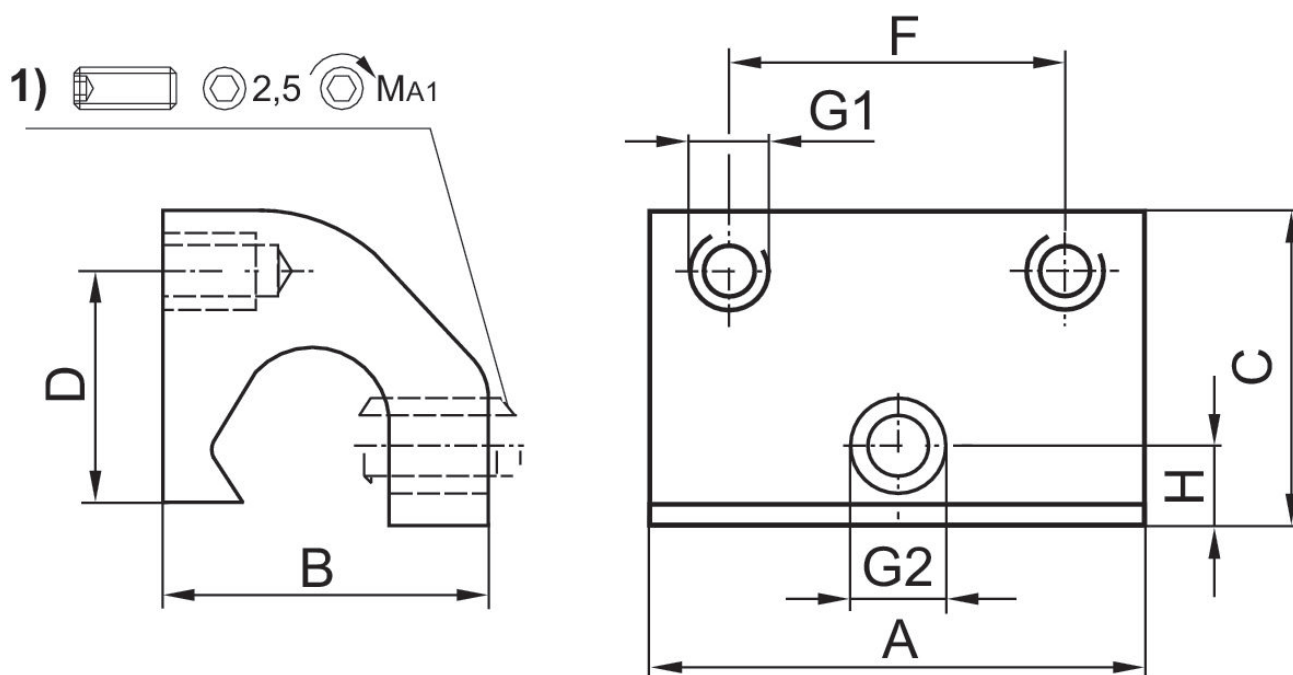
Cylinders Ø min.
Cylinders Ø max.
Weight

32 mm
63 mm
0.034 kg

Material

Housing material
Part No.

Aluminum
3220613562



1) Clamping threaded pin

Part No.	Cylinders \varnothing	A	B	C	D	F	G1	G2	H
3220643562	80 - 125 mm	35	22	21	12	23	M4	M5	5
3220613562	32 - 63 mm	35	22	21	16	23	M4	M5	5

Part No.	MA1 [Nm]
3220643562	1,8 +0,4
3220613562	1,8 +0,4