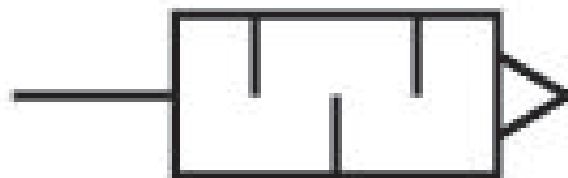


# Silencers, series S11

8240060000

General series information  
AVENTICS Series S11 Silencers

- AVENTICS Series S11 Silencers offers a broad range of silencers even in Metal or plastic to reduce the noise when Pneumatic products come to exhaust.



## Technical data

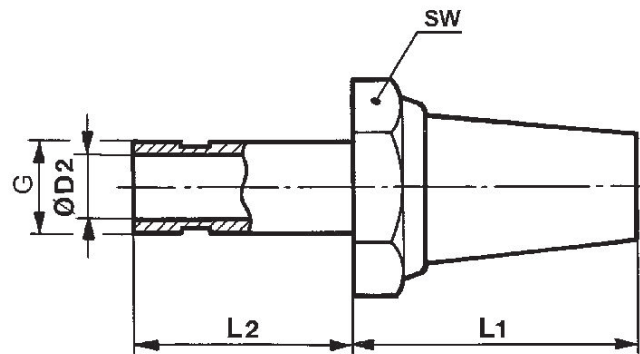
Industry	Industrial
Medium	Compressed air
Working pressure min.	0 bar
Working pressure max	10 bar
Min. ambient temperature	-25 °C
Max. ambient temperature	80 °C
Compressed air connection	Ø 6
Compressed air connection type	pin bushing
Nominal flow Qn	1011 l/min
Delivery unit	5 piece
Weight	0.01 kg

## Material

Silencer material  
Material push-in fitting  
Part No.

Sintered bronze  
Brass  
8240060000

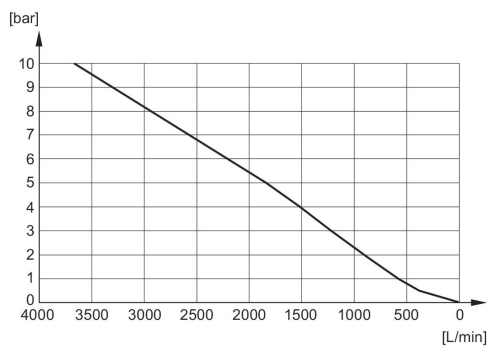
## Dimensions



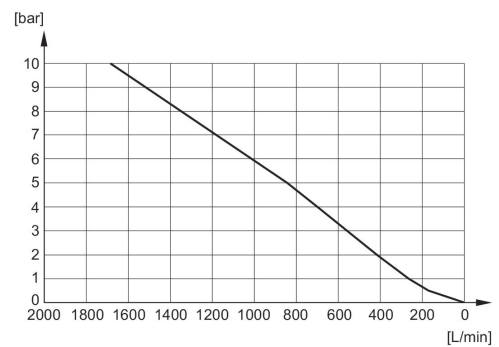
Part No.	Port G	Ø D2	L1	L2	SW
8240040000	Ø 4	2.5	16	17	10
8240060000	Ø 6	4	18	19	13
8240080000	Ø 8	6	25	19	17

Sound pressure level measured at 6 bar at 1 m distance

### Flow diagram 8240080000



### Flow diagram 8240060000



Flow diagram  
8240040000

