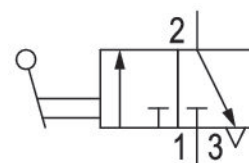
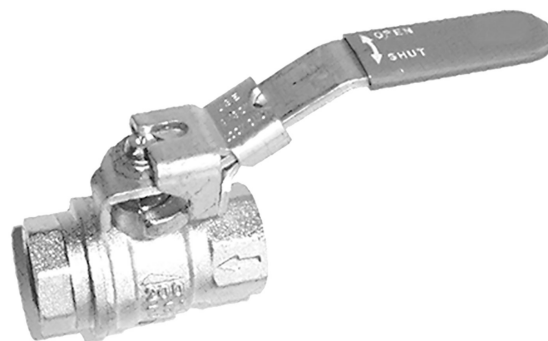


# 3/2-way stop valve, Series SC01

## R412010527

General series information  
AVENTICS Series SC01 Stop valves

- AVENTICS Series SC01 Stop valves are available even in 2/2 or 3/2 construction. SC01 stop valves control flow direction and support a diverse range of system requirements. Our ball valves are both reliable and robust when it comes to service and are available in various configurations and options.



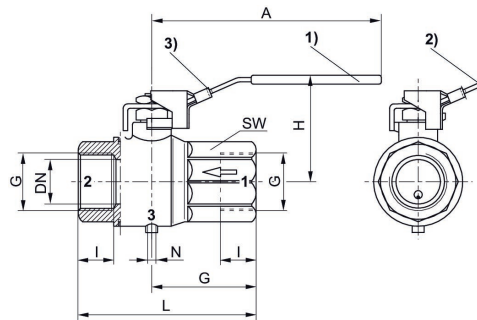
### Technical data

Industry	Industrial
Type	Ball Valve
Switching principle	3/2
Medium	Compressed air
Compressed air connection 1	G 1/4
Compressed air connection type 1	Internal thread
Compressed air connection 2	G 1/4
Compressed air connection type 2	Internal thread
Min. ambient temperature	-10 °C
Max. ambient temperature	100 °C
Min. medium temperature	-10 °C
Max. medium temperature	100 °C
Working pressure min.	0 bar
Working pressure max	14 bar
Weight	0.26 kg

## Material

Housing material	Brass
Housing material	nickel-plated
Seal material	Polytetrafluorethylene
Material hand lever	Steel, chrome-plated
Surface hand lever	Plastic sheathing, blue
Part No.	R412010527

## Dimensions



- 1) Open 2) Closed  
3) Fitting for padlock (max. bracket  $\varnothing$  7 mm)

Note: Can only be locked when closed!  
Padlock not included in the scope of delivery.

Part No.	Port G	DN	A	G	H	I	L	N	SW
R412010526	G 1/8	8	95.5	22.5	47	8	45	M5	20
R412010527	G 1/4	8	95.5	22.5	47	12	45	M5	20
R412010528	G 3/8	10	95.5	22.5	47	12	45	M5	20
R412010529	G 1/2	15	95.5	29.5	51.5	15.5	59	M5	25
R412010530	G 3/4	20	116	32	59	17	64	M5	31
R412010531	G 1	25	116	40.5	63	21	81	M5	40