

3/2 Micro solenoid valve, series PVP1

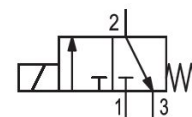
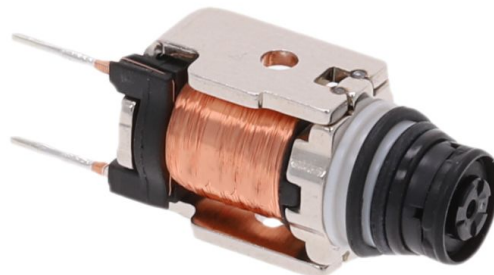
R422103885

Series
PVP1

2024-02-19

AVENTICS Series PVP1

These small size, light weight, low power Micro Solenoid Pilot Valves 8 mm are plug-in cartridge style. PVP1 Series can be used in applications where very compact solutions are required as well as high performances to control actuators or very small devices and it is suitable for portable equipment.



Technical data

Industry	Industrial
Activation	Electrically
Note	Ø [[8,2] mm] 24 V DC
Valve type	Poppet valve
Valve function	NC
Sealing principle	Soft seal
Nominal flow Qn 1 to 2	11 l/min
Nominal flow Qn 2 to 3	14 l/min
Min. working pressure	3 bar
Max. working pressure	8 bar
Electrical connection number of poles	2-pin
Protection class with connection	IP00
Operational voltage DC	24 V
Voltage tolerance DC	-10% / +10%

3/2 Micro solenoid valve, series PVP1

R422103885

Series
PVP1

2024-02-19

Power consumption DC	1.2 W
Duty cycle	100 %
Typ. switch-on time	12 ms
Standards	ISO 8573-1: class 6
Min. ambient temperature	-10 °C
Max. ambient temperature	60 °C
Min. medium temperature	-10 °C
Max. medium temperature	60 °C
Medium	Neutral gases Compressed air
Min. oil content of compressed air	0 mg/m ³
Max. oil content of compressed air	5 mg/m ³
Max. particle size	5 µm
Delivery unit	500 piece
Weight	0.005 kg

Material

Part No. R422103885

Technical information

Voltage can be reduced from 24 VDC to 22 VDC for long duty cycle and will reduce power consumption from 1.2 W to 1 W.

Minimum current for keeping permanent switched on position: 15 mA.

Nominal flow Q_n at [[6] bar] input pressure and atmospheric output pressure

Contact your nearest AVENTICS sales office for installation dimensions.

Please contact your nearest AVENTICS sales office for current availability.

The min. control pressure must be adhered to, since otherwise faulty switching and valve failure may result!

The pressure dew point must be at least 15 °C less than ambient and medium temperature and may not exceed 3 °C.

The oil content of compressed air must remain constant during the life cycle.

Use only the approved oils from AVENTICS. Further information can be found in the "Technical information" document (available in <https://www.emerson.com/en-us/support>).

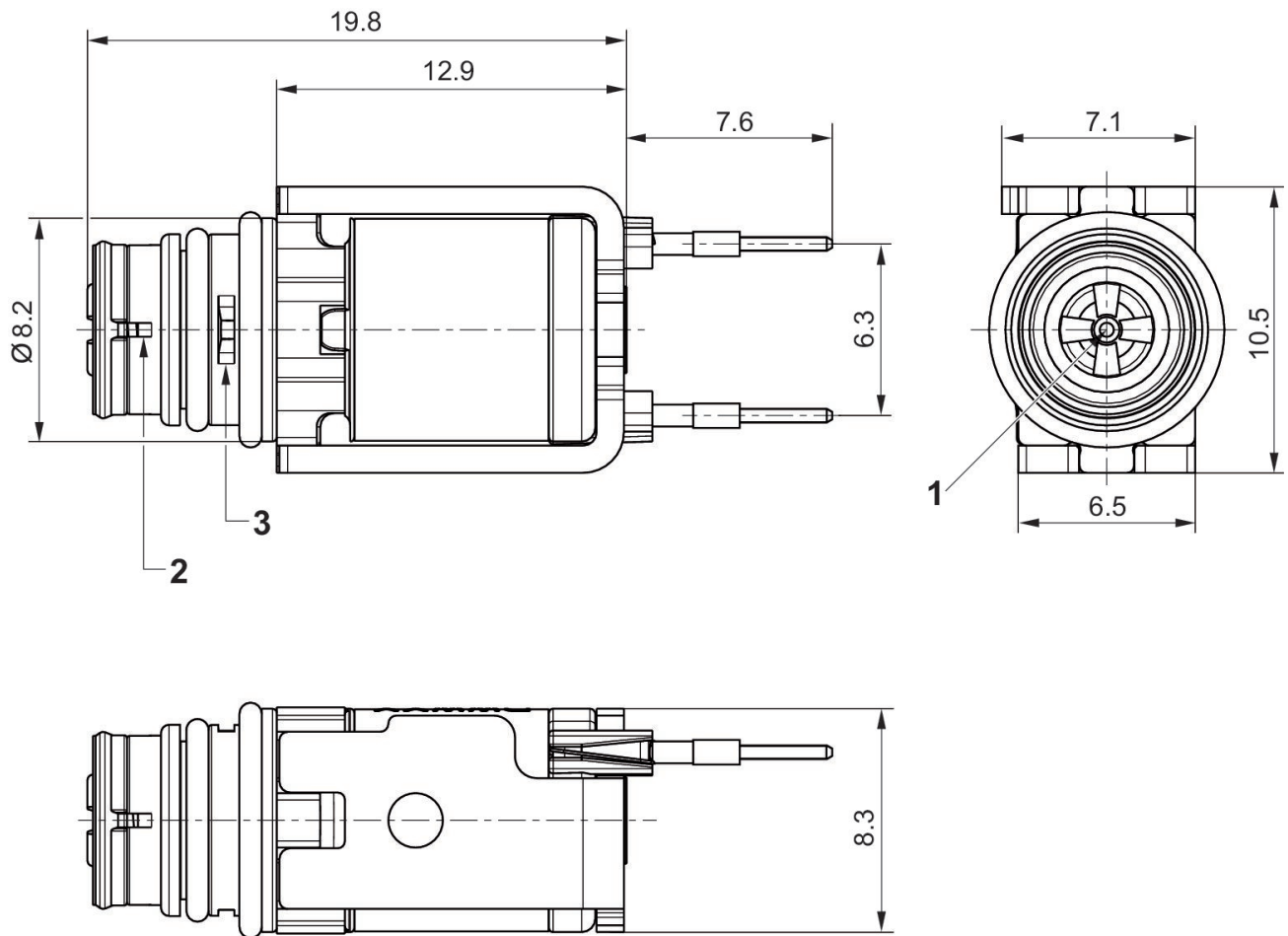
3/2 Micro solenoid valve, series PVP1

R422103885

Series
PVP1

2024-02-19

Dimensions



- 1) Port 1 (Input)
2) Port 2 (Working pressure)
3) Port 3 (Exhaust)