

AVENTICS Rear eyes



Technical data

Industry	Industrial
Version	With ball joint and foot
Piston diameter	85 mm 95 mm
Swivel bearing Ø	16 mm
Weight	0.6 kg

Material

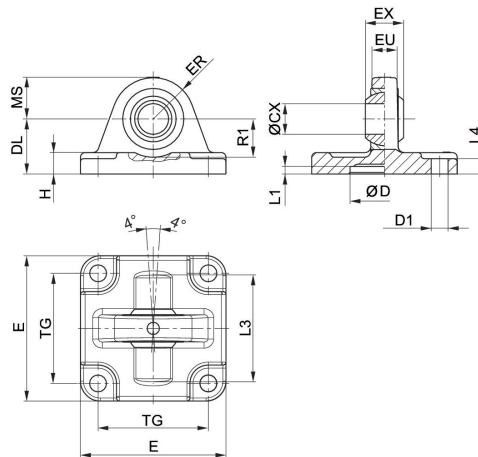
Housing material	Aluminum
Screws material	Galvanized Steel
Bearing material, inner ring	Stainless Steel
Bearing material, outer ring	Brass with PTFE coating
Part No.	5220463442

Rear eye MP6, Series CM1

5220463442

Rear eye

2023-10-25



Scope of delivery: clevis incl. mounting screws

Piston Ø	Part No.	ØCX H7	ØD H11	ØD1 H13	DL ±0,2	E	EX -0,1	ER	EU
25	3663602000	10	18	5,5	20	40	9	14	8
32	3663603000	10	20	5,5	22	46	9	15	8
40	3663604000	12	30	6,6	28	55	12	17	9,5
52,5	3663605000	12	40	6,6	28	62	12	17	9,5
63	5220163442	10	-	7,5	29	45	14	15	10,5
75	3663606000	16	55	9	36	80	16	25	12,5
80	5220363442	12	-	10	26	65	16	18	12
80	3663608000	16	70	9	38	94	16	28	12,5
85, 95	5220463442	16	-	10	30	75	21	22	15
100	3663610000	20	90	11	43	114	20	35	16
115	5220563442	16	-	12	37,5	95	21	25	15

Piston Ø	H	L1 min.	L3	L4	MS -0,5	R1 min.	TG
25	6	3	-	3	14	-	26
32	6	0,5	42	6	15	16	32
40	8	0,5	48	8	17	16	32
52,5	9	0,5	55	9	17	18	46
63	8	-	-	-	-	-	33
75	11	0,5	70	11	25	21	59
80	10	-	-	-	-	-	49
80	12	0,5	80	12	28	21	73
85, 95	10	-	-	-	-	-	59
100	15	0,5	100	15	35	28	90
115	12	-	-	-	-	-	75