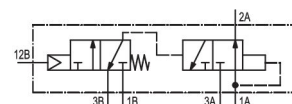


3/2-directional valve, Series 551

5510121100

Series 579, 589

■ $Q_n = [[520 \dots 850] \text{ l/min}]$



Technical data

Industry
Industrial

Activation
Pneumatically

Nominal flow Q_n
120 l/min

Switching principle
3/2

Actuating control
Single Solenoid

Working pressure min.
2 bar

Working pressure max
10 bar

Logic function
NOT (NO)

Control pressure min.
0.01 bar

Control pressure max.
0.5 bar

Housing material
Polyoxymethylene

Min. ambient temperature
-20 °C

Max. ambient temperature
70 °C

Min. medium temperature
-20 °C

Max. medium temperature
70 °C

Medium
Compressed air

Max. particle size
5 μm

Oil content of compressed air min.
0 mg/m³

Oil content of compressed air max.
1 mg/m³

version pneumatic port
NO

Weight
0.11 kg

Seal material
Acrylonitrile butadiene rubber

Part No.
5510121100

Technical information

The min. control pressure must be adhered to, since otherwise faulty switching and valve failure may result!

The pressure dew point must be at least 15 °C under ambient and medium temperature and may not exceed 3 °C .

The oil content of compressed air must remain constant during the life cycle.

Use only the approved oils from AVENTICS. Further information can be found in the “Technical information” document (available in <https://www.emerson.com/en-us/support>).

Fig. 2

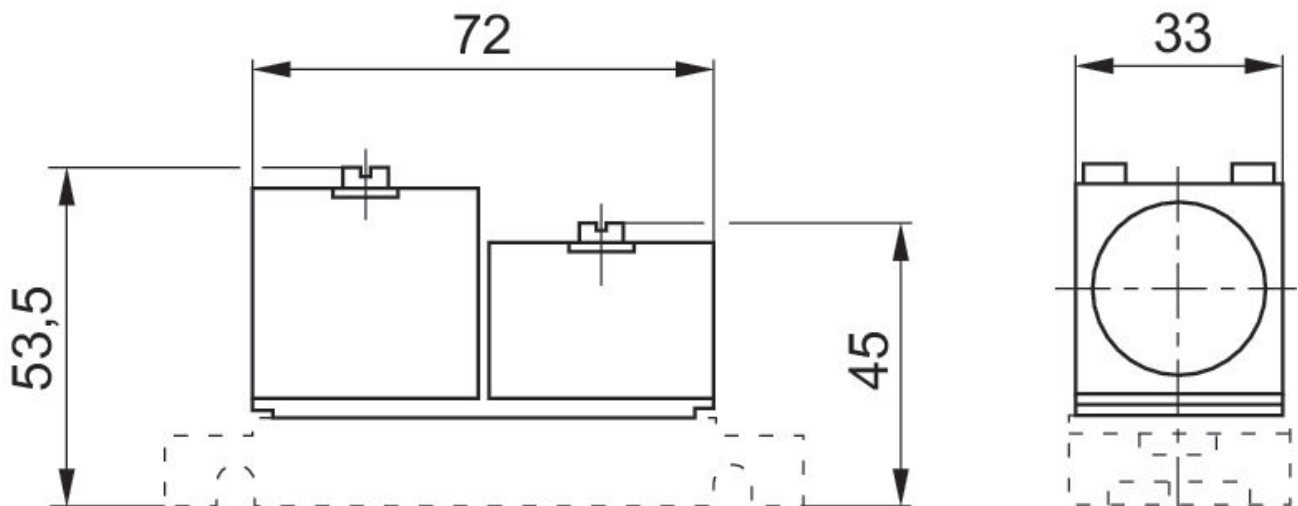


Fig. 1

