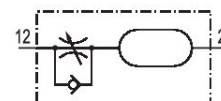
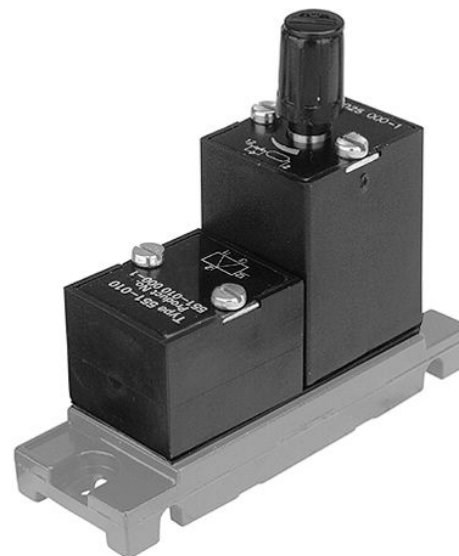


series 551



Technical data

Industry	Industrial
Type	for opening or closing delay
Time delay	10 s
Medium	Compressed air
Max. particle size	5 μm
Min. ambient temperature	-20 °C
Max. ambient temperature	70 °C
Min. medium temperature	-20 °C
Max. medium temperature	70 °C
Min. oil content of compressed air	0 mg/m ³
Max. oil content of compressed air	1 mg/m ³
Min. working pressure	1 bar
Max. working pressure	10 bar
Throttle	with throttle
Weight	0.08 kg
Housing material	Polyoxymethylene
Seal material	Acrylonitrile butadiene rubber
Part No.	5510250000

Technical information

The min. control pressure must be adhered to, since otherwise faulty switching and valve failure may result!

The pressure dew point must be at least 15 °C less than ambient and medium temperature and may not exceed 3 °C.

The oil content of compressed air must remain constant during the life cycle.

Use only the approved oils from AVENTICS. Further information can be found in the "Technical information" document (available in <https://www.emerson.com/en-us/support>).

Fig. 2

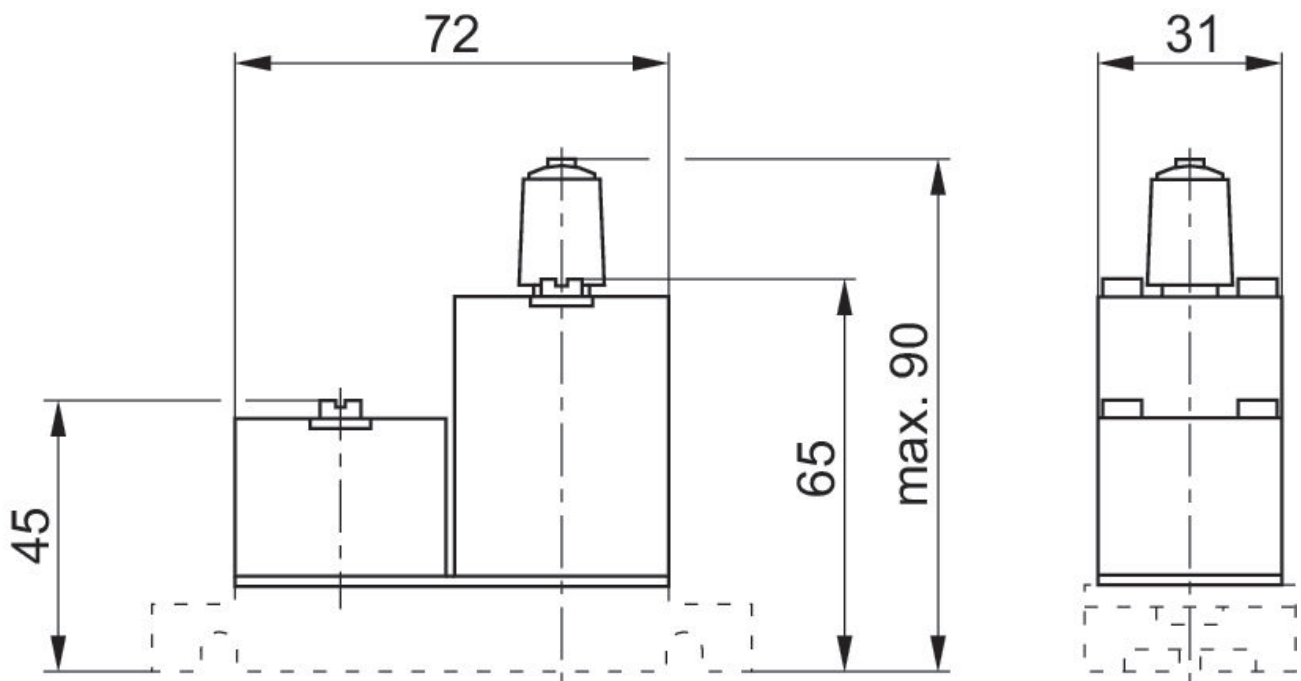


Fig. 1

