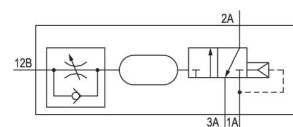
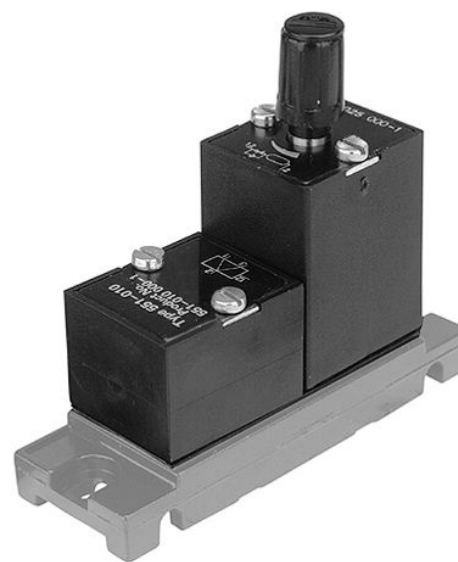


# Pneumatic timer

## 5510250100

series 551



### Technical data

Industry  
Industrial

Version  
NC

Time delay  
10 s

Medium  
Compressed air

Max. particle size  
5  $\mu\text{m}$

Min. ambient temperature  
-20 °C

Max. ambient temperature  
70 °C

Min. medium temperature  
-20 °C

Max. medium temperature  
70 °C

Oil content of compressed air min.  
0 mg/m<sup>3</sup>

Oil content of compressed air max.  
1 mg/m<sup>3</sup>

Logic function  
YES

Nominal flow Qn  
120 l/min

Working pressure min.  
1.5 bar

Working pressure max  
10 bar

Control pressure min.  
1.05 bar

Control pressure max.  
7 bar

Throttle  
with throttle

Weight  
0.125 kg

Housing material  
Polyoxymethylene

Seal material  
Acrylonitrile butadiene rubber

Part No.  
5510250100

### Technical information

The min. control pressure must be adhered to, since otherwise faulty switching and valve failure may result!

The pressure dew point must be at least 15 °C under ambient and medium temperature and may not exceed 3 °C .

The oil content of compressed air must remain constant during the life cycle.

Use only the approved oils from AVENTICS. Further information can be found in the "Technical information" document (available in <https://www.emerson.com/en-us/support>).

Fig. 2

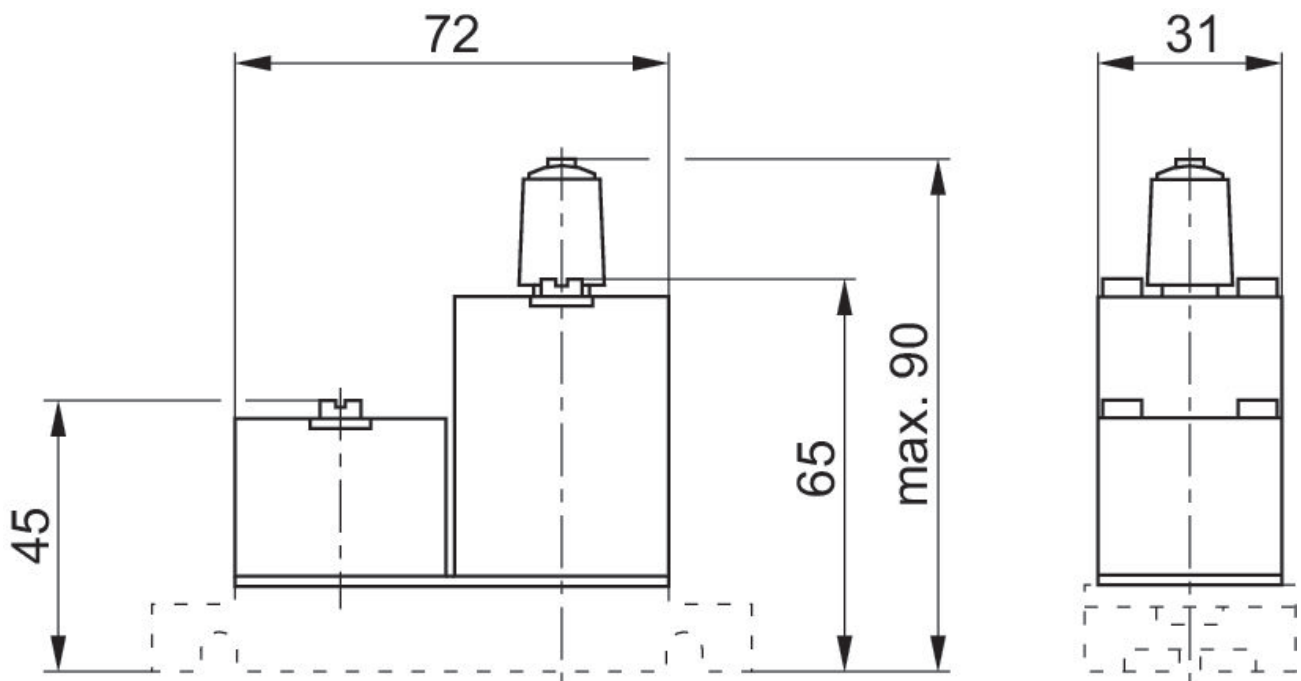


Fig. 1

