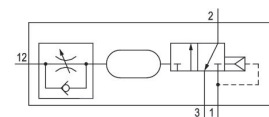
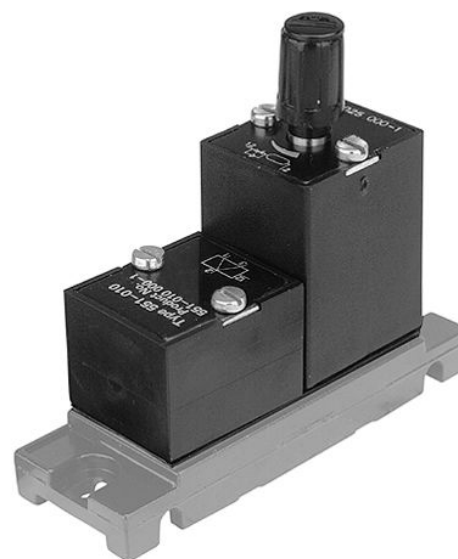


5510260100

series 551



Technical data

Industry	Industrial
Type	for opening or closing delay
Version	NC
Time delay	10 s
Medium	Compressed air
Max. particle size	5 μm
Min. ambient temperature	-20 $^{\circ}\text{C}$
Max. ambient temperature	70 $^{\circ}\text{C}$
Min. medium temperature	-20 $^{\circ}\text{C}$
Max. medium temperature	70 $^{\circ}\text{C}$
Min. oil content of compressed air	0 mg/m^3
Max. oil content of compressed air	1 mg/m^3
Logic function	YES
Nominal flow Q_n	120 l/min
Min. working pressure	1.5 bar
Max. working pressure	10 bar
Min. control pressure	1.05 bar
Max. control pressure	7 bar
Throttle	with throttle
Weight	0.125 kg
Housing material	Polyoxymethylene
Seal material	Acrylonitrile butadiene rubber

Part No.

5510260100

Technical information

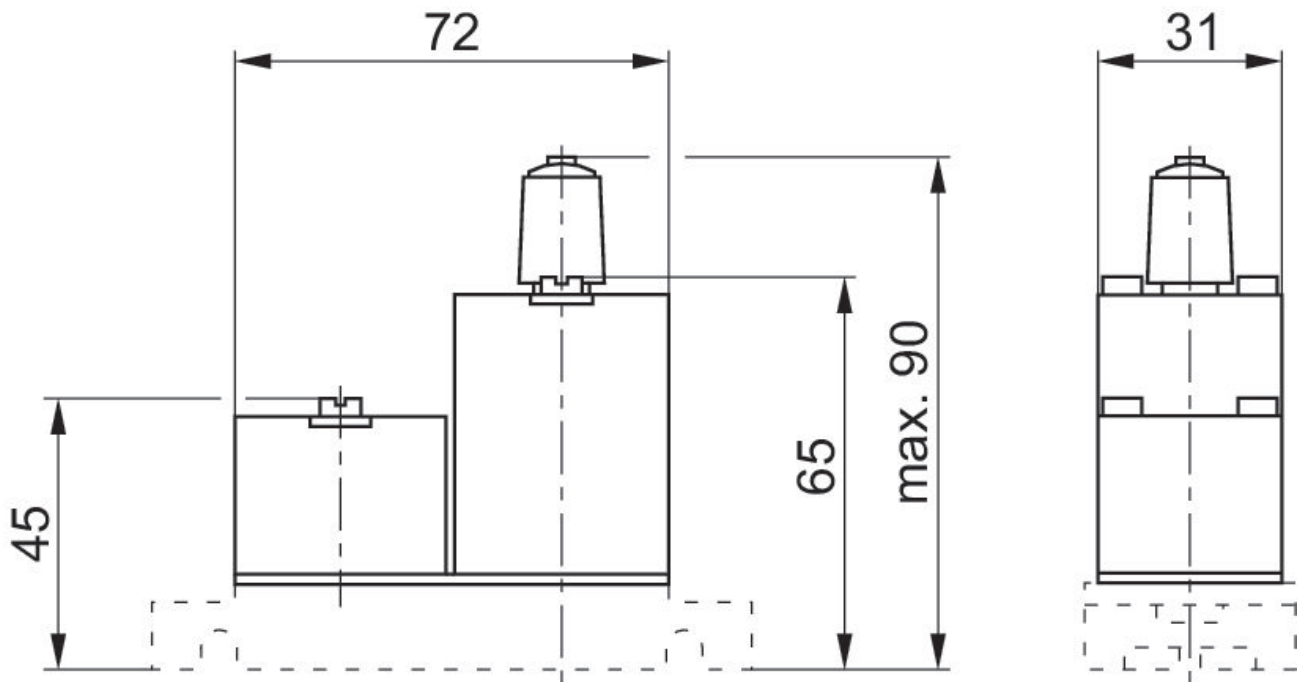
The min. control pressure must be adhered to, since otherwise faulty switching and valve failure may result!

The pressure dew point must be at least 15 °C less than ambient and medium temperature and may not exceed 3 °C.

The oil content of compressed air must remain constant during the life cycle.

Use only the approved oils from AVENTICS. Further information can be found in the "Technical information" document (available in <https://www.emerson.com/en-us/support>).

Fig. 2



5510260100

Fig. 1

