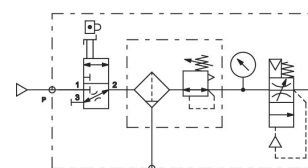


Air preparation unit, 3-part, Series 653

A653A0000000702

General series information
Series 653

- The AVENTICS Series 653 is an easy-to-install line of pneumatic filters, regulators and lubricators (FRLs) that offer the industry's highest flow rates and widest temperature ratings. Available in 1/2-inch, 3/4-inch, and 1-inch port sizes, these FRLs are ideal for automotive and tire, packaging, food and beverage, and process applications requiring highly reliable operation and robust, modern-looking equipment. Available with integrated redundant safe exhaust valve and IIoT enabled air flow sensor.



Technical data

Industry

Industrial

Parts

Air preparation units

Components

Shut-off valve

Filter pressure regulator

Filling valve

Reservoir

Reservoir polycarbonate

Port

G 3/4

Filter porosity

25 µm

Condensate drain

semi-automatic, open without pressure

Working pressure min.

3.8 bar

Working pressure max

10 bar

Min. ambient temperature

-10 °C

Max. ambient temperature

50 °C

Regulation range min.

0.5 bar

Regulation range max.

10 bar

Type

3-part

Type	Can be assembled into blocks
Medium	Compressed air Neutral gases

Material

Seal material	Nitrile butadiene rubber
Material condensate drain	Plastic
Part No.	A653A0000000702

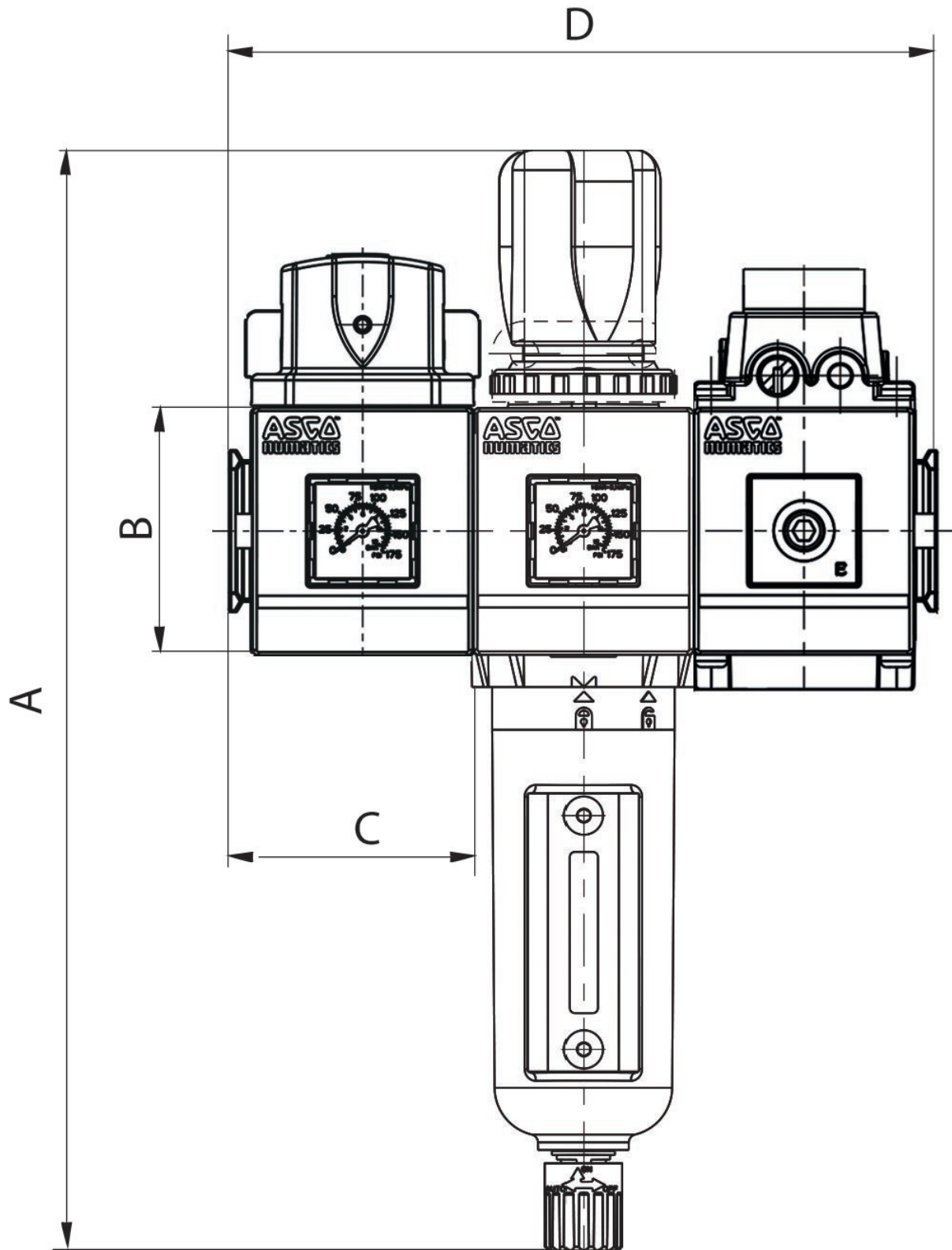
Technical information

The pressure dew point must be at least 15 °C less than ambient and medium temperature and may not exceed 3 °C.

The oil content of compressed air must remain constant during the life cycle.

Use only the approved oils from AVENTICS. Further information can be found in the “Technical information” document (available in <https://www.emerson.com/en-us/support>).

Dimensions



Series	653
A	340,2
B	93,6
C	90
D	270

Accessories overview

