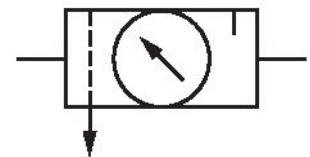


# Air preparation unit, 2-part, Series 653

A653A0000000600

## General series information Series 653

- The AVENTICS Series 653 is an easy-to-install line of pneumatic filters, regulators and lubricators (FRLs) that offer the industry's highest flow rates and widest temperature ratings. Available in 1/2-inch, 3/4-inch, and 1-inch port sizes, these FRLs are ideal for automotive and tire, packaging, food and beverage, and process applications requiring highly reliable operation and robust, modern-looking equipment. Available with integrated redundant safe exhaust valve and IIoT enabled air flow sensor.



## Technical data

Industry	Industrial
Parts	Air preparation units
Components	Filter pressure regulator Lubricator
Reservoir	Reservoir polycarbonate
Port	G 3/4
Filter porosity	25 µm
Condensate drain	semi-automatic, open without pressure
Working pressure min.	0 bar
Working pressure max.	10 bar
Min. ambient temperature	5 °C
Max. ambient temperature	50 °C
Regulation range min.	0.5 bar
Regulation range max.	10 bar
Type	2-part

Type Can be assembled into blocks

## Material

Housing material	Aluminum
Seal material	Nitrile butadiene rubber
Material reservoir	Polycarbonate
Material condensate drain	Plastic
Part No.	A653A0000000600

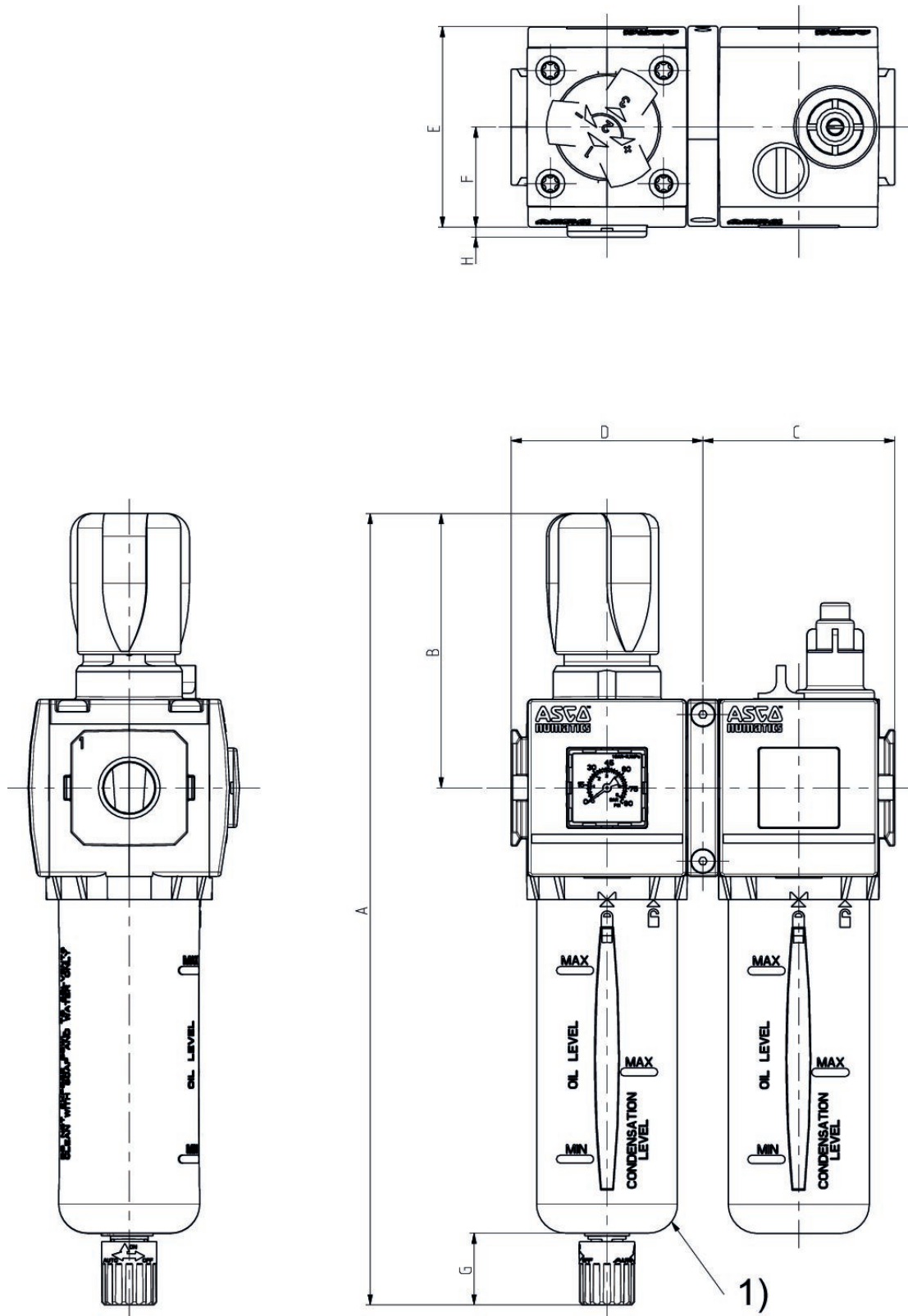
## Technical information

The pressure dew point must be at least 15 °C less than ambient and medium temperature and may not exceed 3 °C.

The oil content of compressed air must remain constant during the life cycle.

Use only the approved oils from AVENTICS. Further information can be found in the “Technical information” document (available in <https://www.emerson.com/en-us/support>).

## Dimensions



1) To remove the reservoir, allow a clearance of [[105] mm] from the bottom of the reservoir drain.

Series 653	
A	340,2
B	117,5
C	90
D	90
E	93,6
F	46,8
G	25
H	2,7

## Accessories overview

