

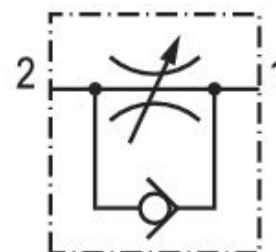
Check-choke valve, stainless steel, Series CC02-SL

R412004980

General series information

AVENTICS Series CC02 Check-choke valves

- The AVENTICS Series CC check-choke valves are designed for nominal flows from 70 to 1950 l/min. The different versions are available with a push-in fitting or internal thread.



Technical data

Industry	Industrial
Port 2	G 1/8
Throttle bore Ø	3 mm
direction of throttle	2 > 1
Nominal flow Qn 2 to 1	350 l/min
Compressed air connection type 2	External thread
Throttle	Exhaust Air Throttling
Medium	Compressed air
Working pressure min.	0.5 bar
Working pressure max	10 bar
Min. ambient temperature	-20 °C

Max. ambient temperature	150 °C
Min. medium temperature	-20 °C
Max. medium temperature	200 °C
Weight	0.018 kg

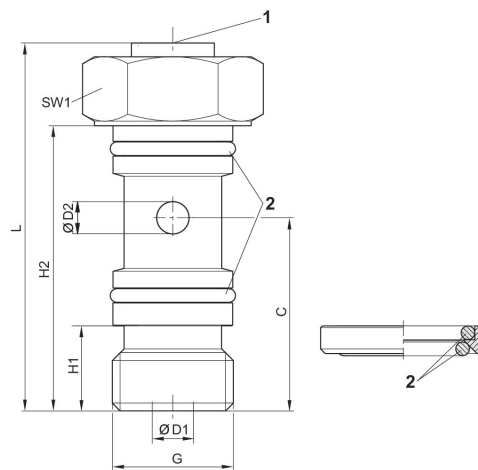
Material

Housing material	Stainless Steel
Material flow control screw	Stainless Steel
Seal material	Fluorocaoutchouc
Part No.	R412004980

Technical information

Only applicable in combination with banjo union (see accessories)

Dimensions



1) Slot in throttle screw 1 mm

2) Sealing ring

Part No.	G	Ø D1	Ø D2	H1	H2	L 1)	C	SW1
R412004980	G 1/8	3	3	7.8	25	32	17.5	14
R412004981	G 1/4	4.5	3.5	9.25	31	40	21	17

1) Max.