

Bus coupler, series AES

R412088225

AVENTICS
Series AES
Field bus
modules

2023-08-31

AVENTICS Series AES Field bus modules

The AVENTICS Series AES fieldbus connection can be integrated into all AVENTICS fieldbus-compatible valve systems or can also be configured as a stand-alone solution. AES connects your AVENTICS valve system to all relevant fieldbus protocols and offers the integration of I/O-modules and enables optimized decentralized wiring of sensors. The integration of the Digital Twin enables users to be IIoT ready and use the AES to solve their interoperability challenges.



Technical data

Industry	Industrial
Version	Bus coupler
Type	Generation 2
Fieldbus protocol	EtherCAT
E/A capable	connection with I/O
Number of I/O connections	512 inputs / 512 outputs
Power plug IN type	Plug
Power plug IN size	M12x1
Power plug IN number of pole	4-pin
Power plug IN coding	A-coded
Fieldbus design	D-design
Min. ambient temperature	-10 °C
Max. ambient temperature	60 °C
Number of solenoid coils max.	128
Max. number of valve positions	64
Operational voltage electronics	24 V DC
Electronics voltage tolerance	-25% / +25%
Current consumption electronics	0.1 A
Operating voltage, actuators	24 V DC

Bus coupler, series AES

R412088225

AVENTICS
Series AES
Field bus
modules

2023-08-31

Total output for valves	4 A
Protection class	IP65
Cycle time at 256 bits	< 1 ms
Logic/actuator voltage	Galvanically isolated
Diagnosis	System error Undervoltage
I/O module extension max.	10
Generic emission standard in accordance with norm	EN 61000-6-4
Generic immunity standard in accordance with norm	EN 61000-6-2
Communication port Type	Socket
Communication port, Thread size	M12x1
Communication port, Number of poles	4-pin
Communication port, Coding	D-coded
Communication port 2	Socket
Communication port 2	M12x1
Communication port 2	4-pin
Communication port 2	D-coded
Weight	0.175 kg

Material

Housing material	Polyamide fiber-glass reinforced
Part No.	R412088225

Technical information

You will find assignment schemes for the product in the operating instructions, or contact the nearest AVENTICS sales office.

Voltage and short-circuit monitoring per LED.

During cyclical data transfer, the bus coupler can send 512 bits of input data to the controller and receive 512 bits of output data from the controller.

Scope of delivery: Incl. mounting screws 3x

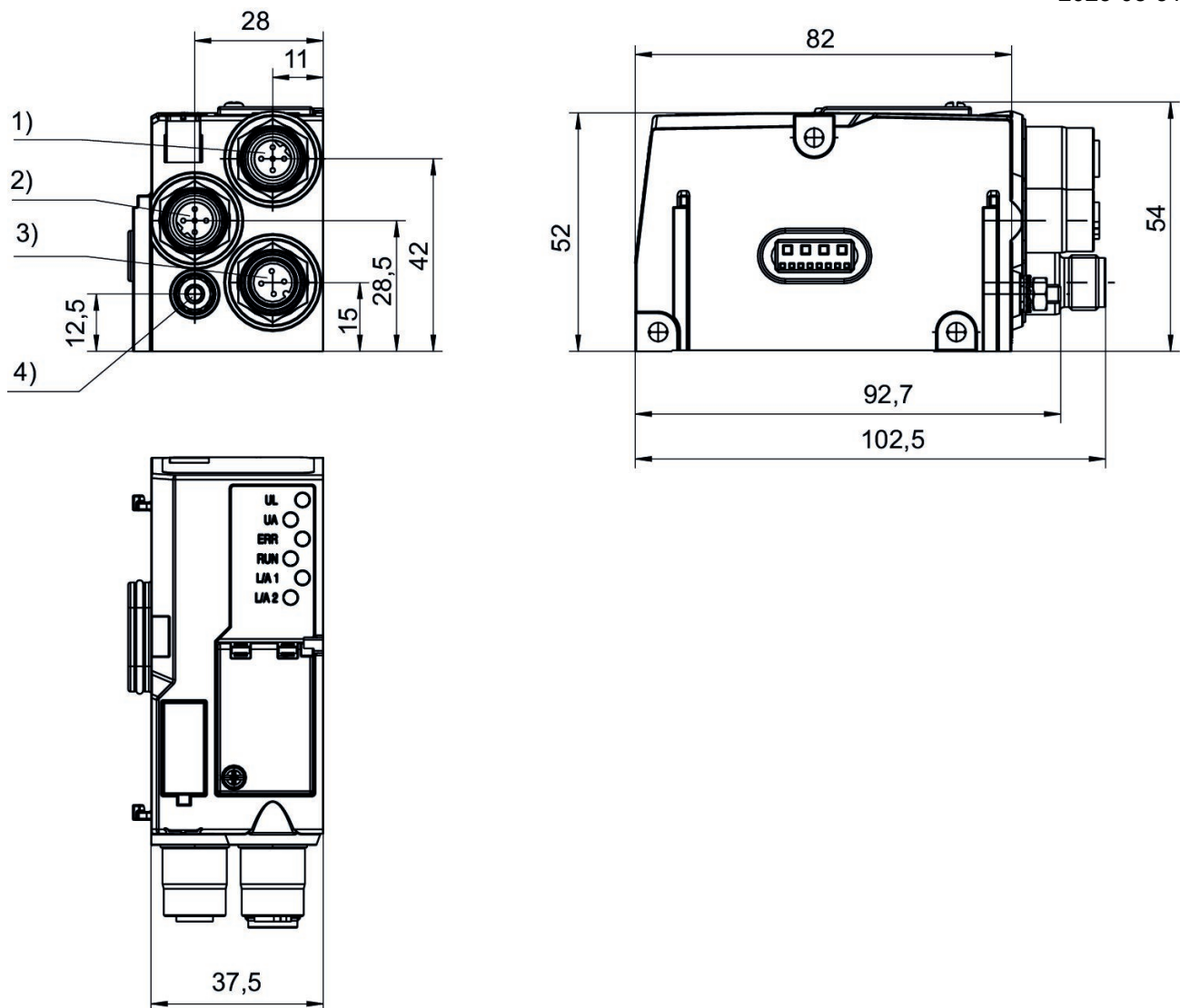
Bus coupler, series AES

R412088225

AVENTICS
Series AES
Field bus
modules

2023-08-31

Dimensions



1) Fieldbus connection 2) Fieldbus connection 3) Power supply 4) Functional ground