

# I/O modules, series AES

R412018242

AVENTICS  
Series AES  
Field bus  
modules

2023-08-31

## AVENTICS Series AES Field bus modules

The AVENTICS Series AES fieldbus connection can be integrated into all AVENTICS fieldbus-compatible valve systems or can also be configured as a stand-alone solution. AES connects your AVENTICS valve system to all relevant fieldbus protocols and offers the integration of I/O-modules and enables optimized decentralized wiring of sensors. The integration of the Digital Twin enables users to be IIoT ready and use the AES to solve their interoperability challenges.



## Technical data

|   |                          |
|---|--------------------------|
| Industry  | Industrial               |
| Version   | I/O modules              |
| Type  | 16DI48SC                 |
| E/A capable                                       | connection with I/O      |
| I/O module version                                | digital inputs           |
| Number of I/O connections                         | 16 inputs                |
| Power plug IN type                                | Internal                 |
| Signal connection E/A type                        | Spring clamp connections |
| Filter time                                       | 3 ms                     |
| Min. ambient temperature                          | -10 °C                   |
| Max. ambient temperature                          | 60 °C                    |
| Operational voltage electronics                   | 24 V DC                  |
| Electronics voltage tolerance                     | -25% / +25%              |
| Protection class                                  | IP20                     |
| Total current of sensors max.                     | 1 A                      |
| Logic/actuator voltage                            | Galvanically isolated    |
| Diagnosis   | Short circuit            |
| Generic emission standard in accordance with norm | EN 61000-6-4             |

# I/O modules, series AES

R412018242

AVENTICS  
Series AES  
Field bus  
modules

2023-08-31

Generic immunity standard in accordance with norm EN 61000-6-2

---

Weight 0.115 kg

## Material

Housing material Polyamide fiber-glass reinforced

Part No. R412018242

## Technical information

You will find assignment schemes for the product in the operating instructions, or contact the nearest AVENTICS sales office.

Voltage and short-circuit monitoring per LED.

The clamp area for stranded wires is between 0.2 and 1.5 mm<sup>2</sup>.

Delivery contents: incl. 2 spring clamp elements and seal

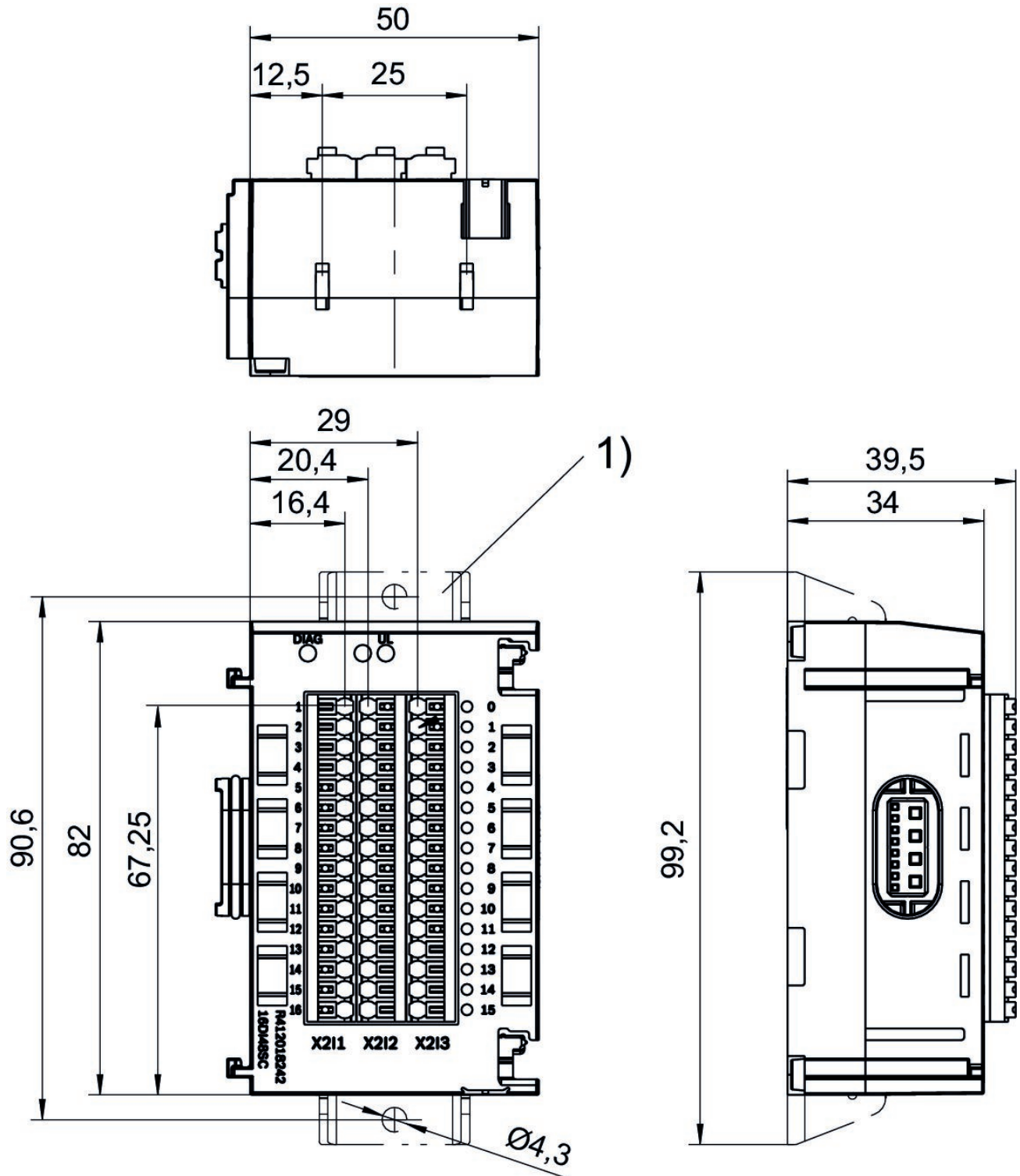
# I/O modules, series AES

R412018242

AVENTICS  
Series AES  
Field bus  
modules

2023-08-31

## Dimensions



1) Retaining bracket (optional)

# I/O modules, series AES

R412018242

AVENTICS  
Series AES  
Field bus  
modules

2023-08-31

| Port | Contact | Function Input signal |
|------|---------|-----------------------|
| X2I1 | 1       | 24 V DC bit 0.0       |
|      | 2       | 24 V DC bit 0.1       |
|      | 3       | 24 V DC bit 0.2       |
|      | 4       | 24 V DC bit 0.3       |
|      | 5       | 24 V DC bit 0.4       |
|      | 6       | 24 V DC bit 0.5       |
|      | 7       | 24 V DC bit 0.6       |
|      | 8       | 24 V DC bit 0.7       |
|      | 9       | 24 V DC bit 1.0       |
|      | 10      | 24 V DC bit 1.1       |
|      | 11      | 24 V DC bit 1.2       |
|      | 12      | 24 V DC bit 1.3       |
|      | 13      | 24 V DC bit 1.4       |
|      | 14      | 24 V DC bit 1.5       |
|      | 15      | 24 V DC bit 1.6       |
|      | 16      | 24 V DC bit 1.7       |
| X2I2 | 1-16    | 24 V DC               |
| X2I3 | 1-16    | 0 V DC                |