

# I/O modules, series AES

R412018243

AVENTICS  
Series AES  
Field bus  
modules

2023-08-31

## AVENTICS Series AES Field bus modules

The AVENTICS Series AES fieldbus connection can be integrated into all AVENTICS fieldbus-compatible valve systems or can also be configured as a stand-alone solution. AES connects your AVENTICS valve system to all relevant fieldbus protocols and offers the integration of I/O-modules and enables optimized decentralized wiring of sensors. The integration of the Digital Twin enables users to be IIoT ready and use the AES to solve their interoperability challenges.



## Technical data

Industry	Industrial
Version	I/O modules
Type	16DI4M12
E/A capable	connection with I/O
I/O module version	digital inputs
Number of I/O connections	16 inputs
Power plug IN type	Internal
Signal connection E/A type	Socket
Signal connection E/A thread size	M12x1
Signal connection E/A number of poles	8-pin
Filter time	3 ms
Min. ambient temperature	-10 °C
Max. ambient temperature	60 °C
Operational voltage electronics	24 V DC
Electronics voltage tolerance	-25% / +25%
Protection class	IP65
Total current of sensors max.	1 A
Logic/actuator voltage	Galvanically isolated
Diagnosis	Short circuit

# I/O modules, series AES

R412018243

AVENTICS  
Series AES  
Field bus  
modules

2023-08-31

Generic emission standard in accordance with norm EN 61000-6-4

---

Generic immunity standard in accordance with norm EN 61000-6-2

Weight 0.11 kg

## Material

Housing material Polyamide fiber-glass reinforced

Part No. R412018243

## Technical information

You will find assignment schemes for the product in the operating instructions, or contact the nearest AVENTICS sales office.

The total current of all outputs (including valves) must not exceed 4 A in the overall system.

Voltage and short-circuit monitoring per LED.

Delivery contents: incl. 2 spring clamp elements and seal

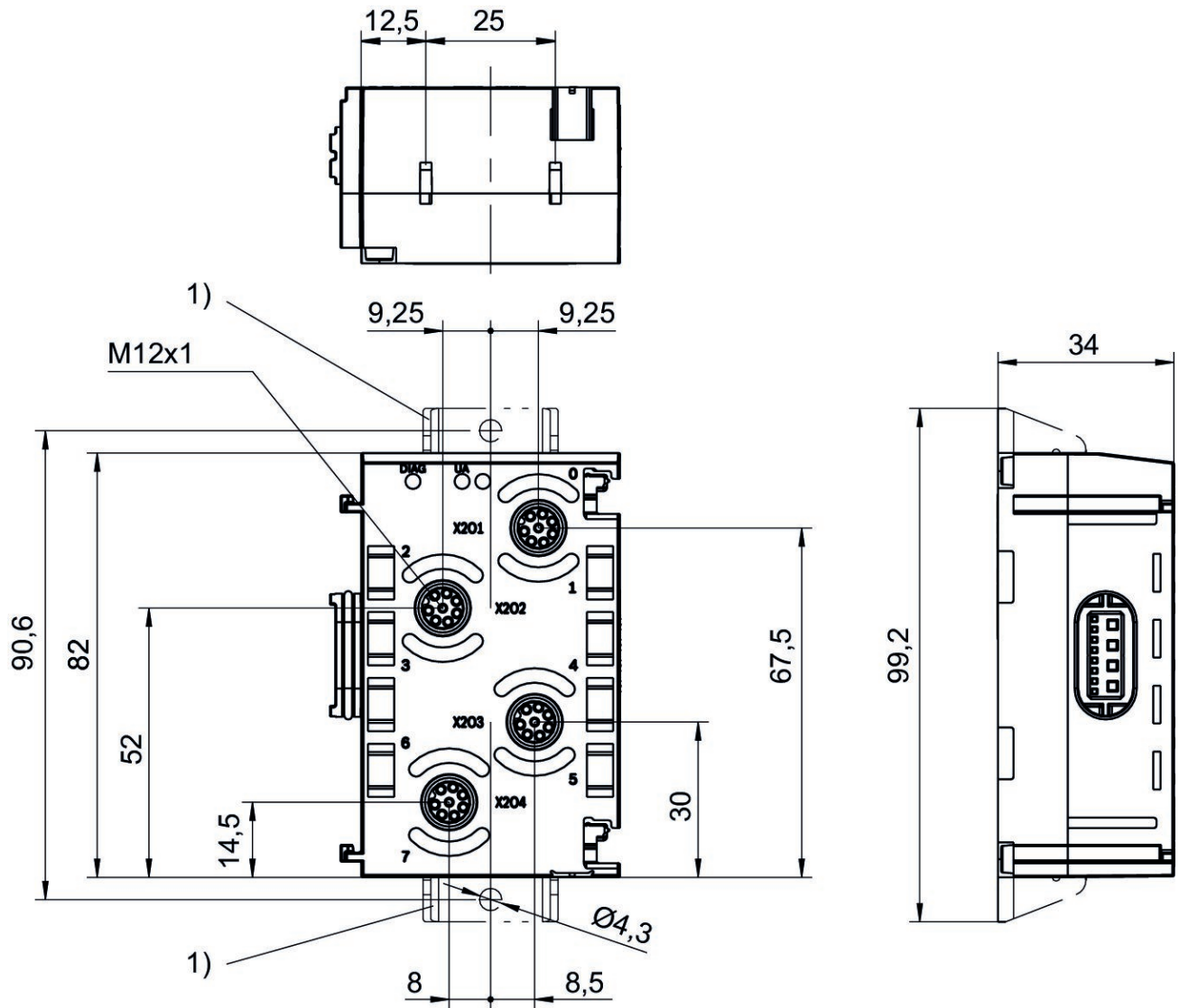
# I/O modules, series AES

R412018243

AVENTICS  
Series AES  
Field bus  
modules

2023-08-31

## Dimensions



1) Retaining bracket (optional)

# I/O modules, series AES

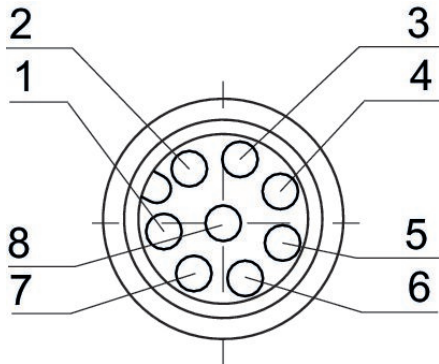
R412018243

AVENTICS  
Series AES  
Field bus  
modules

## Pin assignments

PNP

2023-08-31



Pin	Input module	Output module
1	Input signal [X]	Output signal 24 V DC [X]
2	Input signal [X+1]	Output signal 24 V DC [X+1]
3	Input signal [X+2]	Output signal 24 V DC [X+2]
4	Input signal [X+3]	Output signal 24 V DC [X+3]
5	24 V DC	-
6	-	-
7	0 V DC	0 V DC
8	-	-
X = bit value		

X = bit value