

I/O modules, series AES

R412018287

AVENTICS
Series AES
Field bus
modules

2023-08-31

AVENTICS Series AES Field bus modules

The AVENTICS Series AES fieldbus connection can be integrated into all AVENTICS fieldbus-compatible valve systems or can also be configured as a stand-alone solution. AES connects your AVENTICS valve system to all relevant fieldbus protocols and offers the integration of I/O-modules and enables optimized decentralized wiring of sensors. The integration of the Digital Twin enables users to be IIoT ready and use the AES to solve their interoperability challenges.



Technical data

Industry

Industrial

Version

I/O modules

Type

2AI2AO2M12-AE

E/A capable

connection with I/O

I/O module version

analog inputs/outputs

Number of I/O connections

2 inputs / 2 outputs

Power plug IN type

Plug

Power plug IN size

M12x1

Power plug IN number of pole

4-pin

Signal connection E/A type

Socket

Signal connection E/A thread size

M12x1

Signal connection E/A number of poles

5-pin

Signal connection E/A coding

A-coded

Analog inputs

0 - 10 V / ± 10 V

2 - 10 V / ± 10 V

0 - 20 mA / ± 20 mA

4 - 20 mA / ± 20 mA

Analog outputs

0 - 10 V / ± 10 V

0 ... 20 mA

4 ... 20 mA

I/O modules, series AES

R412018287

AVENTICS
Series AES
Field bus
modules

2023-08-31

Min. ambient temperature	-10 °C
Max. ambient temperature	60 °C
Operational voltage electronics	24 V DC
Electronics voltage tolerance	-25% / +25%
Max. current per channel	1.2 A
Protection class	IP65
Logic/actuator voltage	Galvanically isolated
Diagnosis	Short circuit Undervoltage
Generic emission standard in accordance with norm	EN 61000-6-4
Generic immunity standard in accordance with norm	EN 61000-6-2
Weight	0.11 kg

Material

Housing material	Polyamide fiber-glass reinforced
Part No.	R412018287

Technical information

You will find assignment schemes for the product in the operating instructions, or contact the nearest AVENTICS sales office.

The total current of all outputs (including valves) must not exceed 4 A in the overall system.
Suitable for direct connection of an electropneumatic pressure regulator from the ED series.

Delivery contents: incl. 2 spring clamp elements and seal
freely selectable signals, configurable

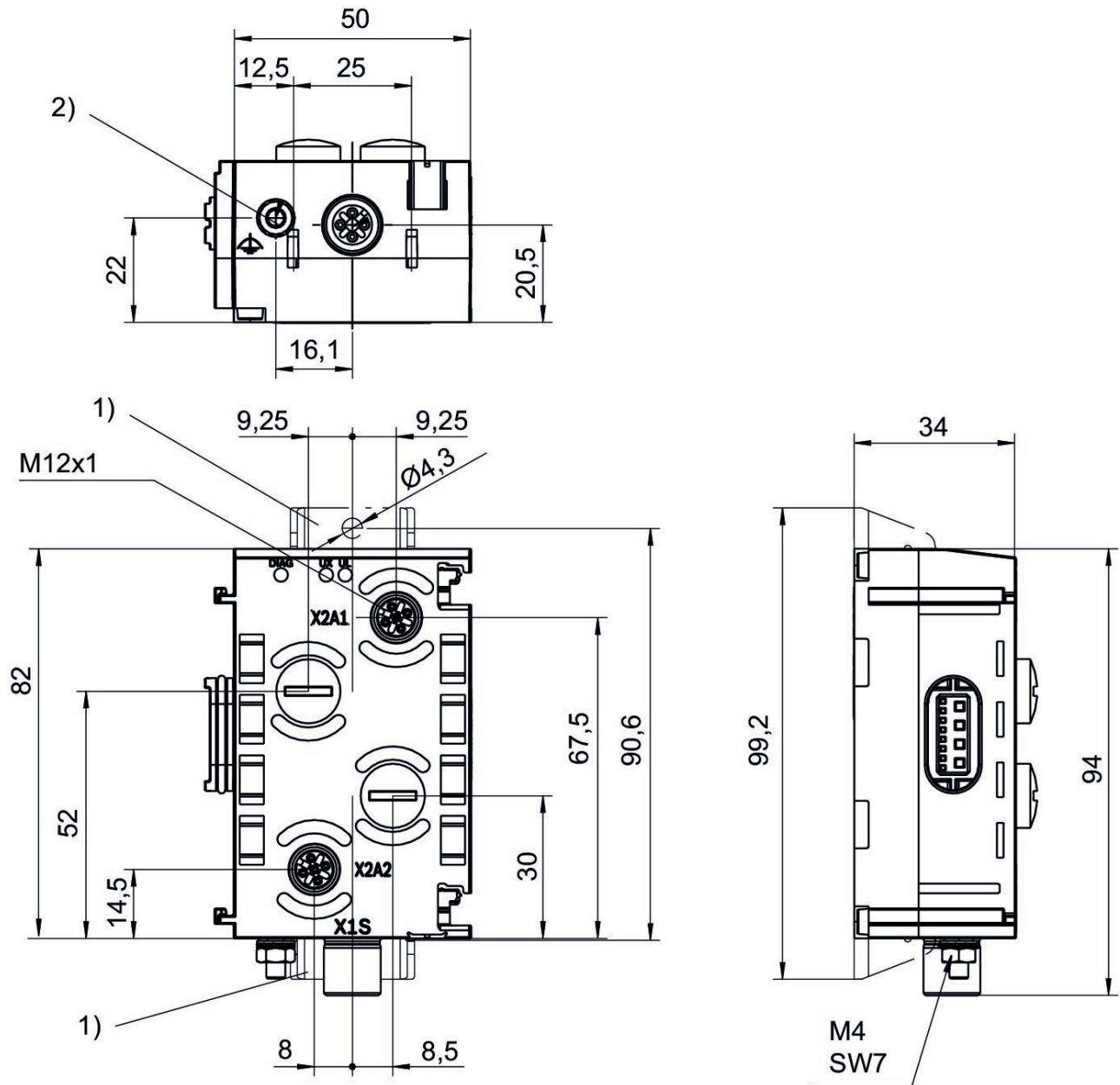
I/O modules, series AES

R412018287

AVENTICS
Series AES
Field bus
modules

2023-08-31

Dimensions



- 1) Retaining bracket (optional)
- 2) Ground

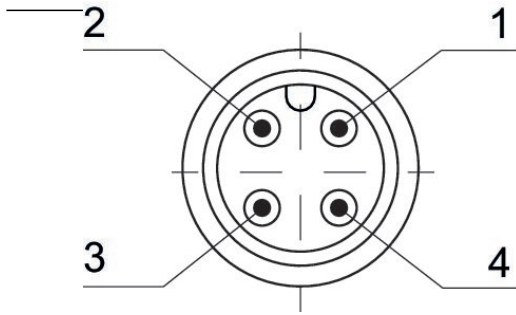
I/O modules, series AES

R412018287

AVENTICS
Series AES
Field bus
modules

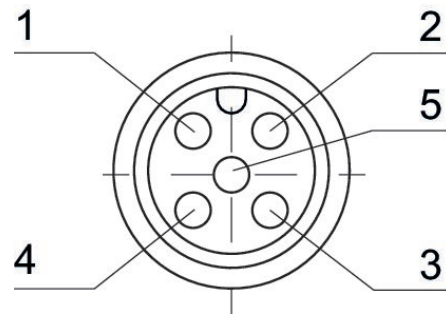
2023-08-31

Plug (male)



Pin assignments

Socket (female)



Pin	Socket (female) X2A1 - X2A2	Plug (male) X1S
1	24 V DC	-
2	Output signal	24 V DC
3	0 V DC	-
4	Input signal	0 V DC
5	Shield, connected internally with ground screw 2)	-