

I/O modules, series AES

R412018269

AVENTICS
Series AES
Field bus
modules

2023-08-31

AVENTICS Series AES Field bus modules

The AVENTICS Series AES fieldbus connection can be integrated into all AVENTICS fieldbus-compatible valve systems or can also be configured as a stand-alone solution. AES connects your AVENTICS valve system to all relevant fieldbus protocols and offers the integration of I/O-modules and enables optimized decentralized wiring of sensors. The integration of the Digital Twin enables users to be IIoT ready and use the AES to solve their interoperability challenges.



Technical data

Industry	Industrial
Version	I/O modules
Type	8DIDO8M8
Note	Combination module
E/A capable	connection with I/O
I/O module version	digital inputs/outputs
Number of I/O connections	8 inputs / 8 outputs
Power plug IN type	Internal
Signal connection E/A type	Socket
Signal connection E/A thread size	M8x1
Signal connection E/A number of poles	3-pin
Filter time	3 ms
Min. ambient temperature	-10 °C
Max. ambient temperature	60 °C
Operational voltage electronics	24 V DC
Electronics voltage tolerance	-25% / +25%
Max. current per channel	0.5 A
Protection class	IP65
Total current of sensors max.	1 A

I/O modules, series AES

R412018269

AVENTICS
Series AES
Field bus
modules

Diagnosis	Short circuit Undervoltage	2023-08-31
Generic emission standard in accordance with norm	EN 61000-6-4	
Generic immunity standard in accordance with norm	EN 61000-6-2	
Weight	0.11 kg	

Material

Housing material	Polyamide fiber-glass reinforced
Part No.	R412018269

Technical information

You will find assignment schemes for the product in the operating instructions, or contact the nearest AVENTICS sales office.

The total current of all outputs (including valves) must not exceed 4 A in the overall system.

Voltage and short-circuit monitoring per LED.

Delivery contents: incl. 2 spring clamp elements and seal

Function specification for fieldbus configuration.

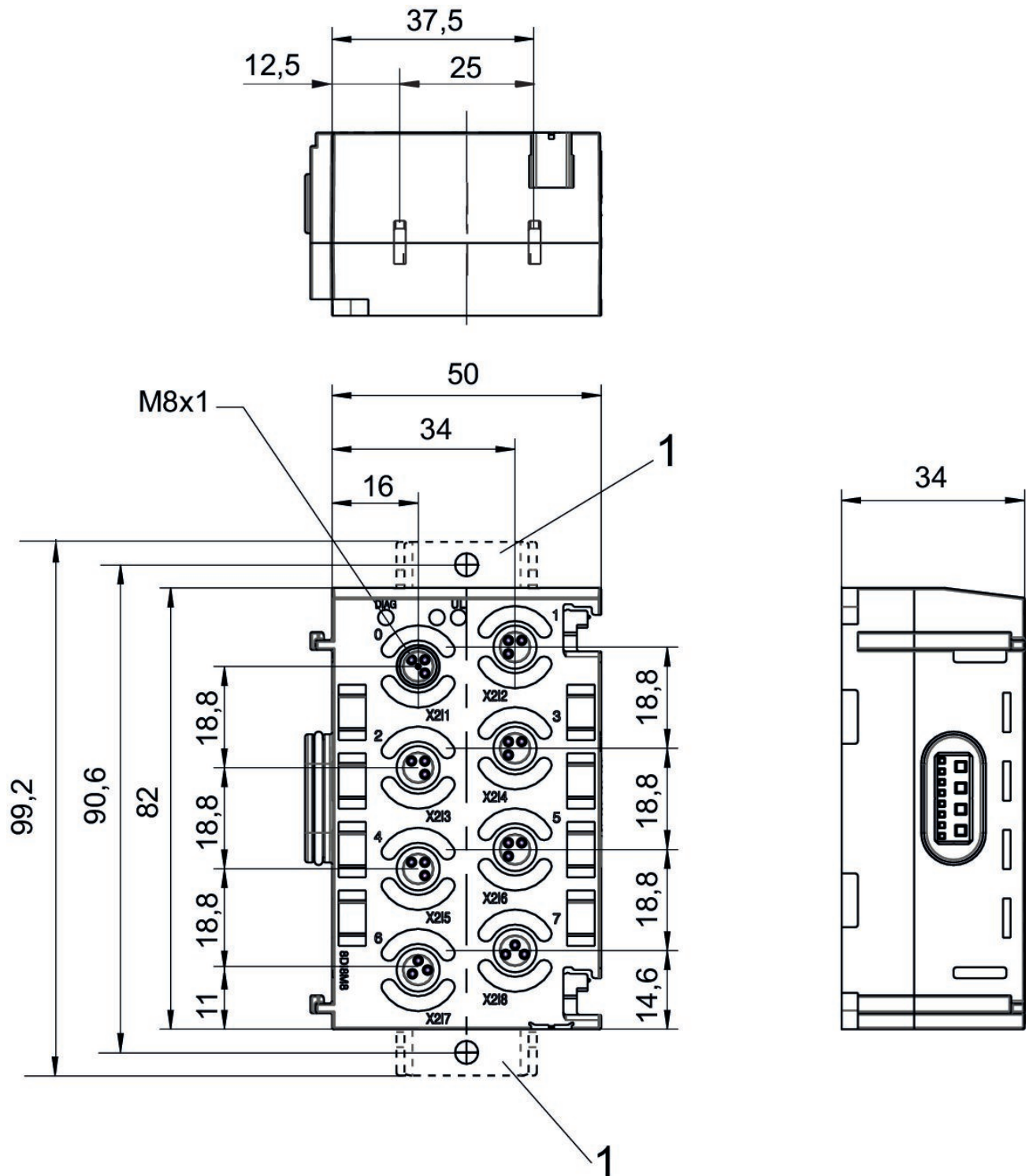
I/O modules, series AES

R412018269

AVENTICS
Series AES
Field bus
modules

2023-08-31

Dimensions



1) Retaining bracket (optional)
Pin assignment M8x1 (3-pin)

I/O modules, series AES

R412018269

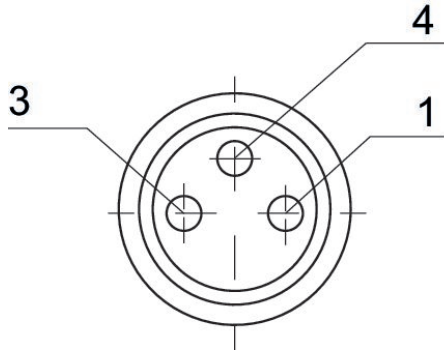
AVENTICS
Series AES
Field bus
modules

Pin assignments

PNP

2023-08-31

3-pin



Pin	Input module	Output module
1	24 V DC	-
3	0 V DC	0 V DC
4	Input signal	Output signal