

Power module Series AES

R412018272

AVENTICS
Series AES
Field bus
modules

2023-08-31

AVENTICS Series AES Field bus modules

The AVENTICS Series AES fieldbus connection can be integrated into all AVENTICS fieldbus-compatible valve systems or can also be configured as a stand-alone solution. AES connects your AVENTICS valve system to all relevant fieldbus protocols and offers the integration of I/O-modules and enables optimized decentralized wiring of sensors. The integration of the Digital Twin enables users to be IIoT ready and use the AES to solve their interoperability challenges.



Technical data

Industry	Industrial
Version	Power module connection with I/O
E/A capable	Plug
Power plug IN type	7/8"-16UNF
Power plug IN size	5-pin
Power plug IN number of pole	Socket
Power plug OUT type	7/8"-16UNF
Power plug OUT size	5-pin
Power plug OUT number of pole	left, right
Power supply direction UA/UL	-10 °C
Min. ambient temperature	60 °C
Max. ambient temperature	24 V DC
Operational voltage electronics	-25% / +25%
Electronics voltage tolerance	24 V DC
Operating voltage, actuators	-10% / +10%
Actuator voltage tolerance	4 A
Total output for valves	IP65
Protection class	4 A
Total current of sensors max.	

Power module Series AES

R412018272

AVENTICS
Series AES
Field bus
modules

2023-08-31

Logic/actuator voltage	Galvanically isolated
Diagnosis	Undervoltage
Generic emission standard in accordance with norm	EN 61000-6-4
Generic immunity standard in accordance with norm	EN 61000-6-2
Weight	0.15 kg

Material

Housing material	Polyamide fiber-glass reinforced
Part No.	R412018272

Technical information

You will find assignment schemes for the product in the operating instructions, or contact the nearest AVENTICS sales office.

The supply voltage from X1S1 is available at X1S2 (without modification)

The total internal current (UA or UL) and consumption at X1S2 must not exceed 8A at X1S1.

UL: Logic voltage (power supply for electronic components and sensors)

UA: Actuator voltage (power supply for valves and outputs)

If connection 2 is not used for forwarding, it must be closed with sealing cap R412024838.

Power plug X1S on the bus coupler must be closed with sealing cap R412024837.

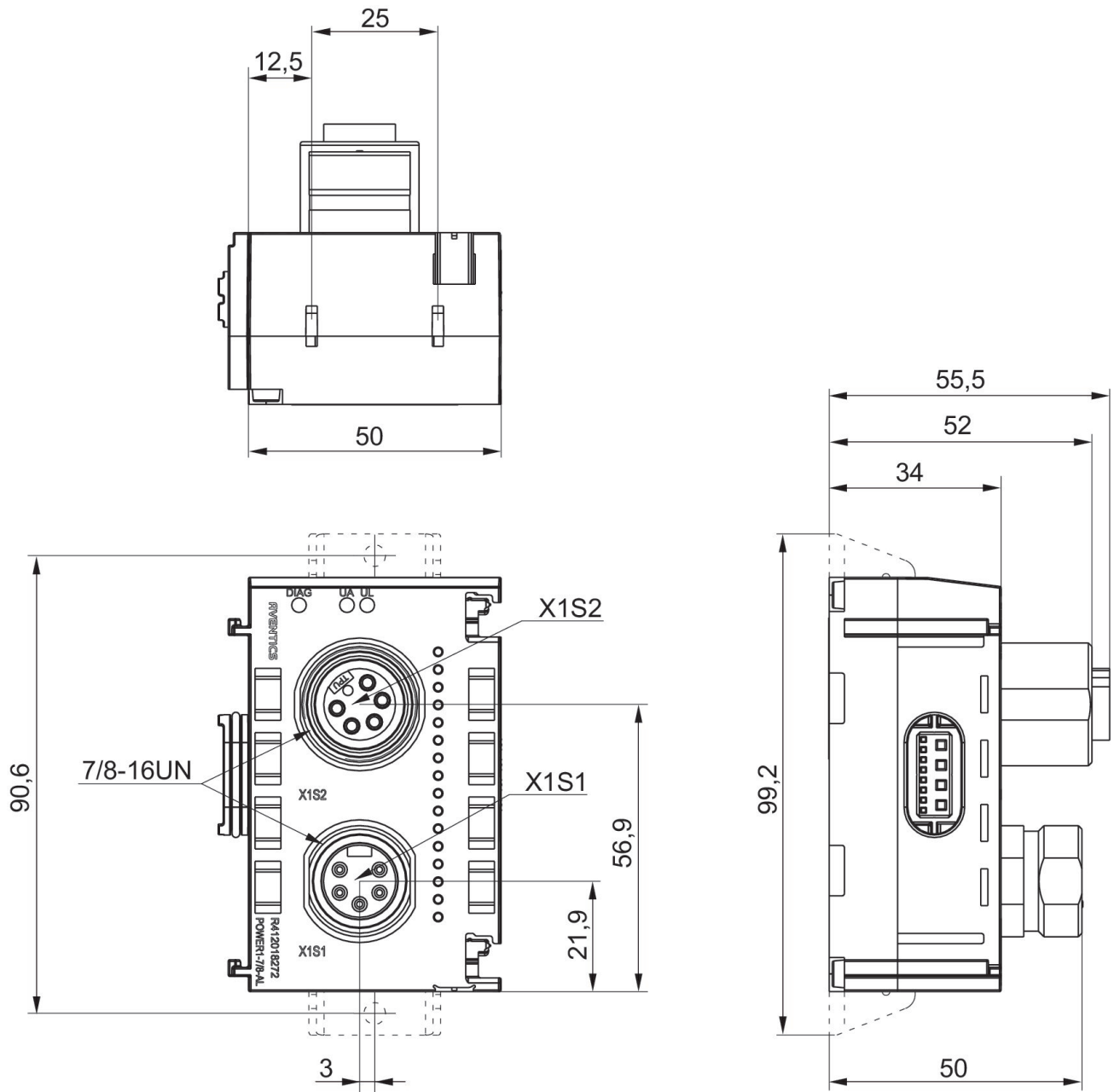
Power module Series AES

R412018272

AVENTICS
Series AES
Field bus
modules

2023-08-31

Dimensions



Port 1, X1S1
Port 2, X1S2

Power module Series AES

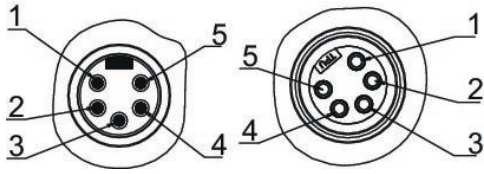
R412018272

AVENTICS
Series AES
Field bus
modules

Pin assignments

PNP

2023-08-31



Pin	Plug X1S1	Socket X1S2
1	0 V DC (UA)	0 V DC (UA)
2	0 V DC (UL)	0 V DC (UL)
3	FE	FE
4	24 V DC power supply (UL) input	24 V DC power supply (UL) output
5	24 V DC power supply (UA) input	24 V DC power supply (UA) output