

- Smallest dimensions
- Protection class IP65
- Special I/O-modules for pneumatic applications
- Optimized wiring
- OPC UA integration allows for easy access to data and analytics without changing or touching the PLC
- The integrated Digital Twin improves your productivity and efficiency

## AVENTICS Series AES Field bus modules

The AVENTICS Series AES fieldbus connection can be integrated into all AVENTICS fieldbus-compatible valve systems or can also be configured as a stand-alone solution. AES connects your AVENTICS valve system to all relevant fieldbus protocols and offers the integration of I/O-modules and enables optimized decentralized wiring of sensors. The integration of the Digital Twin enables users to be IIoT ready and use the AES to solve their interoperability challenges.



## Technical data

Industry	Industrial
Version	Power module connection with I/O
E/A capable	Plug
Power plug IN, Type	M12x1
Power plug IN size , Thread size	4-pin
Power plug IN, Number of poles	left
Power supply direction UA	-10 °C
Min. ambient temperature	60 °C
Max. ambient temperature	24 V DC
Operational voltage electronics	-25 % / +25 %
Electronics voltage tolerance	24 V DC
Operating voltage, actuators	-10 % / +10 %
Actuator voltage tolerance	4 A
Total output for valves	IP65
Protection class	4 A
Max. total current of sensors	Galvanically isolated
Logic/actuator voltage	Undervoltage
Diagnosis	EN 61000-6-4
Generic emission standard in accordance with norm	

# Power module Series AES

R412018267

Series AES

2024-11-29

---

Generic immunity standard in accordance with norm EN 61000-6-2

Weight 0.15 kg

## Material

Housing material Polyamide fiber-glass reinforced

Part No. R412018267

## Technical information

You will find assignment schemes for the product in the operating instructions, or contact the nearest AVENTICS sales office.

UL: Logic voltage (power supply for electronic components and sensors)

UA: Actuator voltage (power supply for valves and outputs)

The supply voltage is galvanically isolated from the right-hand module.

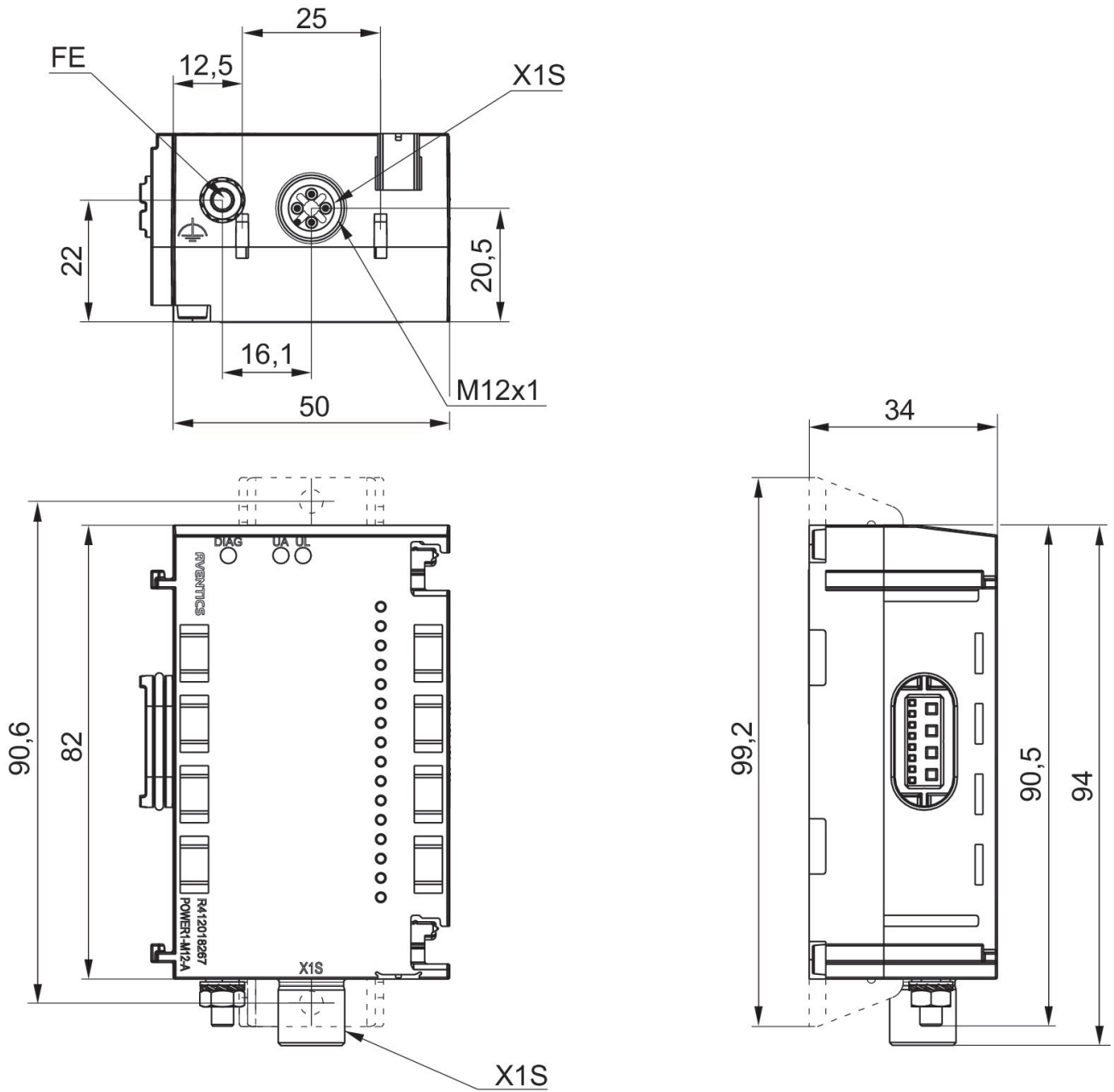
# Power module Series AES

R412018267

Series AES

2024-11-29

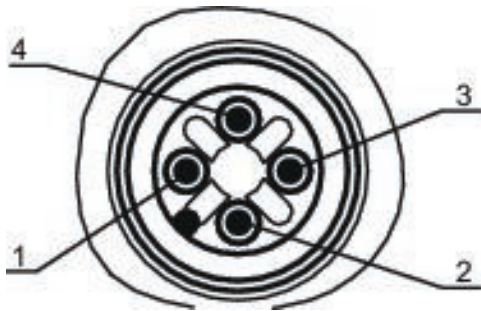
## Dimensions



Port 1, X1S

## Pin assignments

PNP



Pin	R412018267 (UA)	R412018268 (UL)
1	-	24 V DC power supply (UL) input
2	24 V DC power supply (UA) input	-
3	-	0 V DC (UL)
4	0 V DC (UA)	-