

- Smallest dimensions
- Protection class IP65
- Special I/O-modules for pneumatic applications
- Optimized wiring
- OPC UA integration allows for easy access to data and analytics without changing or touching the PLC
- The integrated Digital Twin improves your productivity and efficiency

AVENTICS Series AES Field bus modules

The AVENTICS Series AES fieldbus connection can be integrated into all AVENTICS fieldbus-compatible valve systems or can also be configured as a stand-alone solution. AES connects your AVENTICS valve system to all relevant fieldbus protocols and offers the integration of I/O-modules and enables optimized decentralized wiring of sensors. The integration of the Digital Twin enables users to be IIoT ready and use the AES to solve their interoperability challenges.



Technical data

Industry	Industrial
Version	Power module connection with I/O
E/A capable	Plug
Power plug IN, Type	M12x1
Power plug IN size , Thread size	4-pin
Power plug IN, Number of poles	left
Power supply direction UL	-10 °C
Min. ambient temperature	60 °C
Max. ambient temperature	24 V DC
Operational voltage electronics	-25 % / +25 %
Electronics voltage tolerance	24 V DC
Operating voltage, actuators	-10 % / +10 %
Actuator voltage tolerance	4 A
Total output for valves	IP65
Protection class	4 A
Max. total current of sensors	Galvanically isolated
Logic/actuator voltage	Undervoltage
Diagnosis	EN 61000-6-4
Generic emission standard in accordance with norm	

Power module Series AES

R412018268

Series AES

2024-11-29

Generic immunity standard in accordance with norm EN 61000-6-2

Weight 0.15 kg

Material

Housing material Polyamide fiber-glass reinforced

Part No. R412018268

Technical information

You will find assignment schemes for the product in the operating instructions, or contact the nearest AVENTICS sales office.

UL: Logic voltage (power supply for electronic components and sensors)

UA: Actuator voltage (power supply for valves and outputs)

The supply voltage is galvanically isolated from the right-hand module.

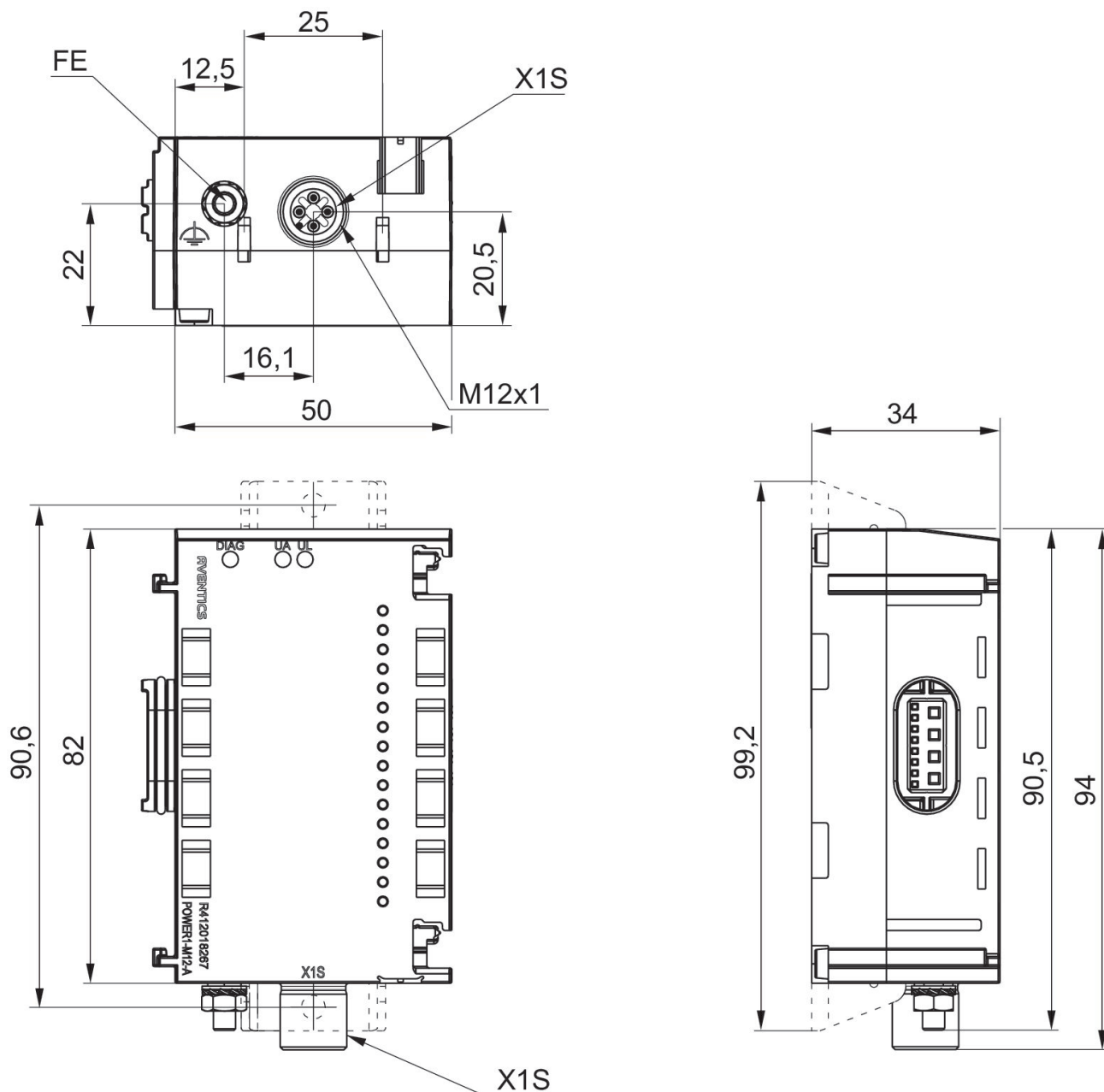
Power module Series AES

R412018268

Series AES

2024-11-29

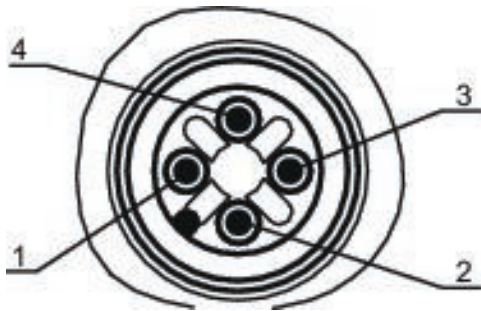
Dimensions



Port 1, X1S

Pin assignments

PNP



Pin	R412018267 (UA)	R412018268 (UL)
1	-	24 V DC power supply (UL) input
2	24 V DC power supply (UA) input	-
3	-	0 V DC (UL)
4	0 V DC (UA)	-