

## Series AF2

The pressure dew point must be at least 15 °C below the ambient and medium temperatures and must not exceed 3 °C. The protection class is only ensured when the plug is mounted properly. See the operating instructions for further information. If not separated sufficiently, drifting may result. Precision: Standard measurement range:  $\pm 4$  % of measured value, + 0.5 % of final value. Extended measurement range:  $\pm 8$  % of measured value, + 1 % of final value.



## Technical data

Industry

Industrial

Note

Output signal: 1 analog output 4 mA ... 20 mA + 1 digital/analog output (PNP, NPN, push-pull, 4 mA ... 20 mA/switchable) + 1 digital output (PNP, NPN, push-pull, switchable), IO-Link V1.1 (COM3/230K4 baud)

Without mounting

Frame size

652

Switching principle

Flow measuring principle: calorimetric

Protocol

IO-Link

Analog

Nominal flow

1630 l/min

Nominal flow Qn min., standard

8 l/min

Nominal flow Qn max., standard

1630 l/min

Nominal flow Qn min., extended

1630 l/min

Nominal flow Qn max., extended

2445 l/min

Compressed air connection

1/2 NPT

Certificates

CE declaration of conformity

RoHS

UL (Underwriters Laboratories)

Min. working pressure

0 bar

Max. working pressure

16 bar

Min. ambient temperature

-20 °C

Max. ambient temperature

50 °C

Min. medium temperature

-20 °C

# Series AF2 flow rate sensor, IO-Link

652

8652AVBP4JA000N

2024-03-04

---

Max. medium temperature	50 °C
Medium	Compressed air Argon Nitrogen Carbon dioxide
Filter porosity	5 µm
Display	OLED
Flow display unit	l/sec l/min m <sup>3</sup> /min m <sup>3</sup> /h ft <sup>3</sup> /s m <sup>3</sup> /min
Pressure display unit	bar psi
Temperature display unit	°C °F
Electrical connection 2, type	Plug
Electrical connection 2, thread size	M12x1
Electrical connection 2, number of poles	5-pin
Electrical connection 2, coding	A-coded
Output signal	PNP, NPN, push-pull, 1x IO-Link
Output signal digital	PNP/NPN/push-pull, switchable
Output signal analog	4 ... 20 mA
Max. power consumption	12 W
Operational voltage	17-30 V DC
Min. operating voltage DC	17 V DC
Max. operating voltage DC	30 V DC
Response time	< 0.3 s
Short circuit resistance	short circuit resistant
Max. shock resistance	30 g, 11 ms
Vibration resistance	1 g (10 - 2000 Hz) IEC 60068 - 2-6
Reproducibility	± 1.5% of the measured value
Protection class	IP65 IP67 according to IEC 60529
Weight	0.73 kg

## Material

Housing material	Polyamide Polycarbonate Aluminum
Seal material filter	Nitrile butadiene rubber
Seal material sensor	Fluorocarbon caoutchouc
Part No.	8652AVBP4JA000N

## Technical information

The pressure dew point must be at least 15 °C less than ambient and medium temperature and may not exceed 3 °C.

The protection class is only ensured when the plug is mounted properly. For detailed information, see operating instructions.

The device is designed to be installed in AS series air preparation units or to be fitted as a stand-alone device using a W05 block assembly kit.

Liquid oil or water must be separated via prefiltering. If it is not separated sufficiently, drifting may result.

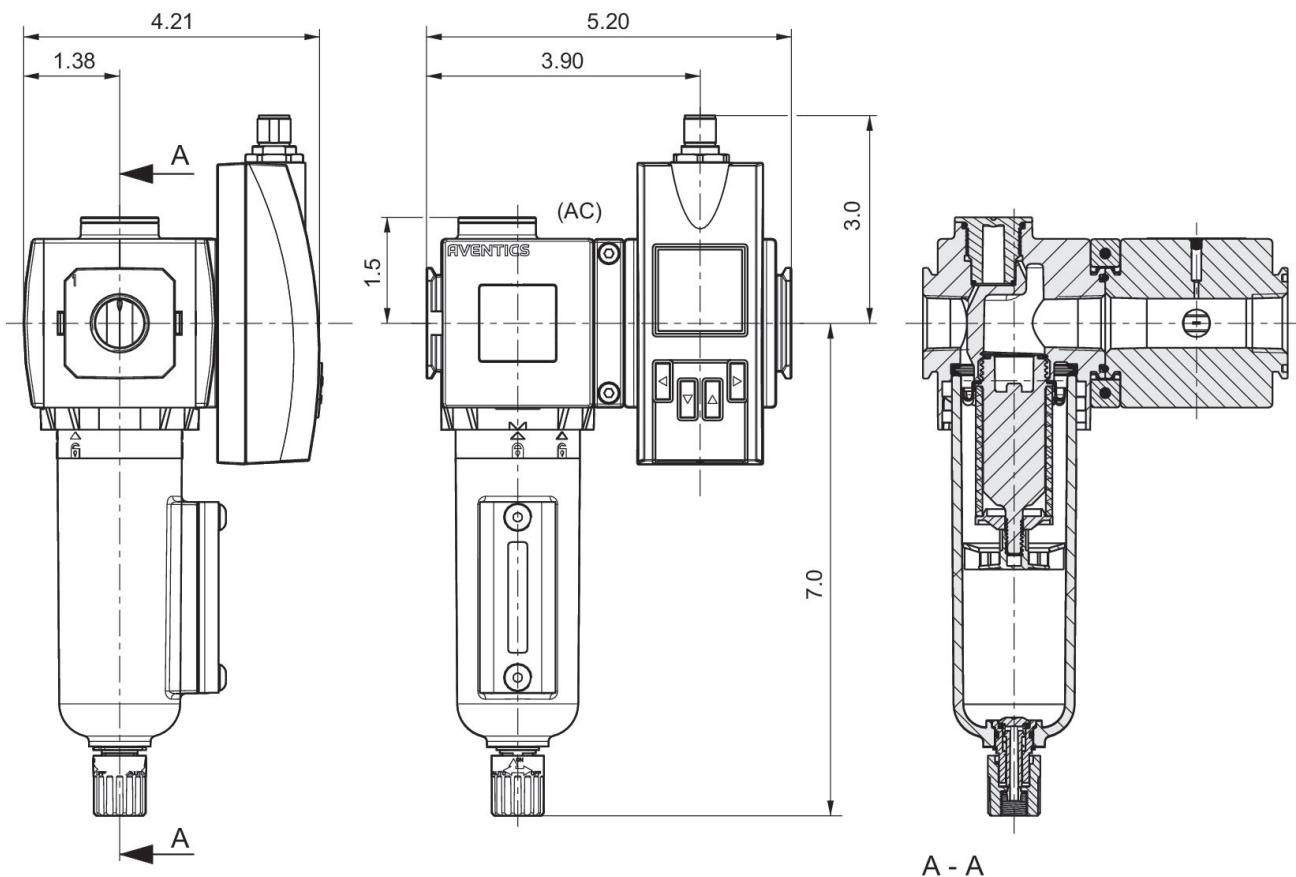
5 microns -  $\pm 4\%$  of measured value + 0.5% of standard full scale  $\pm 8\%$  of measured value + 1% of extended full scale

The pressure dew point must be at least 15 °C less than ambient and medium temperature and may not exceed 3 °C.

The oil content of compressed air must remain constant during the life cycle.

Use only the approved oils from AVENTICS. Further information can be found in the "Technical information" document (available in <https://www.emerson.com/en-us/support>).

## Dimensions in inches



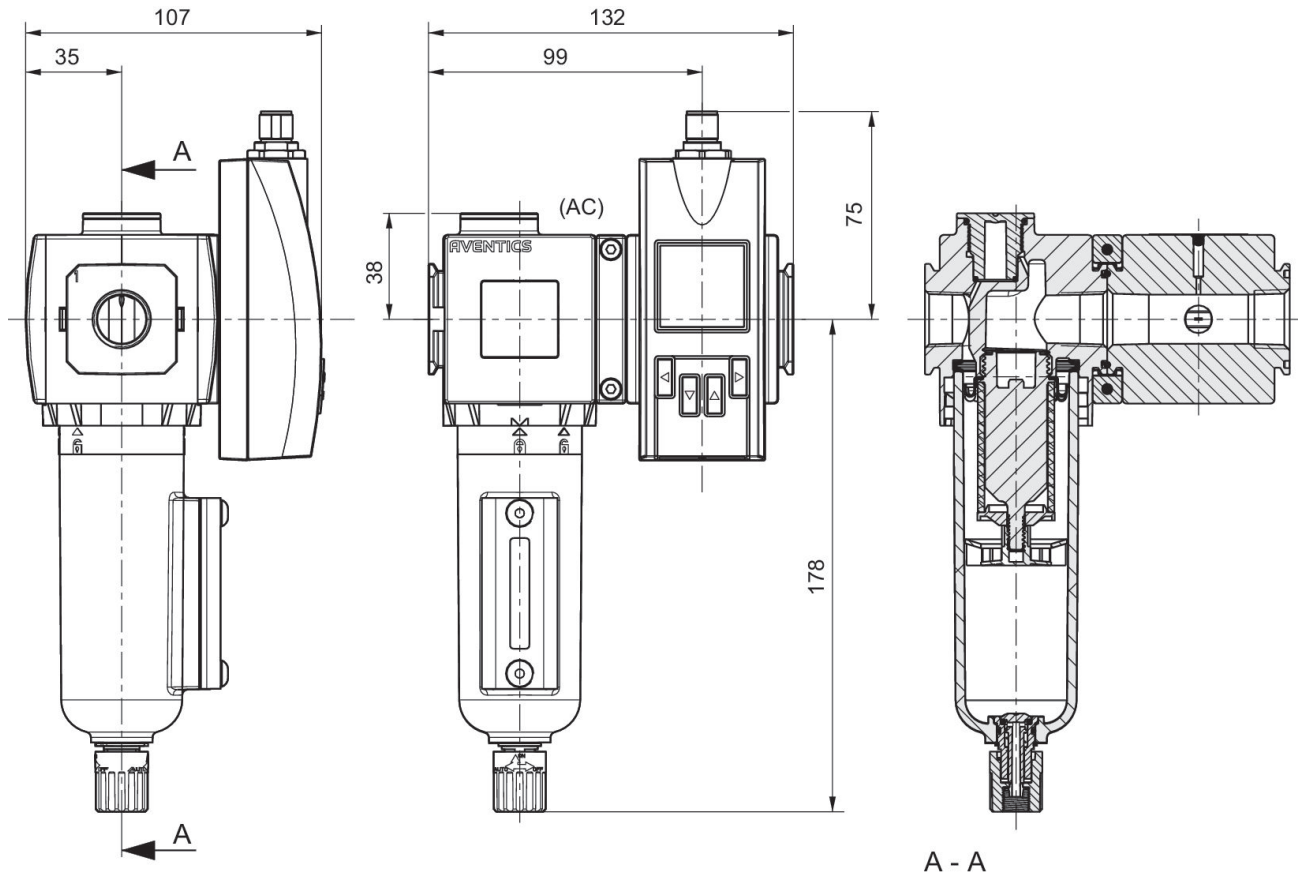
# Series AF2 flow rate sensor, IO-Link

8652AVBP4JA000N

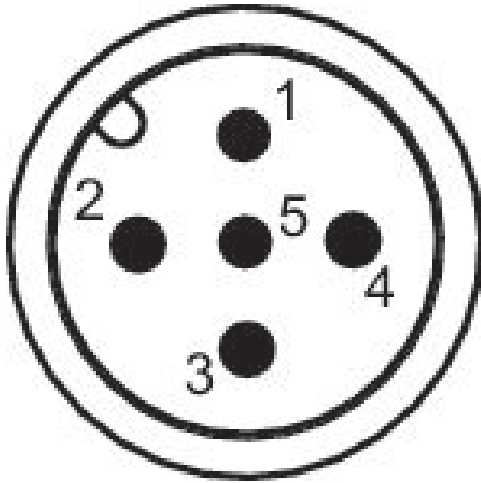
652

2024-03-04

## Dimensions in mm



## Pin assignments



## Pin assignments

Pin	Allocation	Wire color
1	L+ Supply Voltage	brown
2	QA (output 4 ... 20 mA)	white
3	m = mass	blue
4	C/Q1 (IO-Link/switch output)	black
5	Analog output 4 ... 20 mA	yellow