

AVENTICS Series AR1 Compressed air reservoirs



Technical data

| | |
|--------------------------|----------------------|
| Industry | Industrial |
| Port 1 | G 1 |
| Port 2 | G 1/2 |
| Reservoir Ø | 101.6 mm |
| Air reservoir volume | 3.2 L |
| Min. working pressure | 0 bar |
| Max. working pressure | 11 bar |
| Min. ambient temperature | -40 °C |
| Max. ambient temperature | 100 °C |
| Min. medium temperature | -40 °C |
| Max. medium temperature | 100 °C |
| Medium | Compressed air |
| Housing material | Steel, chrome-plated |
| Surface housing | black painted |
| Part No. | 3513000010 |

Technical information

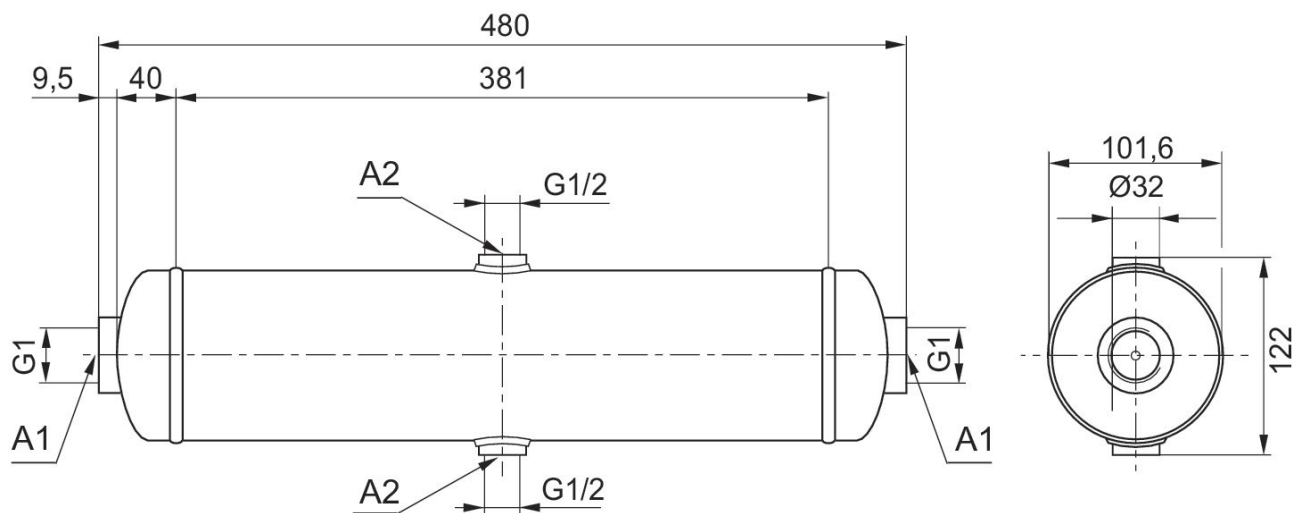
The pressure dew point must be at least 15 °C less than ambient and medium temperature and may not exceed 3 °C.

The oil content of compressed air must remain constant during the life cycle.

Use only the approved oils from AVENTICS. Further information can be found in the “Technical information” document (available in <https://www.emerson.com/en-us/support>).

Dimensions

Fig. 2



A1 = horizontal connection
A2 = radial connection