

## AVENTICS Series AR1 Compressed air reservoirs



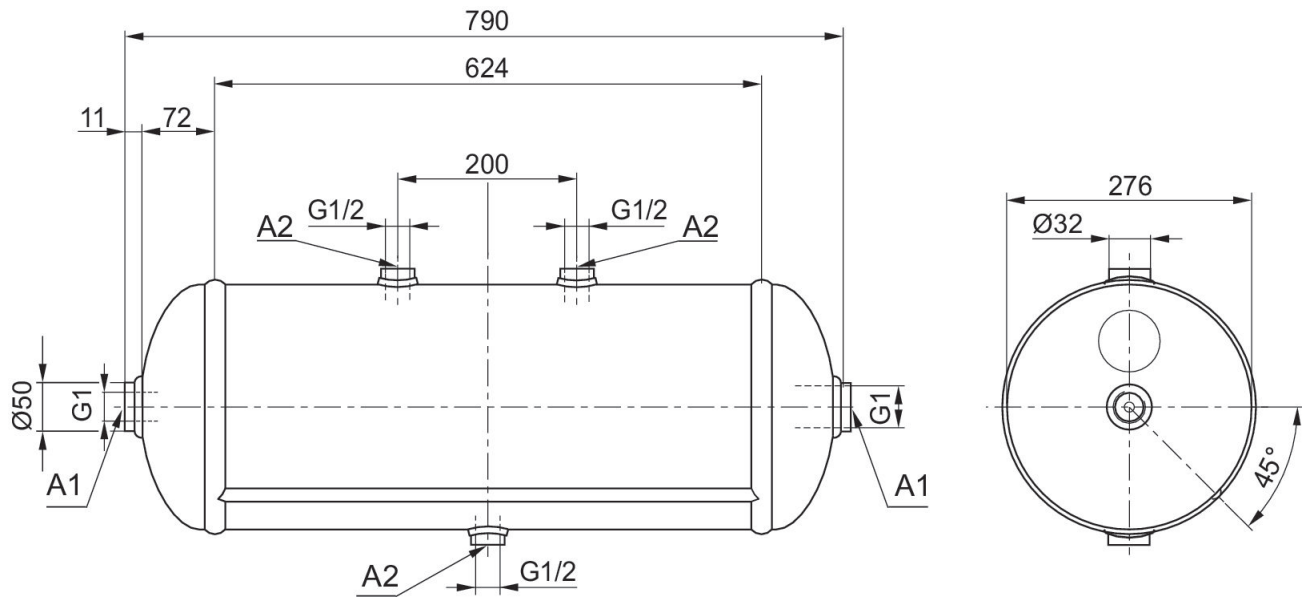
### Technical data

Industry	Industrial
Port 1	G 2
Port 2	G 1/2
Reservoir Ø	350 mm
Air reservoir volume	90 L
Min. working pressure	0 bar
Max. working pressure	11 bar
Min. ambient temperature	-40 °C
Max. ambient temperature	100 °C
Min. medium temperature	-40 °C
Max. medium temperature	100 °C
Medium	Compressed air
Housing material	Steel, chrome-plated
Surface housing	black painted
Part No.	3513000060



3513000060

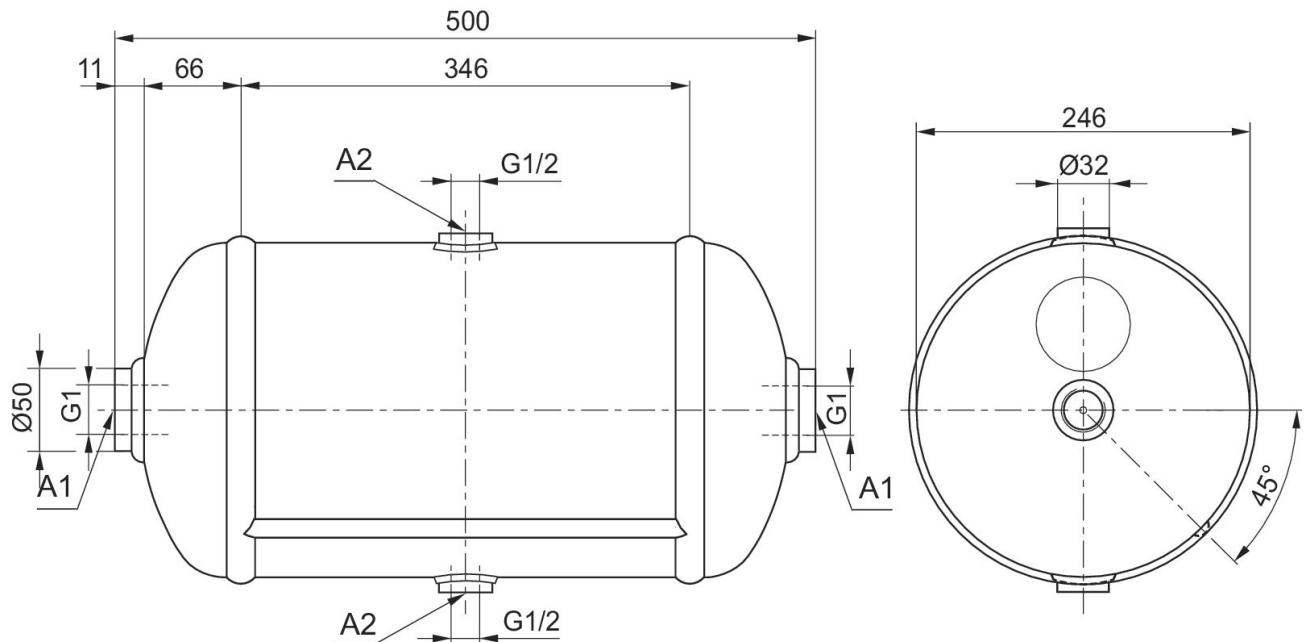
Fig. 6



A1 = horizontal connection  
A2 = radial connection

## Dimensions

Fig. 5

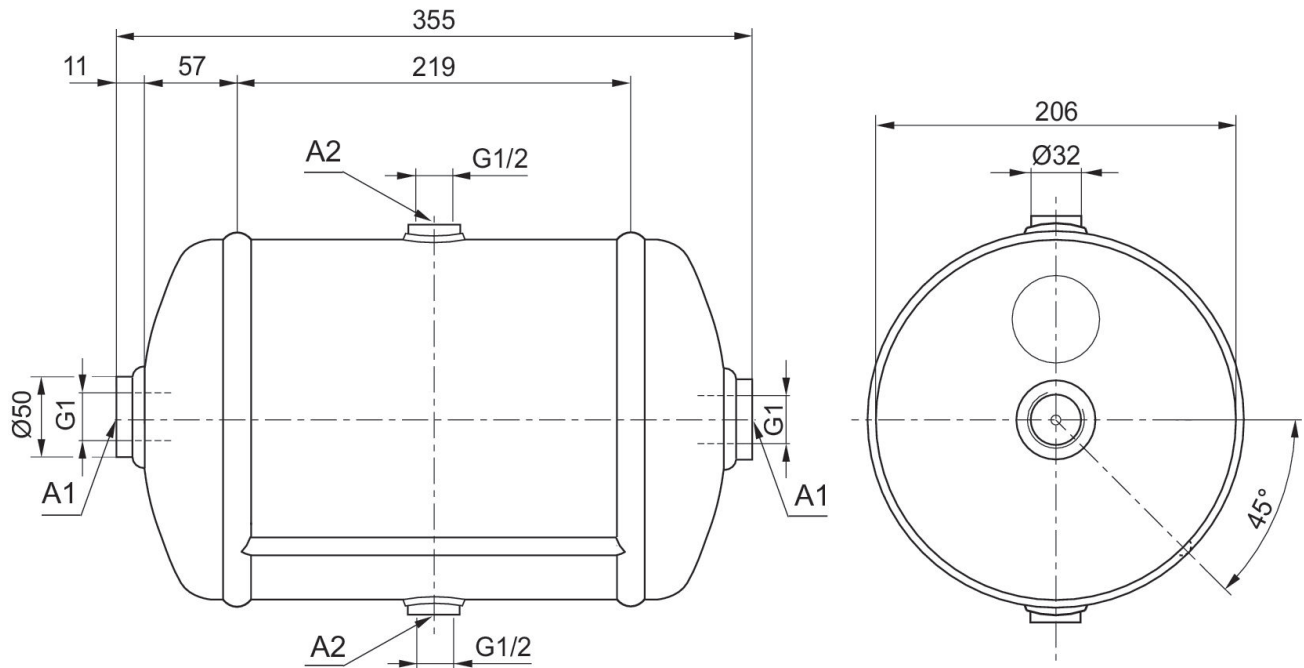


A1 = horizontal connection  
A2 = radial connection

## Dimensions

3513000060

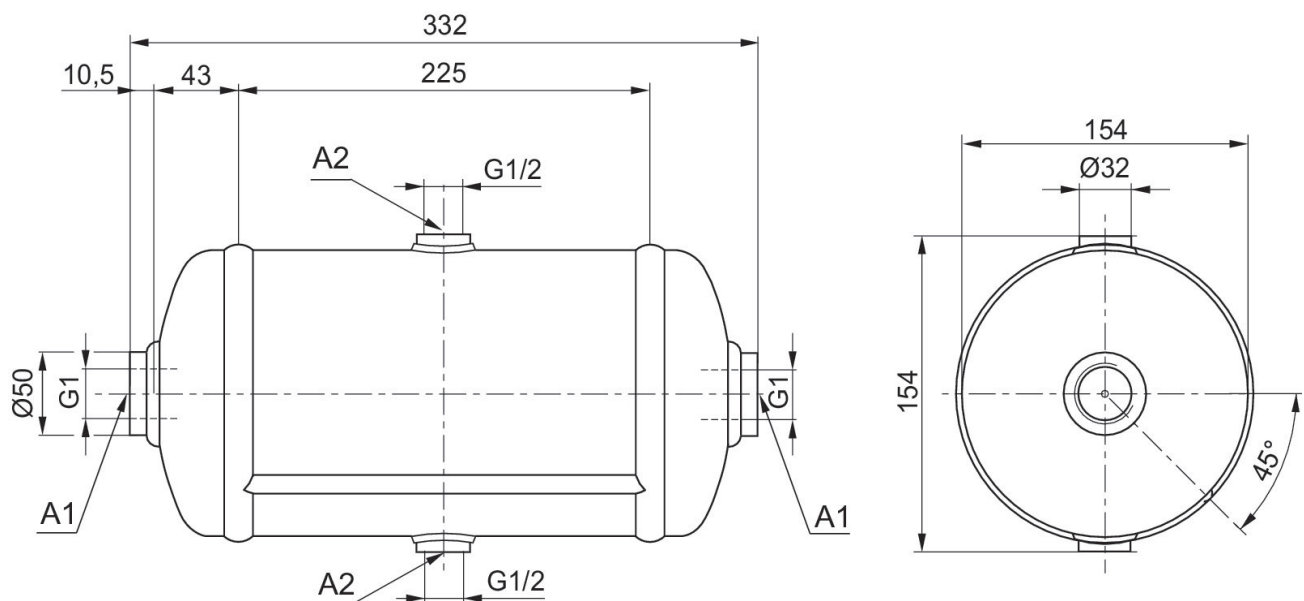
Fig. 4



A1 = horizontal connection  
A2 = radial connection

## Dimensions

Fig. 3



A1 = horizontal connection  
A2 = radial connection

## Dimensions

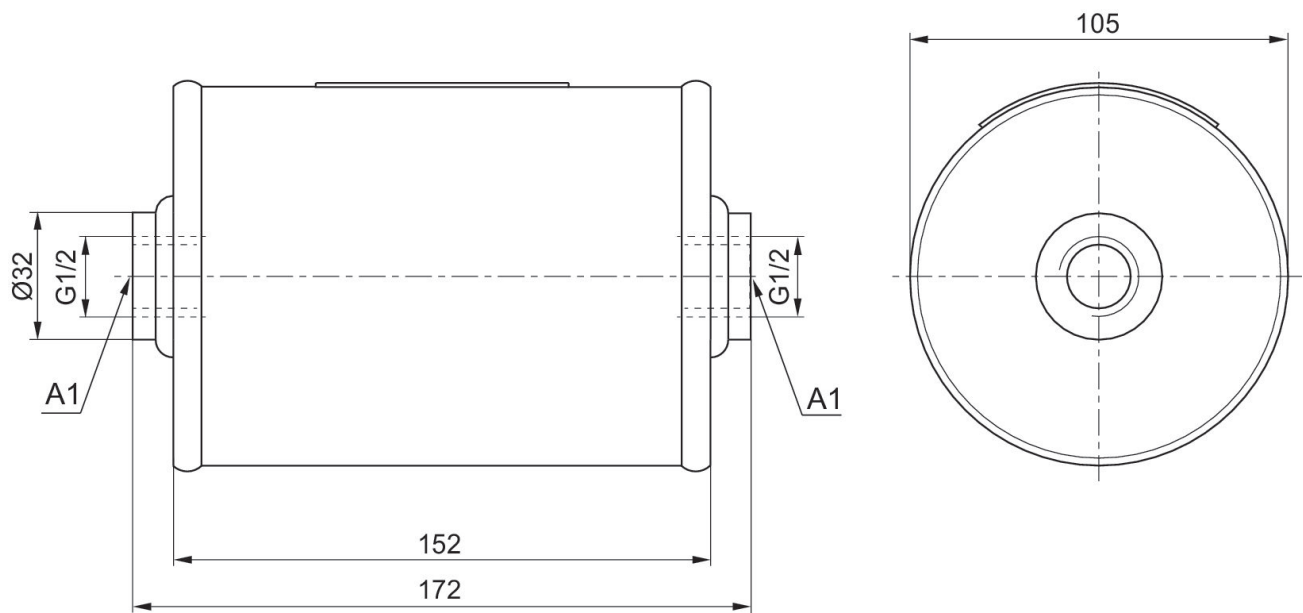
Fig. 2



A1 = horizontal connection  
A2 = radial connection

## Dimensions

Fig. 1



A1 = horizontal connection