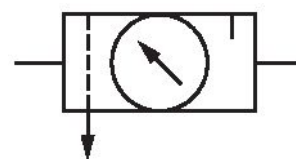


Air preparation unit, 2-part, Series AS1-ACD R412014672

General series information
AVENTICS Series AS1 Air Preparation Units

- The AVENTICS Series AS1 is a modular, versatile maintenance unit for universal application. This Series offers compact dimensions, is highly efficient, lightweight and easy-to-use. The AVENTICS Series AS guarantees reliability, safety, and efficiency with a simplified assembly and maintenance efforts.



Technical data

Industry

Parts

Components

Reservoir

Port

Nominal flow Qn

Filter porosity

Condensate drain

Pressure gauge

Working pressure min.

Working pressure max

Min. ambient temperature

Max. ambient temperature

Air supply

Industrial

Air preparation units

Filter pressure regulator

Lubricator

reservoir, polycarbonate, without protective guard

G 1/4

700 l/min

5 µm

semi-automatic, open without pressure

With integrated pressure gauge

1.5 bar

12 bar

-10 °C

50 °C

left

Regulation range min.	0.5 bar
Regulation range max.	8 bar
Lock type	not lockable
Type	2-part
Type	Can be assembled into blocks
Pressure supply	single
Mounting orientation	vertical
Regulator type	Diaphragm-type pressure regulator
Regulator function	with relieving air exhaust
Filter element	exchangeable
Filter reservoir volume	16 cm ³
Max. achievable compressed air class acc. to ISO 8573-1:2010	6 : 7 : -
Lubricator reservoir volume	35 cm ³
Type of filling	Manual oil filling
Medium	Compressed air Neutral gases
Weight	0.504 kg

Material

Housing material	Polyamide
Seal material	Acrylonitrile butadiene rubber
Material front plate	Acrylonitrile butadiene styrene
Material reservoir	Polycarbonate
Material protective guard	Polyamide
Material filter insert	Cellpor
Part No.	R412014672

Technical information

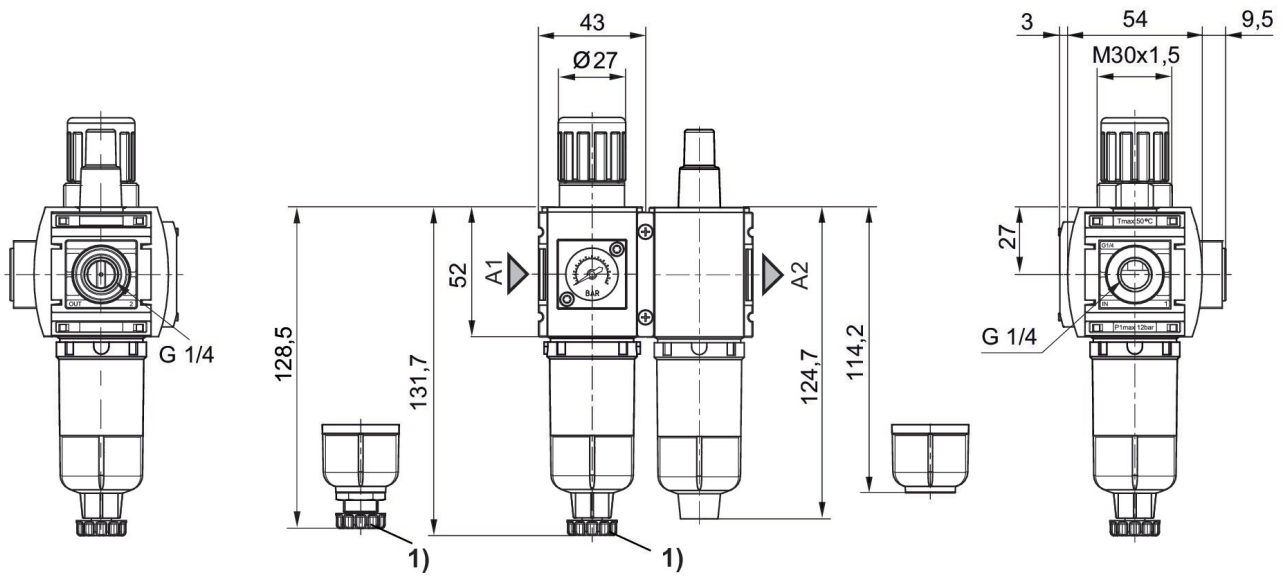
The pressure dew point must be at least 15 °C less than ambient and medium temperature and may not exceed 3 °C.

Note: Polycarbonate reservoirs are susceptible to solvents, supplementary information can be found at "Customer information".

Also suitable for separation of fluid oil or water due to the design.

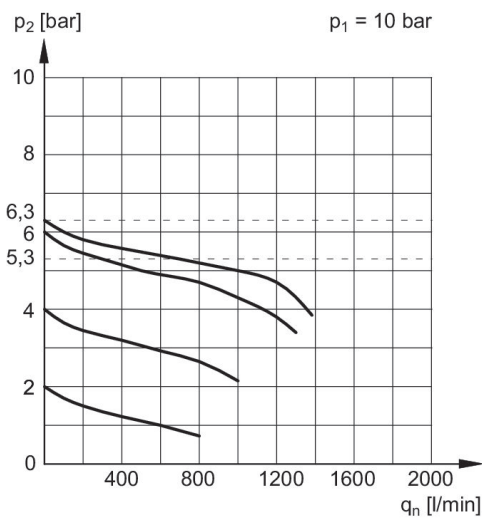
Nominal flow Qn with secondary pressure p2 = 6 bar at Δp = 1 bar

Dimensions in mm



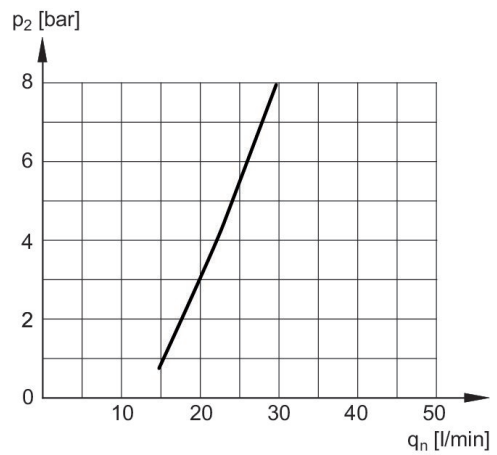
A1 = input
A2 = output
1) Semi-automatic condensate drain

Flow rate characteristic, $p_2 = 0,05 - 7$ bar



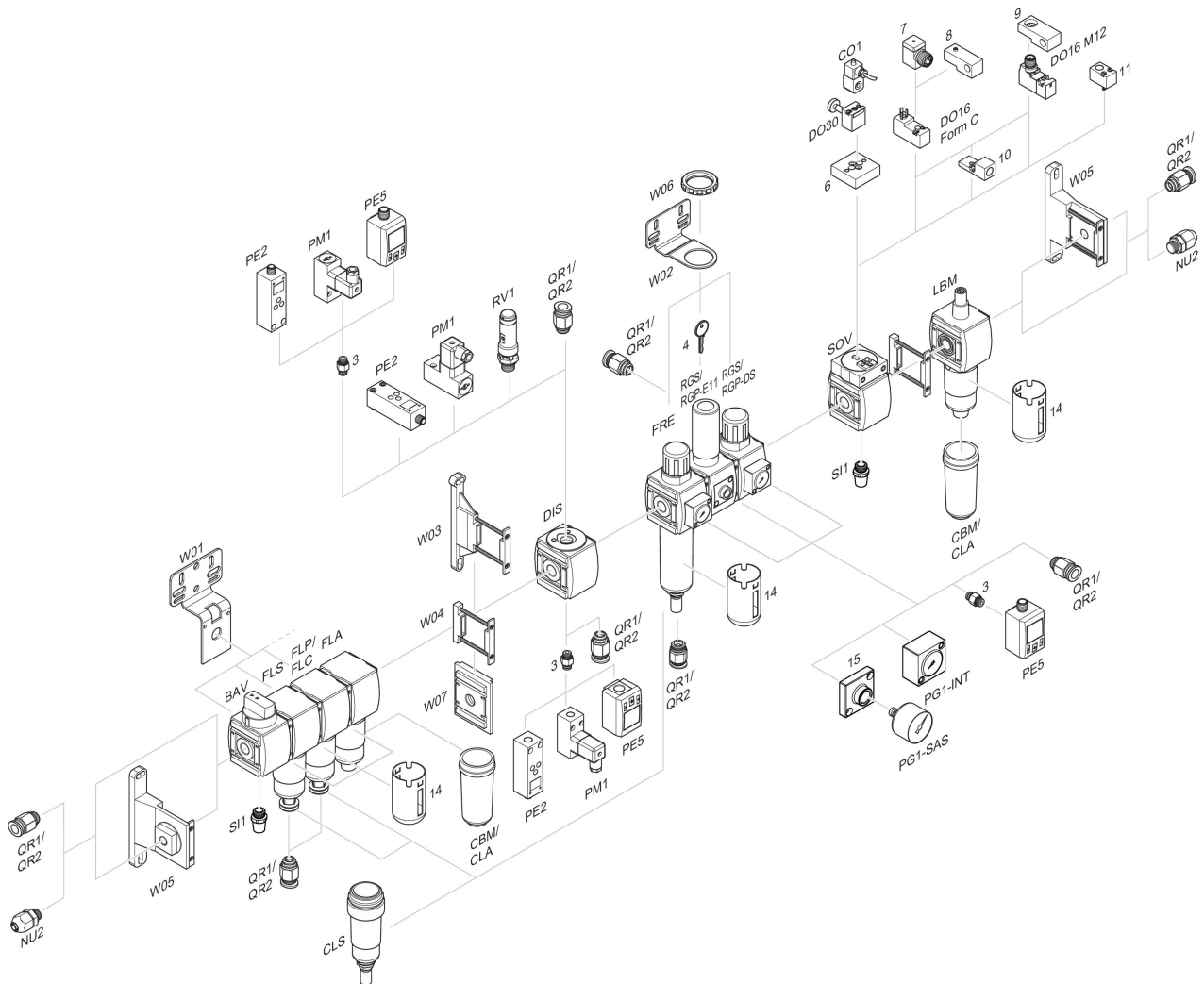
p_1 = Working pressure
 p_2 = Secondary pressure
 q_n = Nominal flow

Lubricator activation margin



p_2 = Secondary pressure
 q_n = Nominal flow

Accessories overview



3 = Double nipple 4 = Key for E11 locking 6 = Transition plate DO30 7 = Adapter, Series CON-VP 8 = Mounting aid DO16, form C 9 = Mounting aid DO16, M12 10 = Adapter for external pilot air 11 = Adapter pneumatic operation 14 = Protective guard 15 = Transition plate for assembling a pressure gauge with connection thread G 1/8