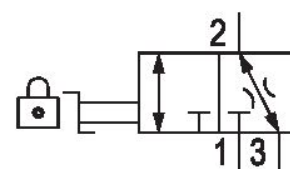


# 3/2-shut-off valve, mechanically operated, Series AS1-BAV

R412014664

## General series information Series AS1

- The AVENTICS Series AS1 is a modular, versatile maintenance unit for universal application. This Series offers compact dimensions, is highly efficient, lightweight and easy-to-use. The AVENTICS Series AS guarantees reliability, safety, and efficiency with a simplified assembly and maintenance efforts.



## Technical data

Activation  
Mechanical

Nominal flow Qn  
2600 l/min

Compressed air connection  
G 1/4

Working pressure min.  
0 bar

Working pressure max  
12 bar

Actuating element  
rotary switch

Type  
Ball Valve

Parts  
Shut-off valve

Lock type  
lockable

Lock type  
for padlocks

Can be assembled into blocks  
Can be assembled into blocks

Air supply  
left

Min. ambient temperature  
-10 °C

Max. ambient temperature  
50 °C

Medium  
Compressed air  
Neutral gases

Max. particle size  
25 µm

Compressed air connection, exhaust  
G 1/4

Nominal flow Qn 1 to 2  
2600 l/min

Nominal flow Qn 2 to 3  
330 l/min

Weight  
0.15 kg

Housing material  
Polyamide

Seal material  
Acrylonitrile butadiene rubber

Material, front cover  
Acrylonitrile butadiene styrene

Material actuating control  
Polyoxymethylene

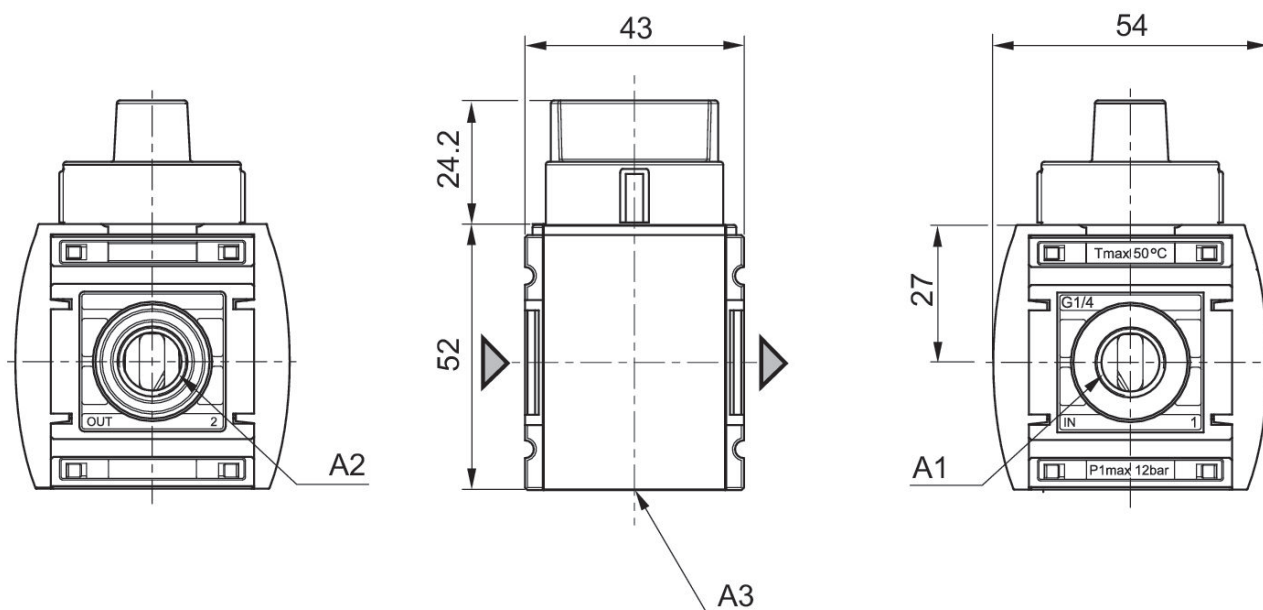
Part No.  
R412014664

## Technical information

The pressure dew point must be at least 15 °C under ambient and medium temperature and may not exceed 3 °C .

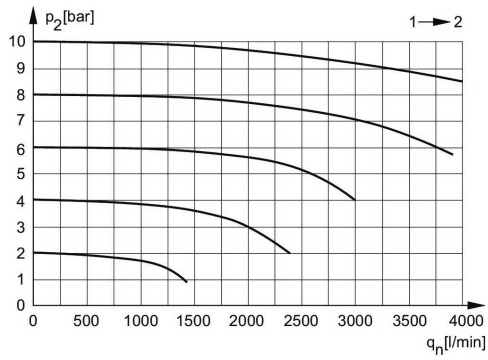
Nominal flow Qn with secondary pressure p2 = 6 bar at  $\Delta p = 1$  bar

## Dimensions in mm

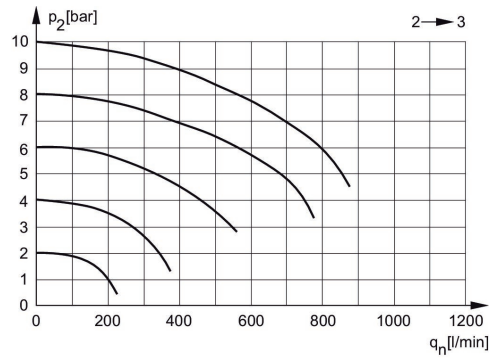


A1 = input  
A2 = output  
A3 = ventilation port

Flow rate characteristic,  $p_2 = 0,05 - 7$  bar Rear exhaust  
bar

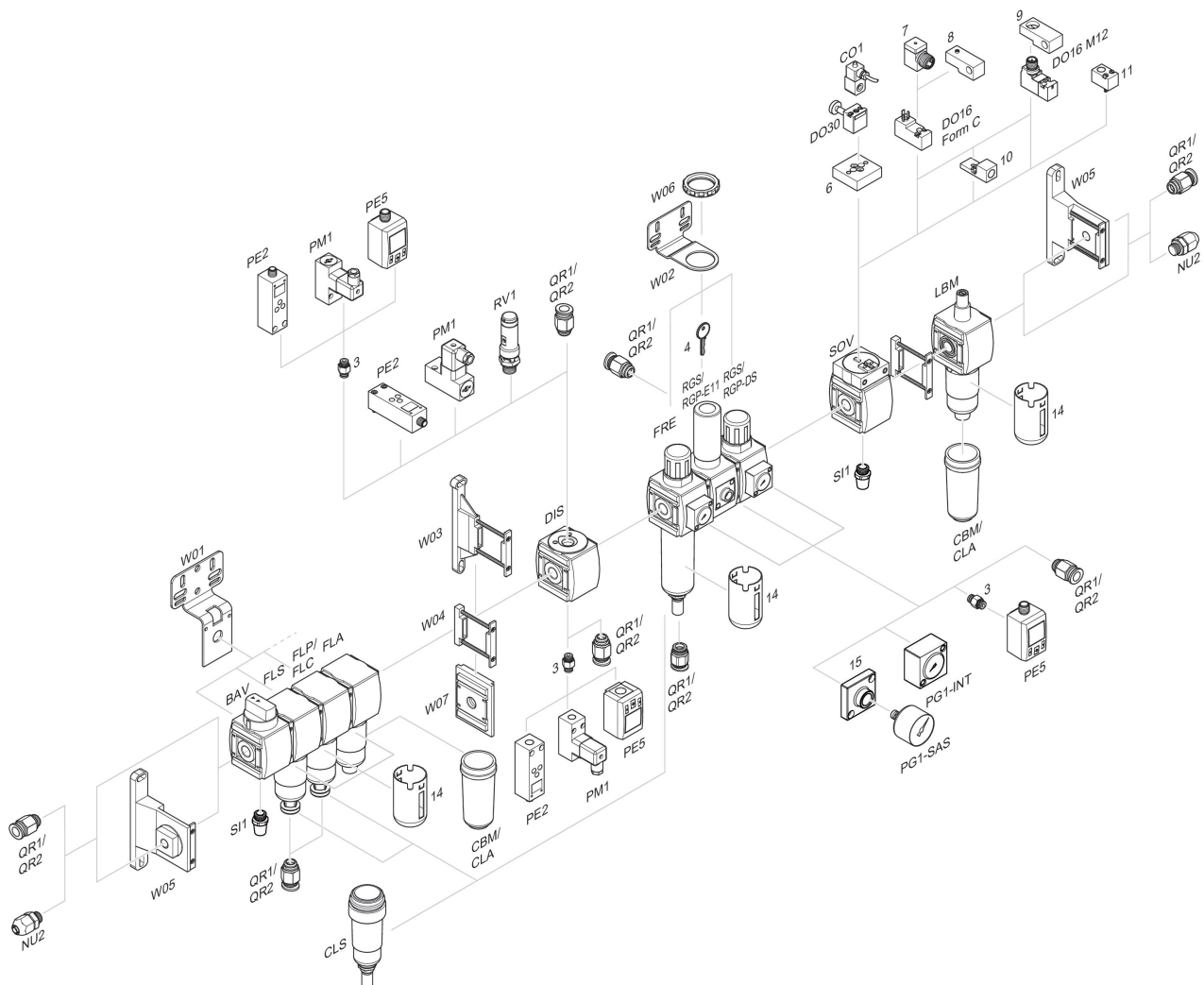


$p_2$  = Secondary pressure  
 $q_n$  = Nominal flow



$p_2$  = Secondary pressure  
 $q_n$  = Nominal flow

## Accessories overview



3 = Double nipple 4 = Key for E11 locking 6 = Transition plate DO30 7 = Adapter, Series CON-VP 8 = Mounting aid DO16, form C 9 = Mounting aid DO16, M12 10 = Adapter for external pilot air 11 = Adapter pneumatic operation 14 = Protective guard 15 = Transition plate for assembling a pressure gauge with connection thread G 1/8