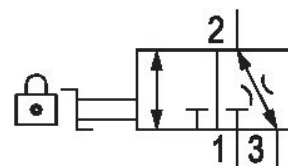


3/2-shut-off valve, mechanically operated, Series AS1-BAV

R412014742

General series information Series AS1

- The AVENTICS Series AS1 is a modular, versatile maintenance unit for universal application. This Series offers compact dimensions, is highly efficient, lightweight and easy-to-use. The AVENTICS Series AS guarantees reliability, safety, and efficiency with a simplified assembly and maintenance efforts.



Technical data

Activation
Mechanical

Nominal flow Qn
2600 l/min

Compressed air connection
G 1/4

Working pressure min.
0 bar

Working pressure max
12 bar

Actuating element
rotary switch

Type
Ball Valve

Parts
Shut-off valve

Lock type
lockable

Lock type
for padlocks

Can be assembled into blocks
Can be assembled into blocks

Air supply
right

Min. ambient temperature
-10 °C

Max. ambient temperature
50 °C

Medium
Compressed air
Neutral gases

Max. particle size
25 µm

Compressed air connection, exhaust
G 1/4

Nominal flow Qn 1 to 2
2600 l/min

Nominal flow Qn 2 to 3
380 l/min

Weight
0.15 kg

Housing material
Polyamide

Seal material
Acrylonitrile butadiene rubber

Material, front cover
Acrylonitrile butadiene styrene

Material actuating control
Polyoxymethylene

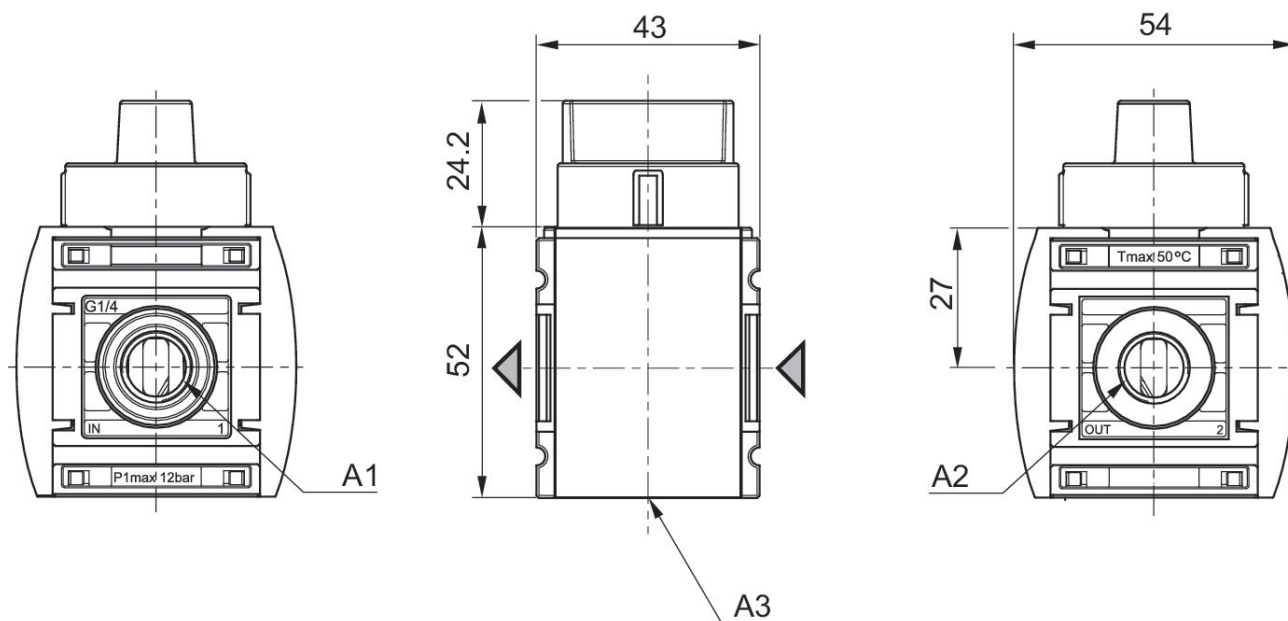
Part No.
R412014742

Technical information

The pressure dew point must be at least 15 °C under ambient and medium temperature and may not exceed 3 °C .

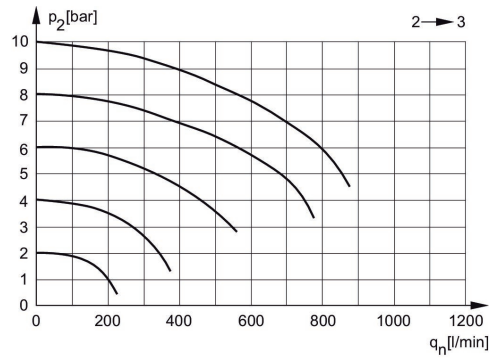
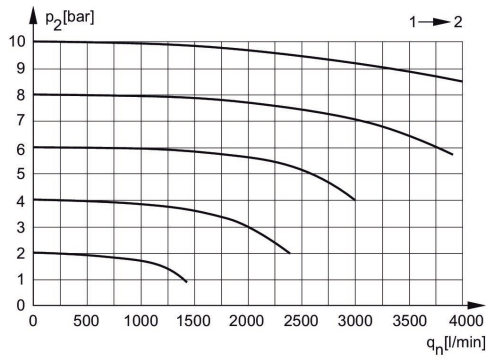
Nominal flow Qn with secondary pressure p2 = 6 bar at $\Delta p = 1$ bar

Dimensions in mm



A1 = input
A2 = output
A3 = ventilation port

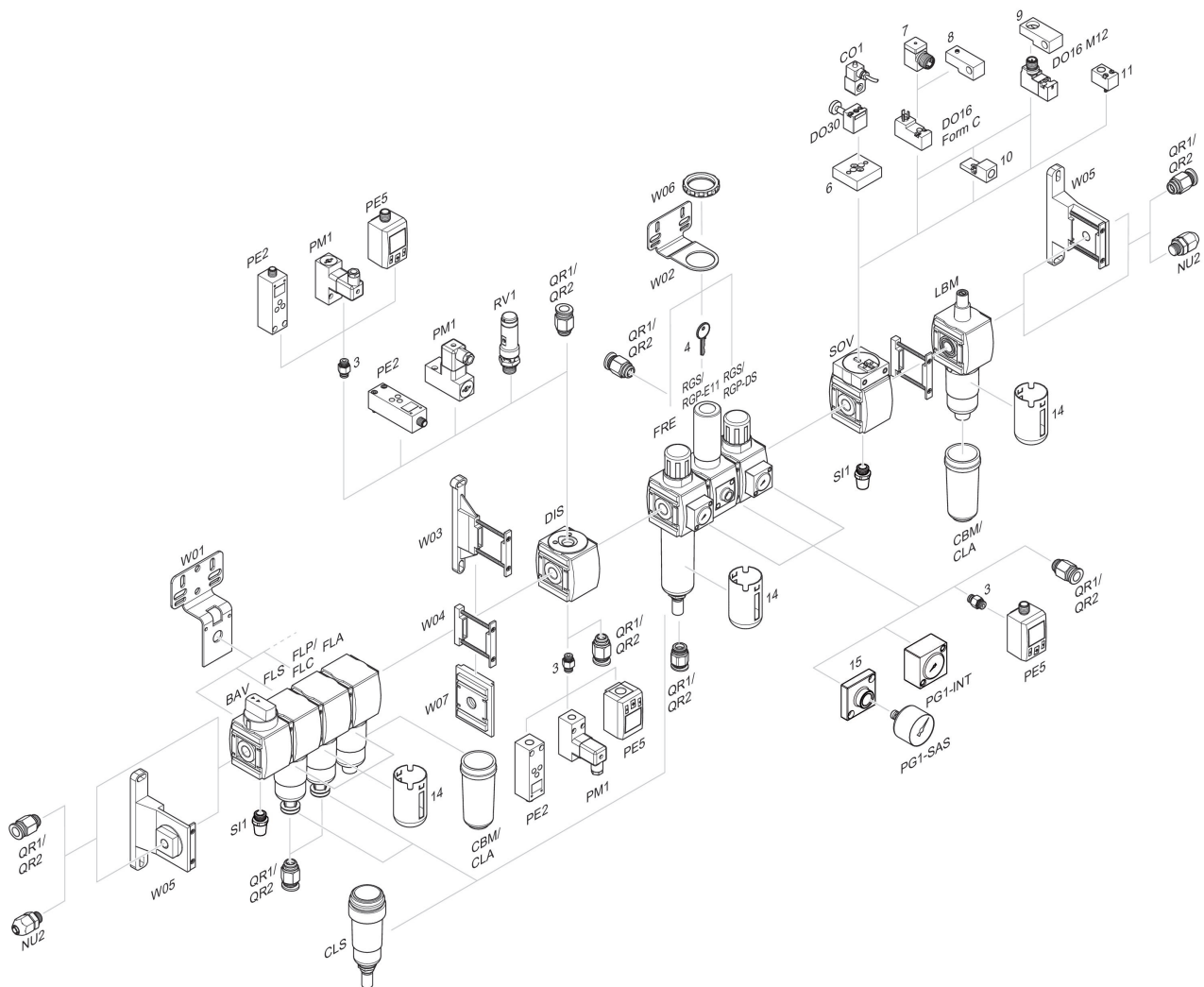
Flow rate characteristic, $p_2 = 0,05 - 7$ bar Rear exhaust
 bar



p_2 = Secondary pressure
 q_n = Nominal flow

p_2 = Secondary pressure
 q_n = Nominal flow

Accessories overview



3 = Double nipple 4 = Key for E11 locking 6 = Transition plate DO30 7 = Adapter, Series CON-VP 8 = Mounting aid DO16, form C 9 = Mounting aid DO16, M12 10 = Adapter for external pilot air 11 = Adapter pneumatic operation 14 = Protective guard 15 = Transition plate for assembling a pressure gauge with connection thread G 1/8