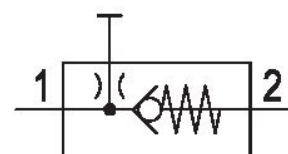


Distributor, Series AS1-DIN

R412014741

General series information Series AS1

- The AVENTICS Series AS1 is a modular, versatile maintenance unit for universal application. This Series offers compact dimensions, is highly efficient, lightweight and easy-to-use. The AVENTICS Series AS guarantees reliability, safety, and efficiency with a simplified assembly and maintenance efforts.



Technical data

Industry

Industrial

Parts

Distributor

Non-return valve

Port

G 1/4

Air supply

right

Type

Can be assembled into blocks

Version

Distributor 1x

Mounting orientation

Any

Working pressure min.

0 bar

Working pressure max

12 bar

Min. ambient temperature

-10 °C

Max. ambient temperature

50 °C

Medium

Compressed air

Neutral gases

Nominal flow Qn

800 l/min

Nominal flow Qn 1 to 2

800 l/min

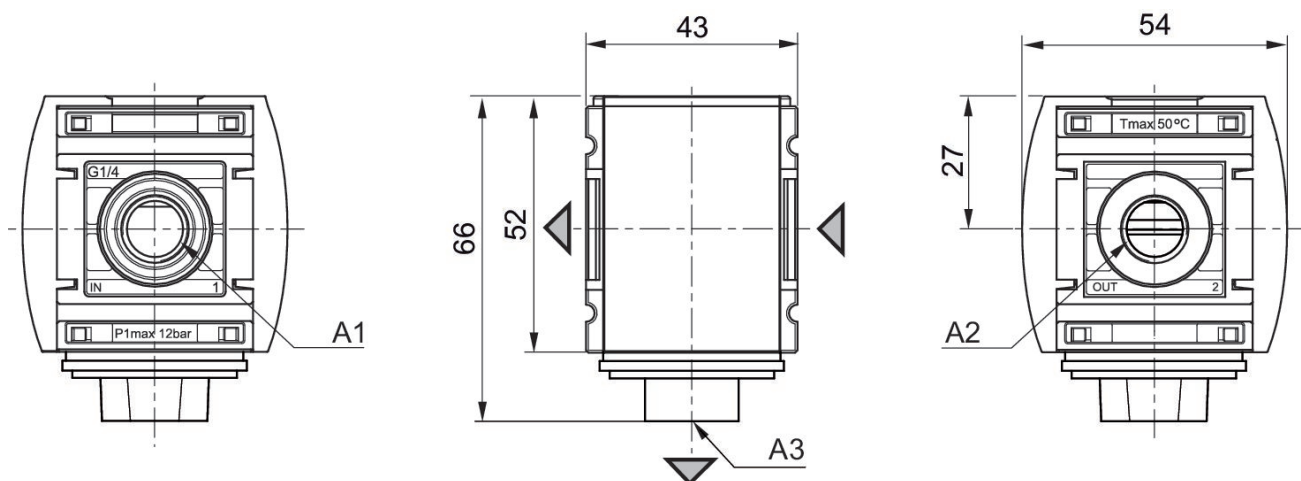
Nominal flow 1 # 3	1000 l/min
Weight	0.178 kg
Housing material	Polyamide
Material front plate	Acrylonitrile butadiene styrene
Seal material	Acrylonitrile butadiene rubber
	R412014741

Technical information

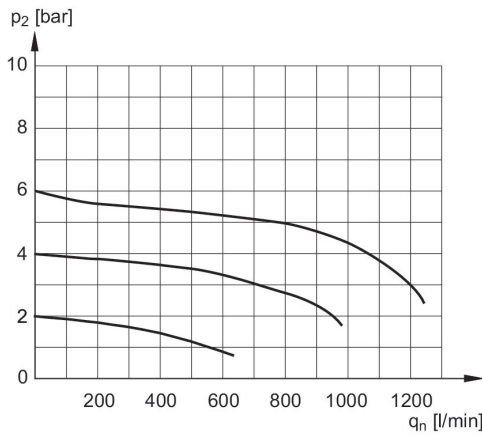
The pressure dew point must be at least 15 °C less than ambient and medium temperature and may not exceed 3 °C.

Nominal flow Q_n with secondary pressure $p_2 = 6$ bar at $\Delta p = 1$ bar

Dimensions in mm

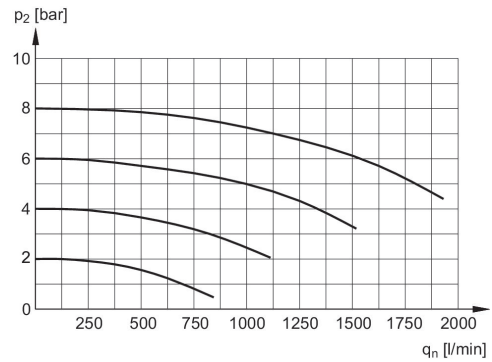


A1 = input
A2 = output
A3 = output



Nominal flow 1 > 3
p2 = Secondary pressure
qn = Nominal flow

Flow rate characteristic, p2 = 0,05 - 7 bar



Nominal flow Qn 1 to 2
p2 = Secondary pressure
qn = Nominal flow

Accessories overview



3 = Double nipple 4 = Key for E11 locking 6 = Transition plate DO30 7 = Adapter, Series CON-VP 8 = Mounting aid DO16, form C 9 = Mounting aid DO16, M12 10 = Adapter for external pilot air 11 = Adapter pneumatic operation 14 = Protective guard 15 = Transition plate for assembling a pressure gauge with connection thread G 1/8