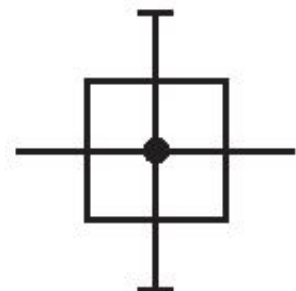


Distributor, Series AS1-DIS

R412014662

General series information Series AS1

- The AVENTICS Series AS1 is a modular, versatile maintenance unit for universal application. This Series offers compact dimensions, is highly efficient, lightweight and easy-to-use. The AVENTICS Series AS guarantees reliability, safety, and efficiency with a simplified assembly and maintenance efforts.



Technical data

| | |
|--------------------------|------------------------------|
| Industry | Industrial |
| Parts | Distributor |
| Port | G 1/4 |
| Air supply | left |
| Type | Can be assembled into blocks |
| Version | Distributor 2x |
| Mounting orientation | Any |
| Working pressure min. | 0 bar |
| Working pressure max. | 12 bar |
| Min. ambient temperature | -10 °C |
| Max. ambient temperature | 50 °C |
| Medium | Compressed air |

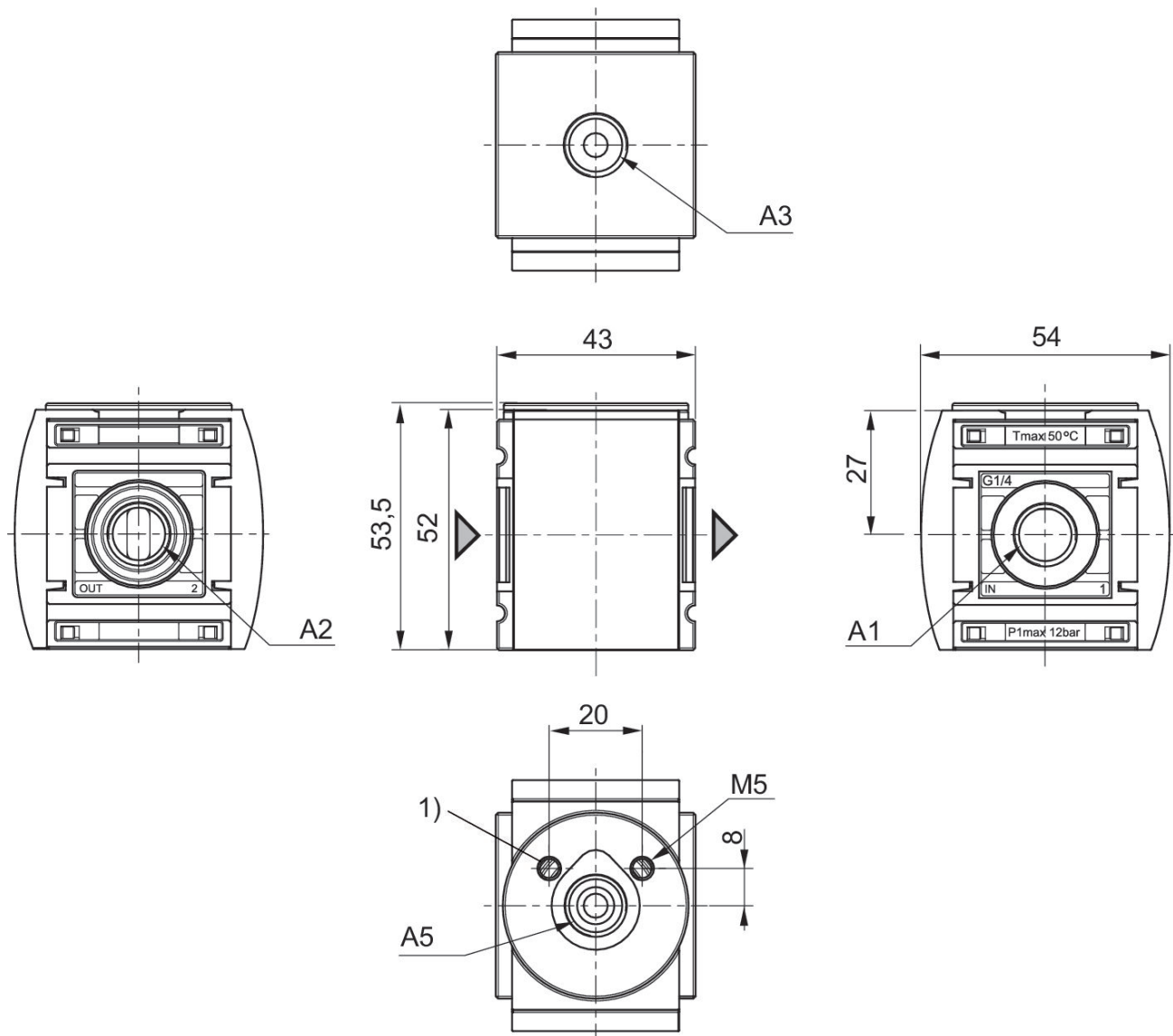
| | |
|------------------------|---------------------------------|
| | Neutral gases |
| Nominal flow Qn | 2700 l/min |
| Nominal flow Qn 1 to 2 | 2700 l/min |
| Nominal flow 1 # 3 | 950 l/min |
| Nominal flow 1 # 5 | 2000 l/min |
| Weight | 0.148 kg |
| Housing material | Polyamide |
| Material front plate | Acrylonitrile butadiene styrene |
| Seal material | Acrylonitrile butadiene rubber |
| | R412014662 |

Technical information

The pressure dew point must be at least 15 °C less than ambient and medium temperature and may not exceed 3 °C.

Nominal flow Qn with secondary pressure $p_2 = 6$ bar at $\Delta p = 1$ bar

Dimensions in mm



- A1 = input
- A2 = output
- A3 = output G 1/4
- A5 = output G 1/4
- 1) Mounting thread for pressure sensor

Accessories overview



3 = Double nipple 4 = Key for E11 locking 6 = Transition plate DO30 7 = Adapter, Series CON-VP 8 = Mounting aid DO16, form C 9 = Mounting aid DO16, M12 10 = Adapter for external pilot air 11 = Adapter pneumatic operation 14 = Protective guard 15 = Transition plate for assembling a pressure gauge with connection thread G 1/8