

# Standard filter, Series AS1-FLS

## R412014684

### General series information Series AS1

- The AVENTICS Series AS1 is a modular, versatile maintenance unit for universal application. This Series offers compact dimensions, is highly efficient, lightweight and easy-to-use. The AVENTICS Series AS guarantees reliability, safety, and efficiency with a simplified assembly and maintenance efforts.



### Technical data

|                          |  |
|--------------------------|--|
| Industry                 | Industrial                               |
| Parts                    | Filter                                   |
| Reservoir                | Metal reservoir without window           |
| Port                     | G 1/4                                    |
| Filter porosity          | 5 µm                                     |
| Nominal flow Qn          | 1000 l/min                               |
| Condensate drain         | fully automatic, closed without pressure |
| Working pressure min.    | 1.5 bar                                  |
| Working pressure max     | 12 bar                                   |
| Min. ambient temperature | -10 °C                                   |
| Max. ambient temperature | 50 °C                                    |
| Medium                   | Compressed air<br>Neutral gases          |
| Air supply               | right                                    |

|  |                              |
|--|------------------------------|
| Max. achievable compressed air class acc. to ISO 8573-1:2010 | 6 : 7 : -                    |
| Filter reservoir volume                                      | 16 cm <sup>3</sup>           |
| Filter element   | exchangeable                 |
| Weight   | 0.255 kg                     |
| Mounting orientation   | vertical                     |
| Type   | Can be assembled into blocks |

## Material

|                        |                                 |
|------------------------|---------------------------------|
| Housing material       | Polyamide                       |
| Material front plate   | Acrylonitrile butadiene styrene |
| Seal material          | Acrylonitrile butadiene rubber  |
| Material reservoir     | metal                           |
| Material filter insert | Cellpor                         |
| Part No.               | R412014684                      |

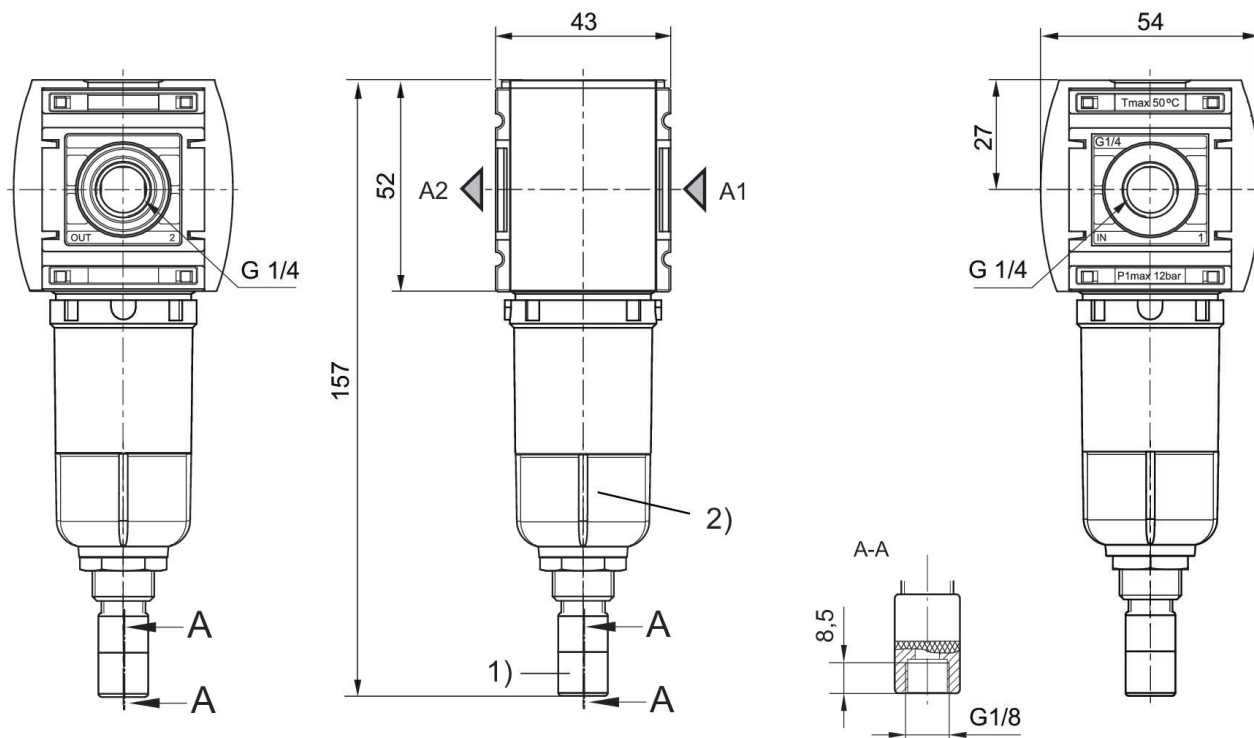
## Technical information

The pressure dew point must be at least 15 °C less than ambient and medium temperature and may not exceed 3 °C.

Also suitable for separation of fluid oil or water due to the design.

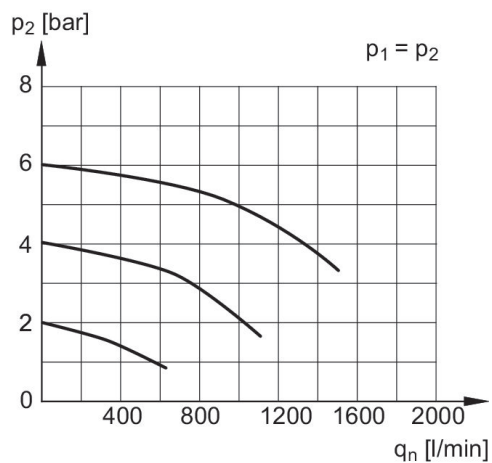
Nominal flow  $Q_n$  with secondary pressure  $p_2 = 6$  bar at  $\Delta p = 1$  bar

## Dimensions in mm



- 1) Fully automatic condensate drain  
2) Reservoir: metal

## Flow rate characteristic, $p_2 = 0,05 - 7$ bar



- $p_1$  = Working pressure  
 $p_2$  = Secondary pressure  
 $q_n$  = Nominal flow

## Accessories overview



3 = Double nipple 4 = Key for E11 locking 6 = Transition plate DO30 7 = Adapter, Series CON-VP 8 = Mounting aid DO16, form C 9 = Mounting aid DO16, M12 10 = Adapter for external pilot air 11 = Adapter pneumatic operation 14 = Protective guard 15 = Transition plate for assembling a pressure gauge with connection thread G 1/8