

Micro oil-mist lubricator, Series AS1-LBM

R412014626

General series information Series AS1

- The AVENTICS Series AS1 is a modular, versatile maintenance unit for universal application. This Series offers compact dimensions, is highly efficient, lightweight and easy-to-use. The AVENTICS Series AS guarantees reliability, safety, and efficiency with a simplified assembly and maintenance efforts.



Technical data

Industry	Industrial
Parts	Lubricator
Reservoir	Metal reservoir without window
Compressed air connection	G 1/4
Nominal flow Qn	1400 l/min
Mounting orientation	vertical
Working pressure min.	0.8 bar
Working pressure max	12 bar
Min. ambient temperature	-10 °C
Max. ambient temperature	50 °C
Medium	Compressed air Neutral gases
Air supply	left
Type of filling	Manual oil filling

Lubricator reservoir volume	35 cm ³
Oil dosing at 1000 l/min	10-20 drops
Function	Micro oil-mist lubricator
Function	Can be assembled into blocks
Weight	0.248 kg

Material

Housing material	Polyamide
Material front plate	Acrylonitrile butadiene styrene
Seal material	Acrylonitrile butadiene rubber
Material reservoir	Die cast zinc
Part No.	R412014626

Technical information

The pressure dew point must be at least 15 °C less than ambient and medium temperature and may not exceed 3 °C.

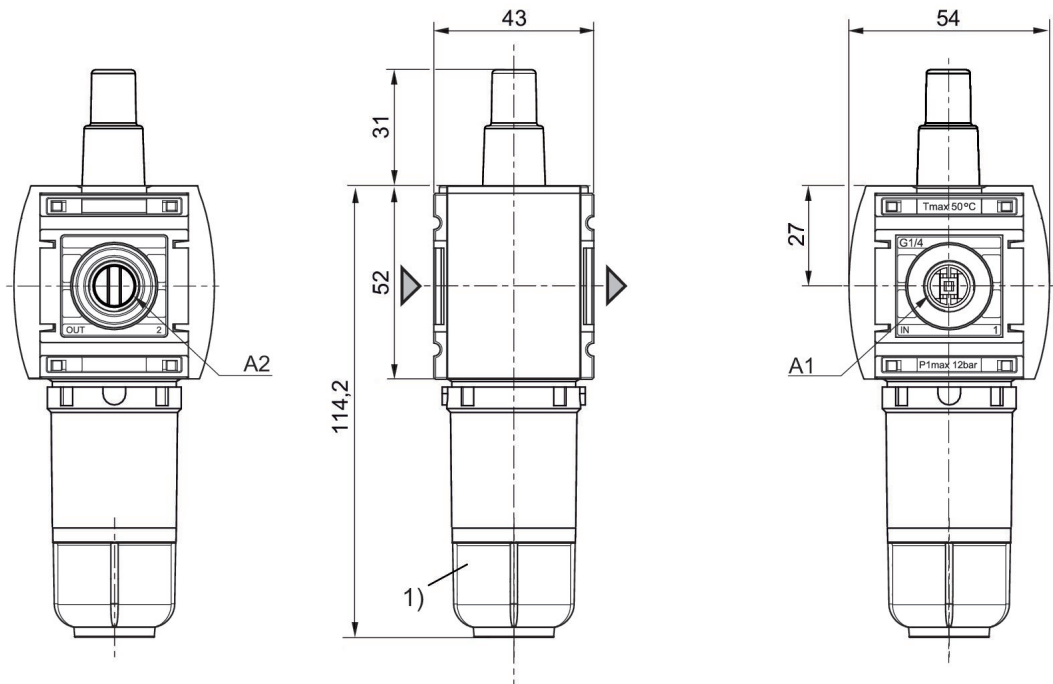
Only approx. 10% of the preset drip quantity enters the compressed air system.

oil filling not possible during operation.

Note: Polycarbonate reservoirs are susceptible to solvents, supplementary information can be found at "Customer information".

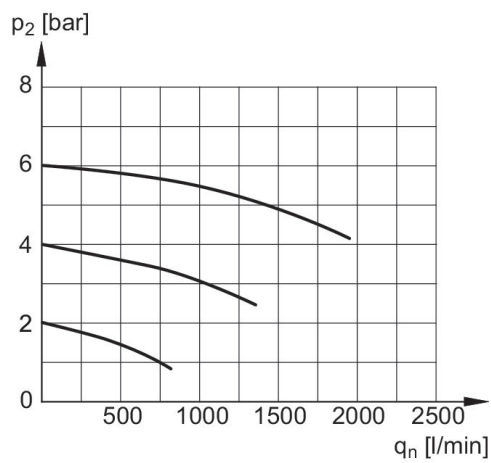
Nominal flow Q_n with secondary pressure $p_2 = 6$ bar at $\Delta p = 1$ bar

Dimensions in mm



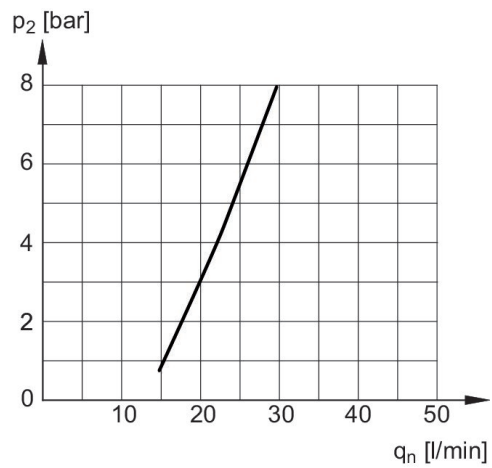
A1 = input
A2 = output
1) Reservoir: metal

Flow rate characteristic, $p_2 = 0,05 - 7$ bar



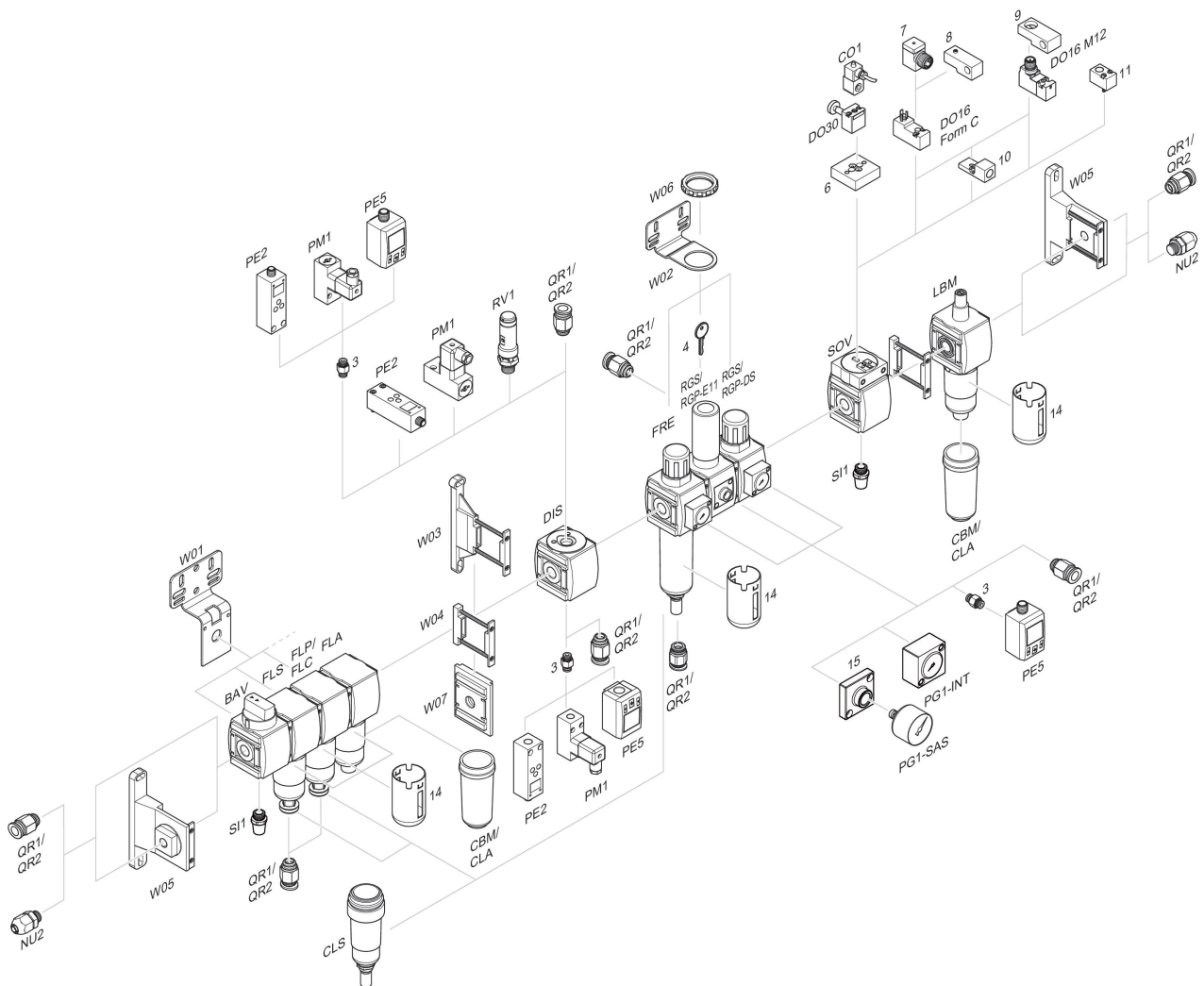
p_2 = Secondary pressure
 q_n = Nominal flow

Lubricator activation margin



p_2 = Secondary pressure
 q_n = Nominal flow

Accessories overview



3 = Double nipple 4 = Key for E11 locking 6 = Transition plate DO30 7 = Adapter, Series CON-VP 8 = Mounting aid DO16, form C 9 = Mounting aid DO16, M12 10 = Adapter for external pilot air 11 = Adapter pneumatic operation 14 = Protective guard 15 = Transition plate for assembling a pressure gauge with connection thread G 1/8