

# Micro oil-mist lubricator, Series AS1-LBM

## R412014704

### General series information Series AS1

- The AVENTICS Series AS1 is a modular, versatile maintenance unit for universal application. This Series offers compact dimensions, is highly efficient, lightweight and easy-to-use. The AVENTICS Series AS guarantees reliability, safety, and efficiency with a simplified assembly and maintenance efforts.



### Technical data

Industry	Industrial
Parts	Lubricator
Reservoir	Metal reservoir without window
Compressed air connection	G 1/4
Nominal flow Qn	1400 l/min
Mounting orientation	vertical
Working pressure min.	0.8 bar
Working pressure max	12 bar
Min. ambient temperature	-10 °C
Max. ambient temperature	50 °C
Medium	Compressed air Neutral gases
Air supply	right
Type of filling	Manual oil filling

Lubricator reservoir volume	35 cm <sup>3</sup>
Oil dosing at 1000 l/min	10-20 drops
Function	Micro oil-mist lubricator
Function	Can be assembled into blocks
Weight	0.248 kg

## Material

Housing material	Polyamide
Material front plate	Acrylonitrile butadiene styrene
Seal material	Acrylonitrile butadiene rubber
Material reservoir	Die cast zinc
Part No.	R412014704

## Technical information

The pressure dew point must be at least 15 °C less than ambient and medium temperature and may not exceed 3 °C.

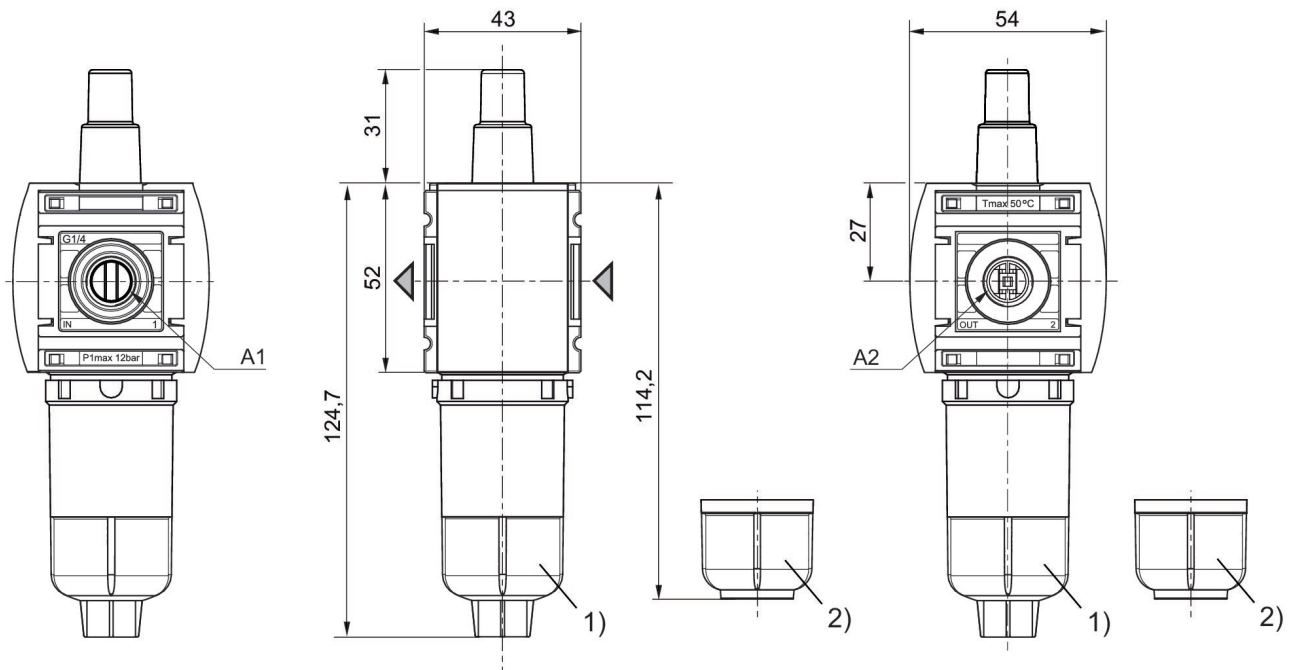
Only approx. 10% of the preset drip quantity enters the compressed air system.

oil filling not possible during operation.

Note: Polycarbonate reservoirs are susceptible to solvents, supplementary information can be found at "Customer information".

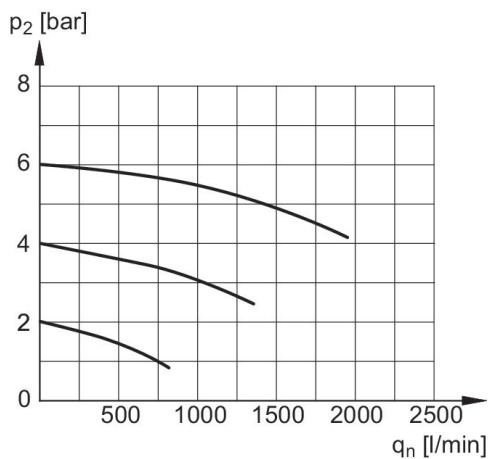
Nominal flow  $Q_n$  with secondary pressure  $p_2 = 6$  bar at  $\Delta p = 1$  bar

### Dimensions in mm



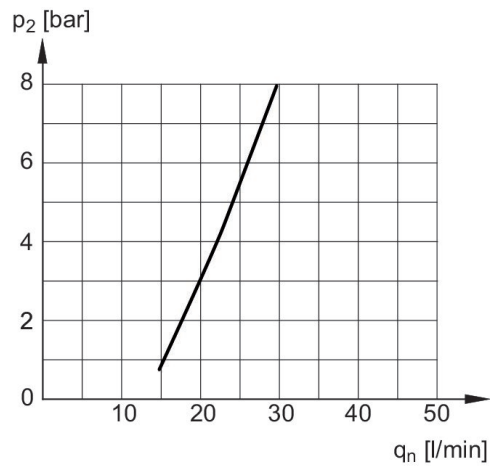
- A1 = input
- 1) A2 = output
- 2) Reservoir: polycarbonate
- Reservoir: metal

### Flow rate characteristic, $p_2 = 0,05 - 7$ bar



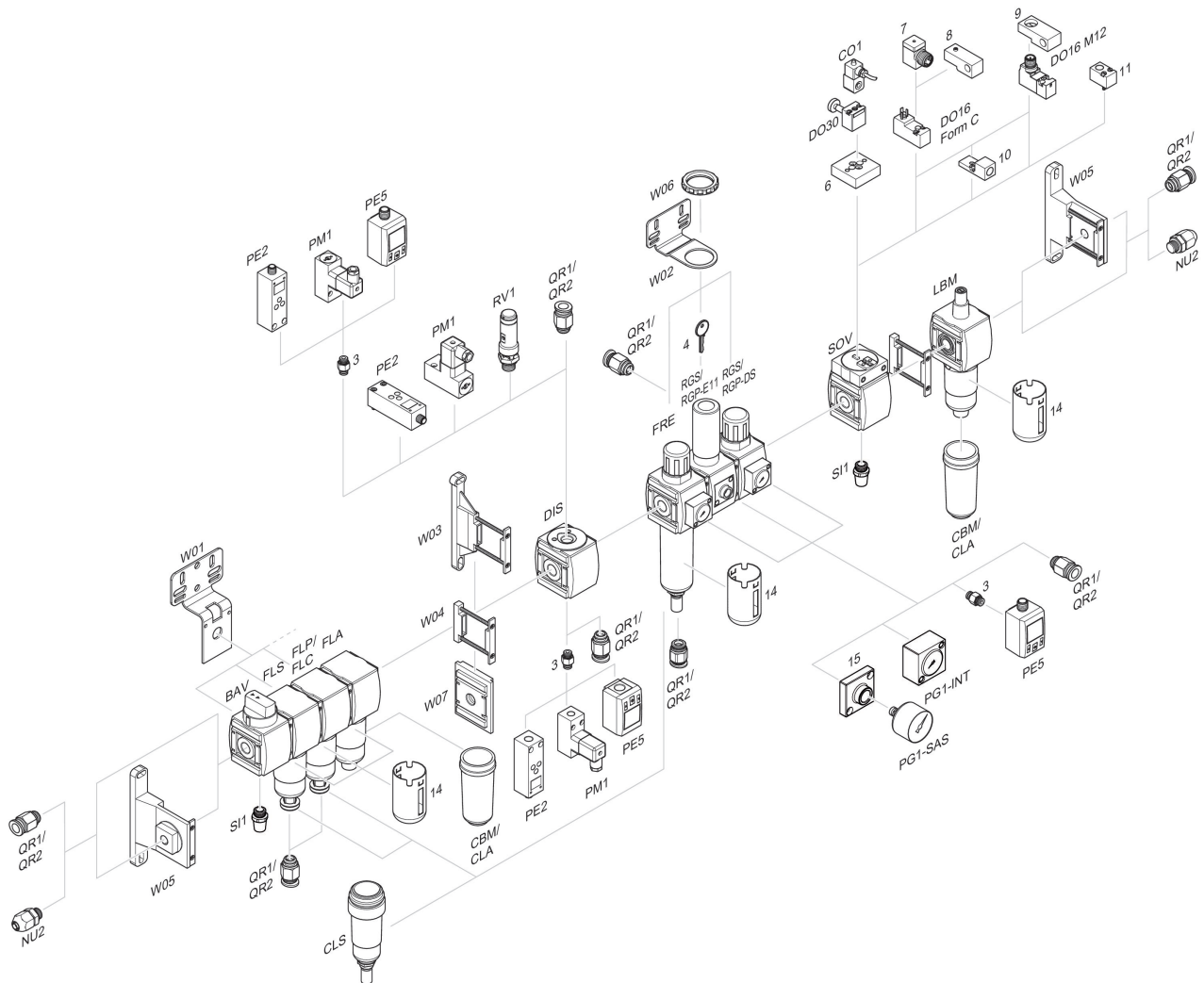
p<sub>2</sub> = Secondary pressure  
q<sub>n</sub> = Nominal flow

### Lubricator activation margin



p<sub>2</sub> = Secondary pressure  
q<sub>n</sub> = Nominal flow

## Accessories overview



3 = Double nipple 4 = Key for E11 locking 6 = Transition plate DO30 7 = Adapter, Series CON-VP 8 = Mounting aid DO16, form C 9 = Mounting aid DO16, M12 10 = Adapter for external pilot air 11 = Adapter pneumatic operation 14 = Protective guard 15 = Transition plate for assembling a pressure gauge with connection thread G 1/8