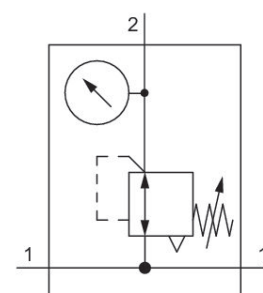


Pressure regulator, Series AS1-RGS-...-DS

R412014721

General series information Series AS1

- The AVENTICS Series AS1 is a modular, versatile maintenance unit for universal application. This Series offers compact dimensions, is highly efficient, lightweight and easy-to-use. The AVENTICS Series AS guarantees reliability, safety, and efficiency with a simplified assembly and maintenance efforts.



Technical data

Industry

Industrial

Function

Standard pressure regulator

Parts

Pressure regulator with continuous pressure supply

Pressure gauge

pressure gauge in hand wheel

Mounting orientation

Any

Regulator type

Diaphragm-type pressure regulator

Port

G 1/4

Nominal flow Qn

1000 l/min

Regulation range min.

0.5 bar

Regulation range max.

8 bar

Working pressure min.

0.5 bar

Working pressure max	12 bar
Min. ambient temperature	-10 °C
Max. ambient temperature	50 °C
Air supply	right
Activation	Manual
Regulator function	with relieving air exhaust
Regulator type	Can be assembled into blocks
Pressure supply	double
Lock type	not lockable
with continuous pressure supply	with continuous pressure supply
Medium	Compressed air Neutral gases
Weight	0.239 kg

Material

Housing material	Polyamide
Material front plate	Acrylonitrile butadiene styrene
Seal material	Acrylonitrile butadiene rubber
Part No.	R412014721

Technical information

The pressure dew point must be at least 15 °C less than ambient and medium temperature and may not exceed 3 °C.

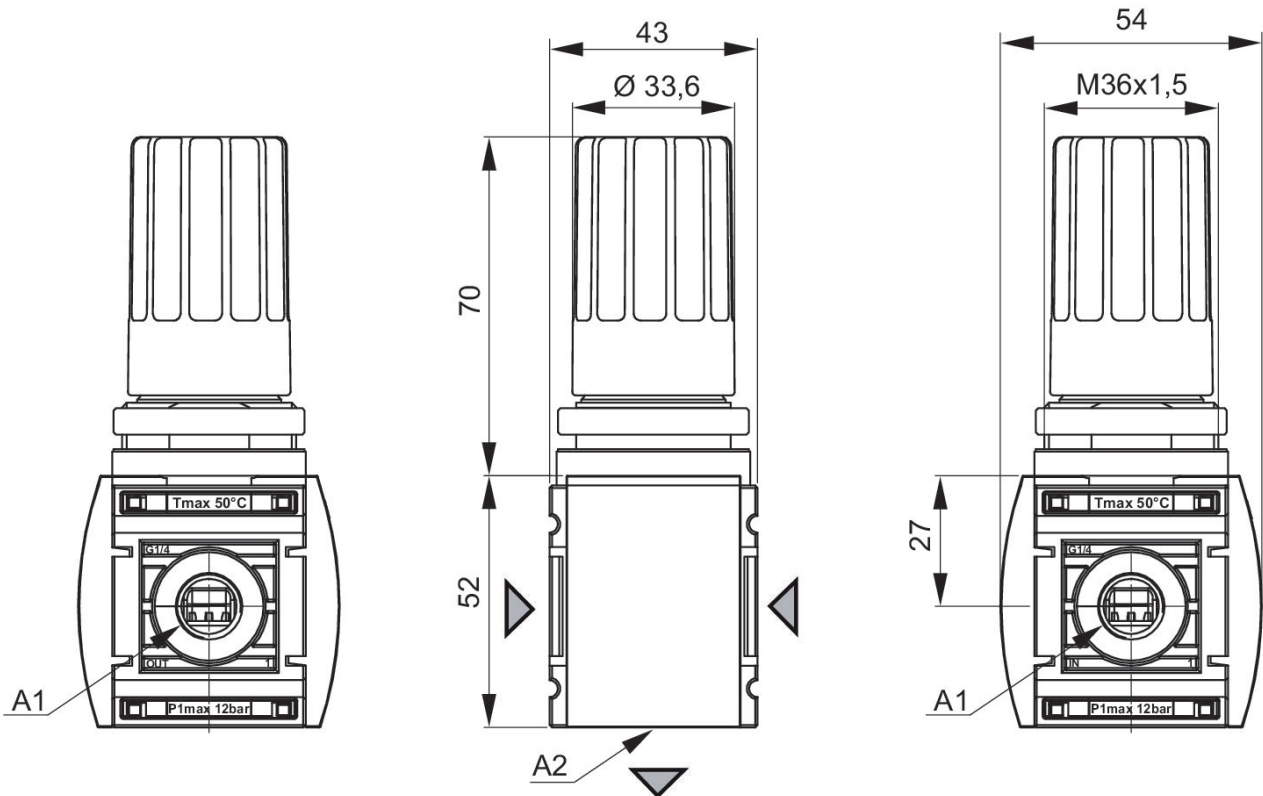
Relieving exhaust (≤ 0.3 bar over set pressure)

With rear exhaust (>3 bar)

Nominal flow Q_n with secondary pressure $p_2 = 6$ bar at $\Delta p = 1$ bar

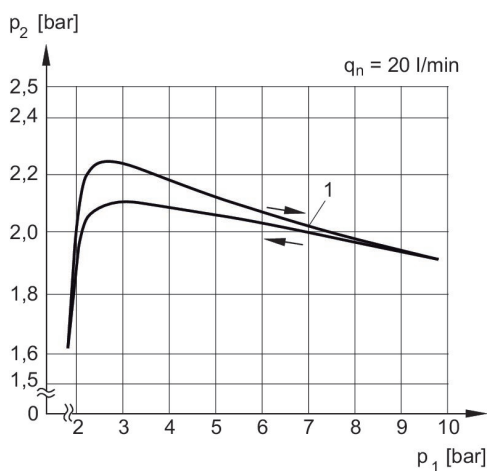
Panel nut included in scope of delivery

Dimensions in mm



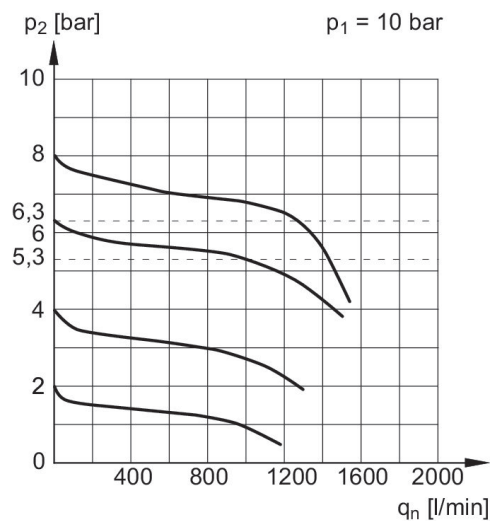
A1 = input
A2 = output
1) Pressure gauge connection

Pressure characteristics curve



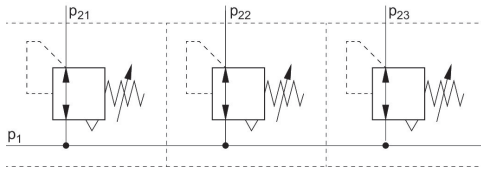
p1 = Working pressure
p2 = Secondary pressure
qn = Nominal flow
1) = Starting point

Flow rate characteristic, p2 = 0,05 - 7 bar



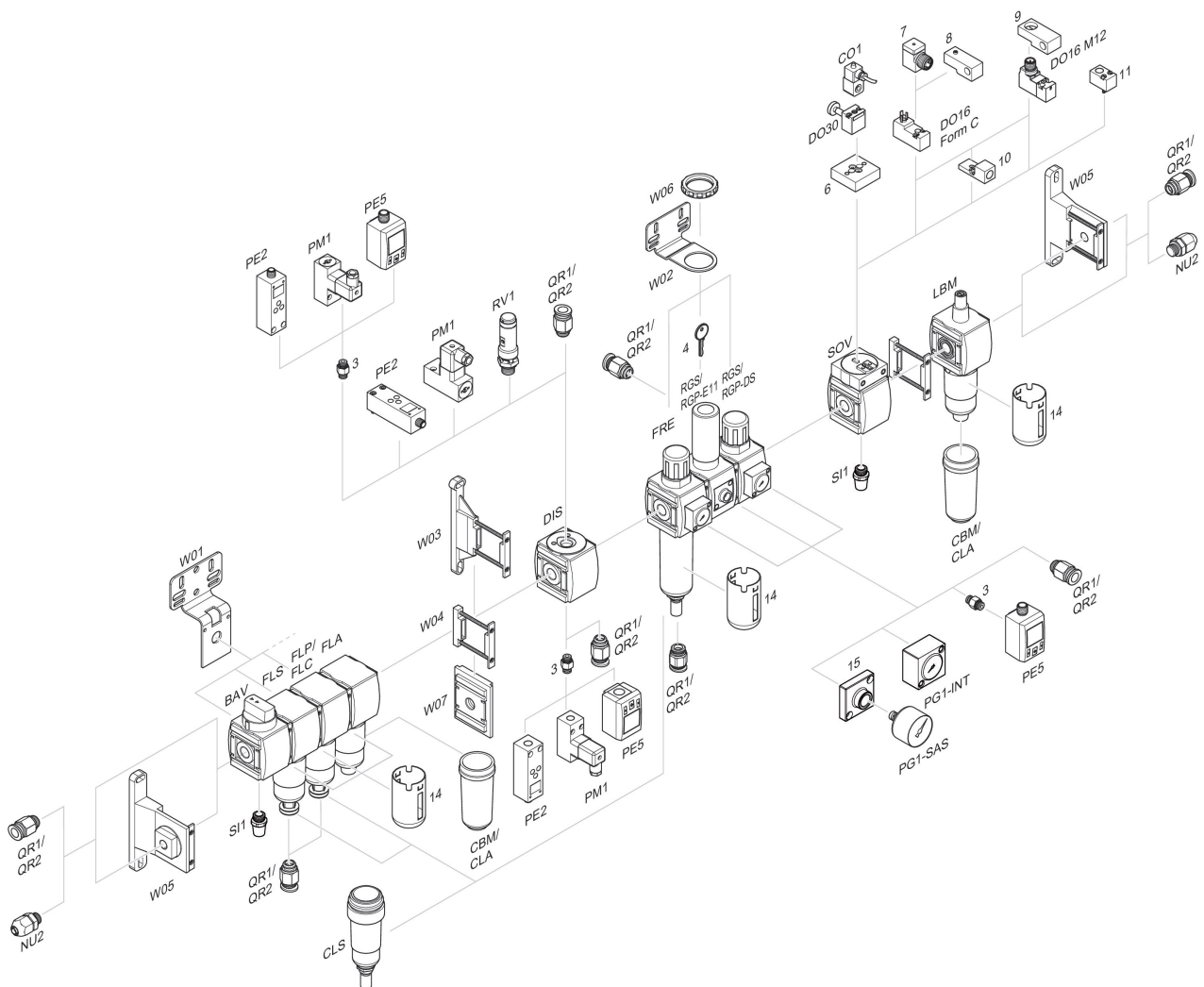
p1 = Working pressure
p2 = Secondary pressure
qn = Nominal flow

Application example



p1 = Working pressure

Accessories overview



3 = Double nipple 4 = Key for E11 locking 6 = Transition plate DO30 7 = Adapter, Series CON-VP 8 = Mounting aid DO16, form C 9 = Mounting aid DO16, M12 10 = Adapter for external pilot air 11 = Adapter pneumatic operation 14 = Protective guard 15 = Transition plate for assembling a pressure gauge with connection thread G 1/8