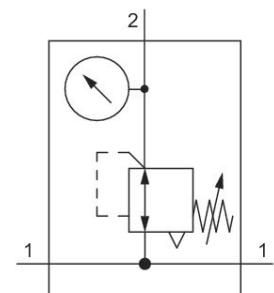


# Pressure regulator, Series AS1-RGS-...-DS

## R412014722

### General series information Series AS1

- The AVENTICS Series AS1 is a modular, versatile maintenance unit for universal application. This Series offers compact dimensions, is highly efficient, lightweight and easy-to-use. The AVENTICS Series AS guarantees reliability, safety, and efficiency with a simplified assembly and maintenance efforts.



### Technical data

Industry

Function

Parts

Pressure gauge

Mounting orientation

Regulator type

Port

Nominal flow Qn

Regulation range min.

Regulation range max.

Working pressure min.

Industrial

Standard pressure regulator

Pressure regulator with continuous pressure supply

pressure gauge in hand wheel

Any

Diaphragm-type pressure regulator

G 1/4

1000 l/min

0.5 bar

10 bar

0.5 bar

|                                 |                                 |
|---------------------------------|---------------------------------|
| Working pressure max            | 12 bar                          |
| Min. ambient temperature        | -10 °C                          |
| Max. ambient temperature        | 50 °C                           |
| Air supply                      | right                           |
| Activation                      | Manual                          |
| Regulator function              | with relieving air exhaust      |
| Regulator type                  | Can be assembled into blocks    |
| Pressure supply                 | double                          |
| Lock type                       | not lockable                    |
| with continuous pressure supply | with continuous pressure supply |
| Medium                          | Compressed air<br>Neutral gases |
| Weight                          | 0.239 kg                        |

## Material

|                      |                                 |
|----------------------|---------------------------------|
| Housing material     | Polyamide                       |
| Material front plate | Acrylonitrile butadiene styrene |
| Seal material        | Acrylonitrile butadiene rubber  |
| Part No.             | R412014722                      |

## Technical information

The pressure dew point must be at least 15 °C less than ambient and medium temperature and may not exceed 3 °C.

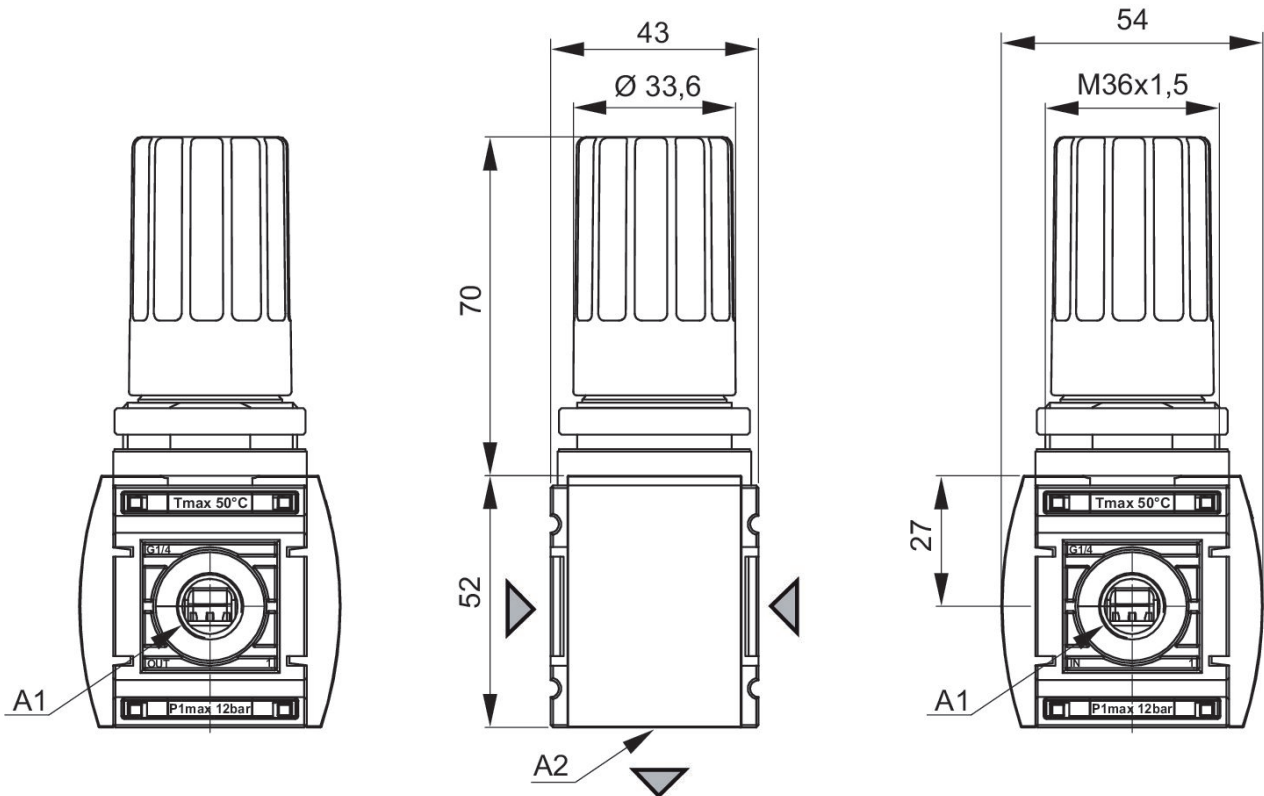
Relieving exhaust ( $\leq 0.3$  bar over set pressure)

With rear exhaust ( $>3$  bar)

Nominal flow  $Q_n$  with secondary pressure  $p_2 = 6$  bar at  $\Delta p = 1$  bar

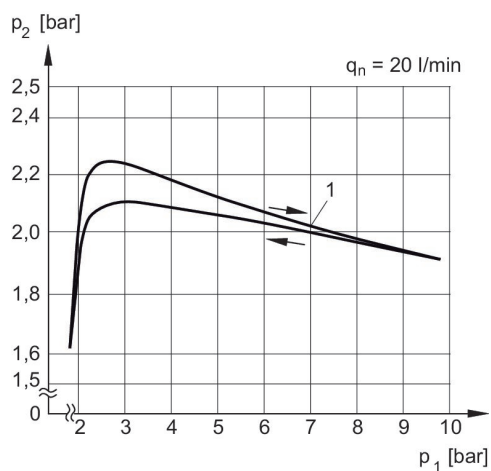
Panel nut included in scope of delivery

## Dimensions in mm



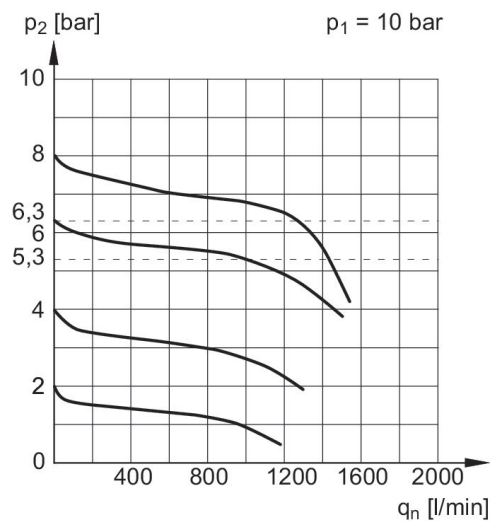
A1 = input  
A2 = output  
1) Pressure gauge connection

## Pressure characteristics curve



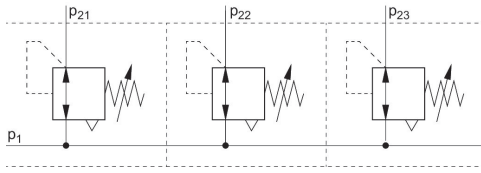
p1 = Working pressure  
p2 = Secondary pressure  
qn = Nominal flow  
1) = Starting point

## Flow rate characteristic, p2 = 0,05 - 7 bar



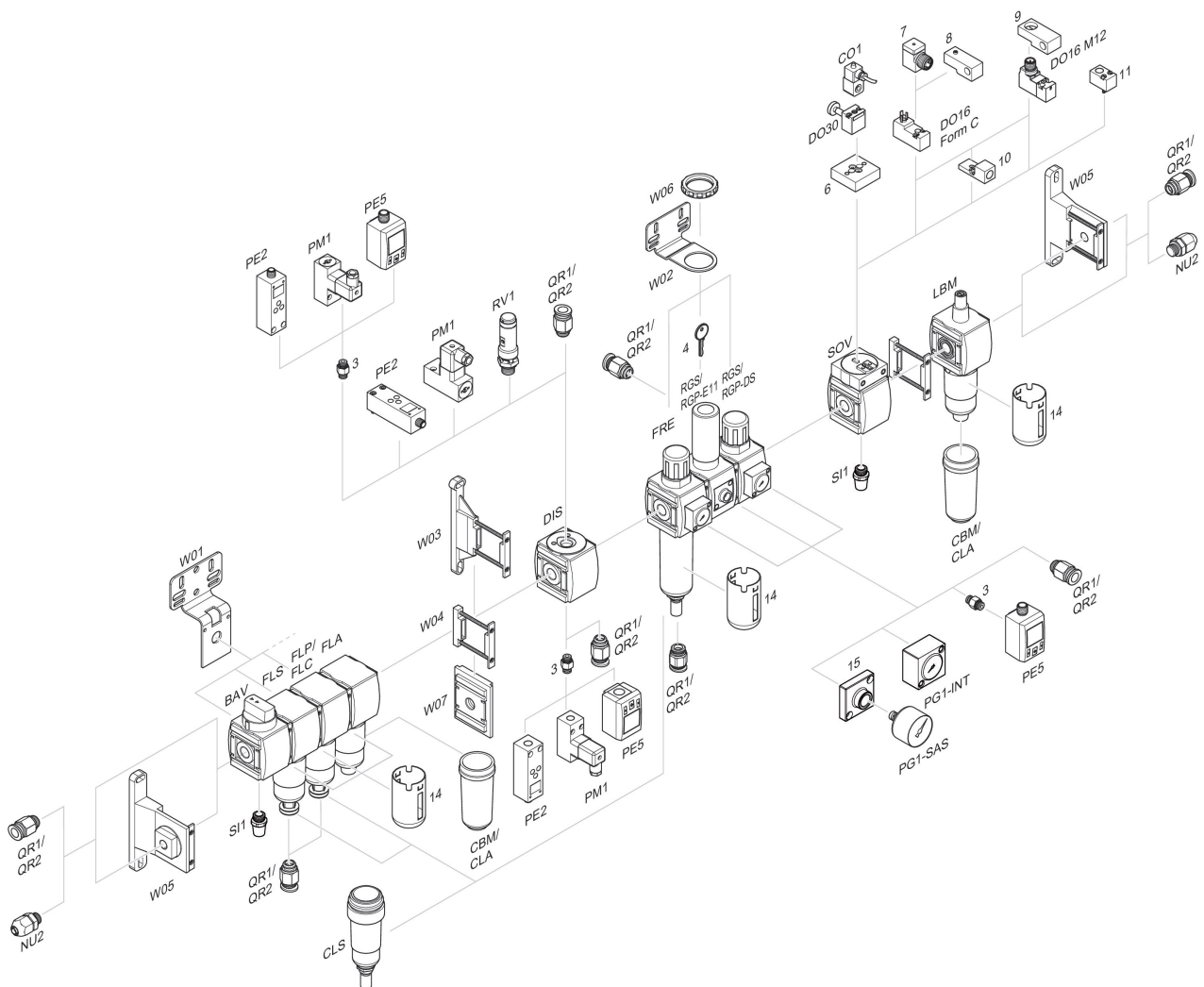
p1 = Working pressure  
p2 = Secondary pressure  
qn = Nominal flow

## Application example



p1 = Working pressure

## Accessories overview



3 = Double nipple 4 = Key for E11 locking 6 = Transition plate DO30 7 = Adapter, Series CON-VP 8 = Mounting aid DO16, form C 9 = Mounting aid DO16, M12 10 = Adapter for external pilot air 11 = Adapter pneumatic operation 14 = Protective guard 15 = Transition plate for assembling a pressure gauge with connection thread G 1/8