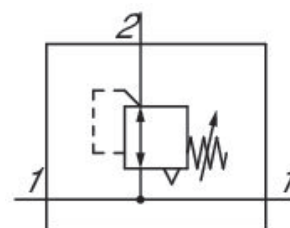


Pressure regulator, Series AS1-RGS-...-DS

R412014714

General series information Series AS1

- The AVENTICS Series AS1 is a modular, versatile maintenance unit for universal application. This Series offers compact dimensions, is highly efficient, lightweight and easy-to-use. The AVENTICS Series AS guarantees reliability, safety, and efficiency with a simplified assembly and maintenance efforts.



Technical data

| | |
|--------------------------|--|
| Industry | Industrial |
| Function | Standard pressure regulator |
| Parts | Pressure regulator with continuous pressure supply without pressure gauge |
| Pressure gauge | Any |
| Mounting orientation | Diaphragm-type pressure regulator |
| Regulator type | G 1/4 |
| Port | 1000 l/min |
| Nominal flow Qn | 0.2 bar |
| Regulation range min. | 4 bar |
| Regulation range max. | 0.2 bar |
| Working pressure min. | 12 bar |
| Working pressure max. | -10 °C |
| Min. ambient temperature | |

| | |
|--|---------------------------------|
| Max. ambient temperature | 50 °C |
| Air supply | right |
| Activation | Manual |
| Regulator function | with relieving air exhaust |
| Regulator type | Can be assembled into blocks |
| Pressure supply | double |
| Lock type | not lockable |
| with continuous pressure supply | with continuous pressure supply |
| Max. pressure gauge Ø in blocked state | 40 mm |
| Medium | Compressed air Neutral gases |
| Weight | 0.206 kg |

Material

| | |
|----------------------|---------------------------------|
| Housing material | Polyamide |
| Material front plate | Acrylonitrile butadiene styrene |
| Seal material | Acrylonitrile butadiene rubber |
| Part No. | R412014714 |

Technical information

The pressure dew point must be at least 15 °C less than ambient and medium temperature and may not exceed 3 °C.

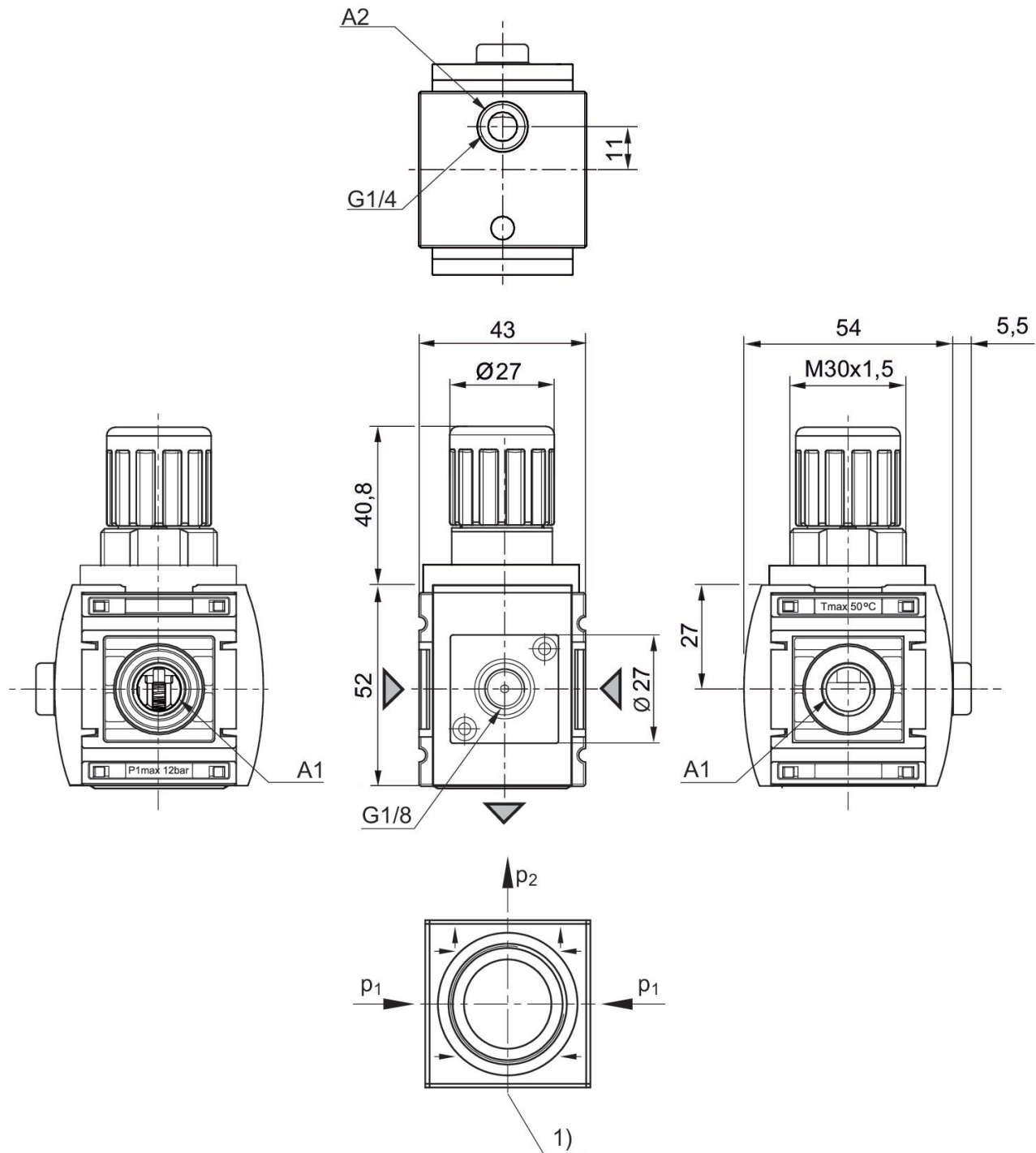
Relieving exhaust (≤ 0.3 bar over set pressure)

With rear exhaust (>3 bar)

Nominal flow Q_n with secondary pressure $p_2 = 6$ bar at $\Delta p = 1$ bar

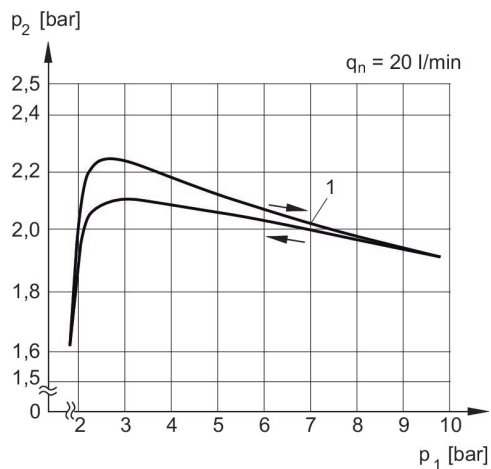
Order pressure gauge separately

Dimensions in mm



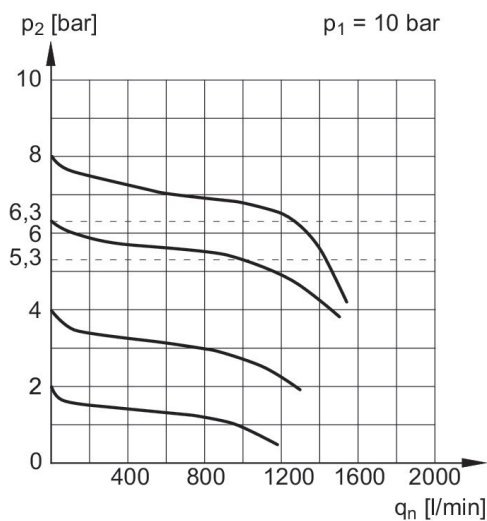
A1 = input
A2 = output
1) Pressure gauge connection

Pressure characteristics curve



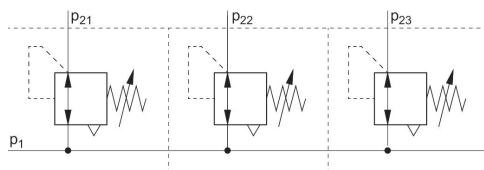
p1 = Working pressure
p2 = Secondary pressure
qn = Nominal flow
1) = Starting point

Flow rate characteristic, p2 = 0,05 - 7 bar



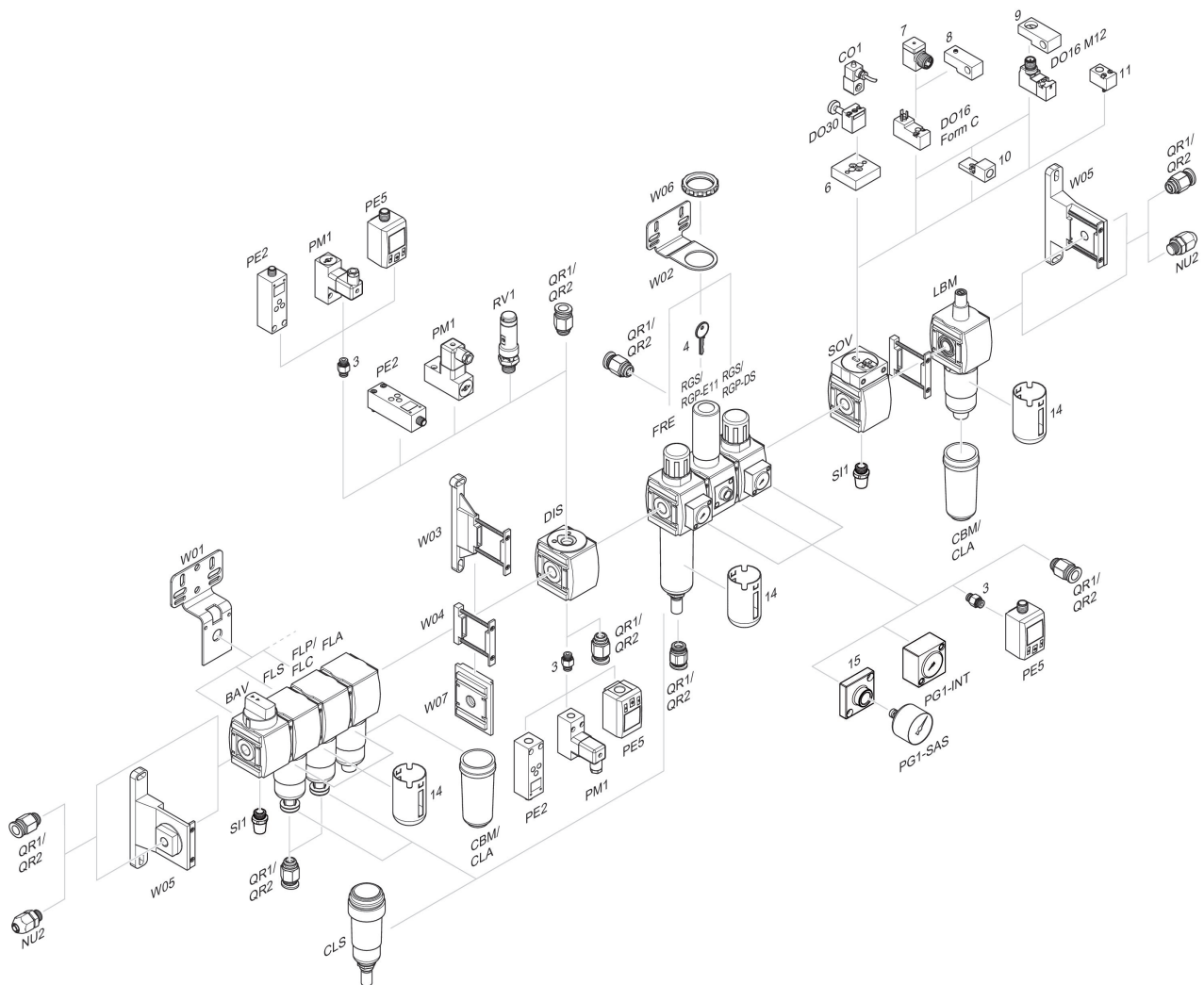
p1 = Working pressure
p2 = Secondary pressure
qn = Nominal flow

Application example



p1 = Working pressure

Accessories overview



3 = Double nipple 4 = Key for E11 locking 6 = Transition plate DO30 7 = Adapter, Series CON-VP 8 = Mounting aid DO16, form C 9 = Mounting aid DO16, M12 10 = Adapter for external pilot air 11 = Adapter pneumatic operation 14 = Protective guard 15 = Transition plate for assembling a pressure gauge with connection thread G 1/8