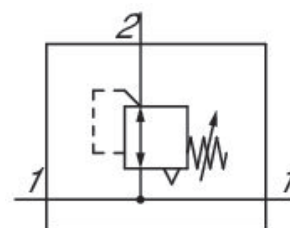


# Pressure regulator, Series AS1-RGS-...-DS

## R412014638

### General series information Series AS1

- The AVENTICS Series AS1 is a modular, versatile maintenance unit for universal application. This Series offers compact dimensions, is highly efficient, lightweight and easy-to-use. The AVENTICS Series AS guarantees reliability, safety, and efficiency with a simplified assembly and maintenance efforts.



### Technical data

Industry	Industrial
Function	Standard pressure regulator
Parts	Pressure regulator with continuous pressure supply without pressure gauge
Pressure gauge	Any
Mounting orientation	Diaphragm-type pressure regulator
Regulator type	G 1/4
Port	1000 l/min
Nominal flow Qn	0.5 bar
Regulation range min.	10 bar
Regulation range max.	0.5 bar
Working pressure min.	12 bar
Working pressure max.	-10 °C
Min. ambient temperature	

Max. ambient temperature	50 °C
Air supply	left
Activation	Manual
Regulator function	with relieving air exhaust
Regulator type	Can be assembled into blocks
Pressure supply	double
Lock type	not lockable
with continuous pressure supply	with continuous pressure supply
Max. pressure gauge Ø in blocked state	40 mm
Medium	Compressed air Neutral gases
Weight	0.206 kg

## Material

Housing material	Polyamide
Material front plate	Acrylonitrile butadiene styrene
Seal material	Acrylonitrile butadiene rubber
Part No.	R412014638

## Technical information

The pressure dew point must be at least 15 °C less than ambient and medium temperature and may not exceed 3 °C.

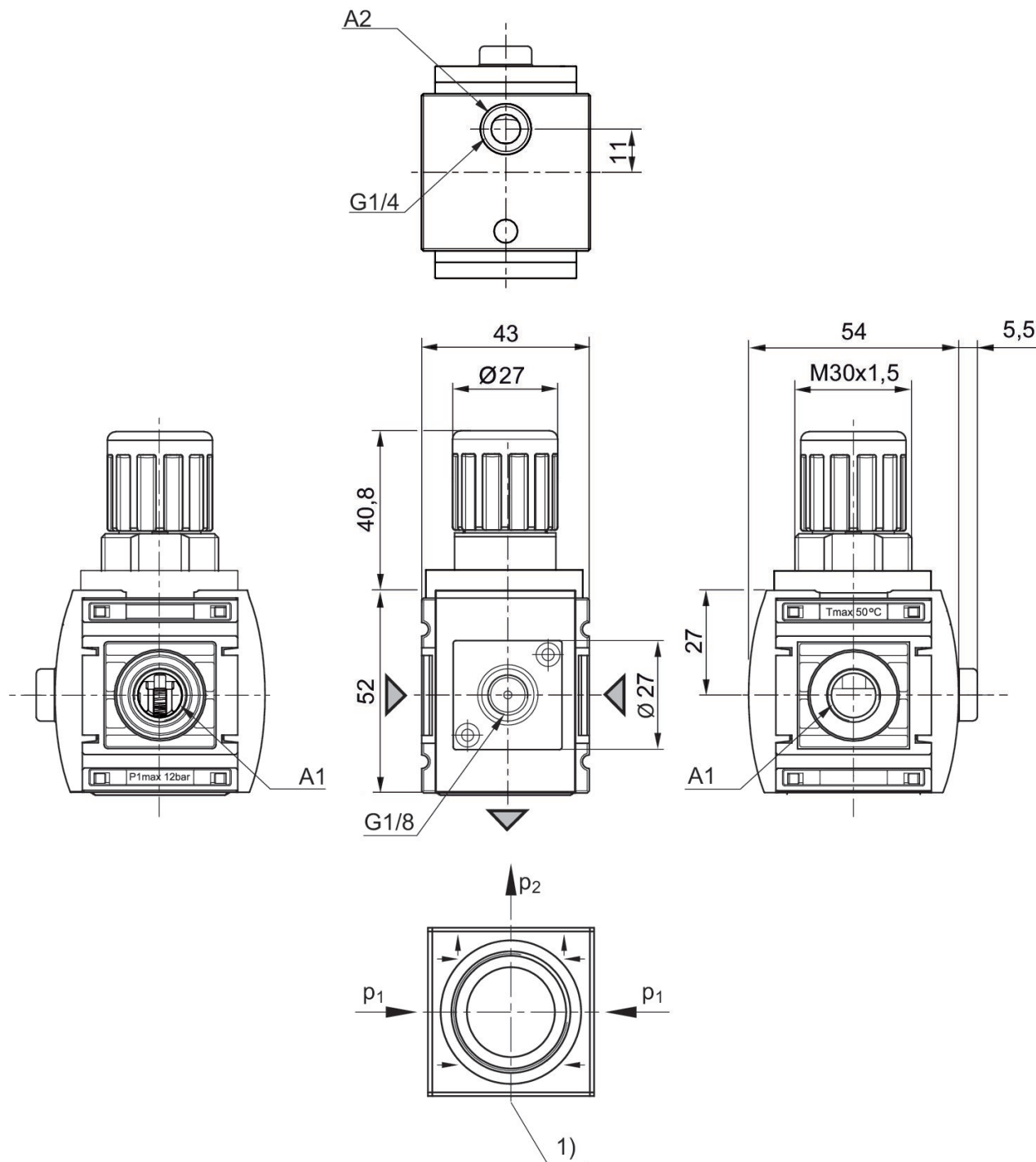
Relieving exhaust ( $\leq 0.3$  bar over set pressure)

With rear exhaust ( $>3$  bar)

Nominal flow  $Q_n$  with secondary pressure  $p_2 = 6$  bar at  $\Delta p = 1$  bar

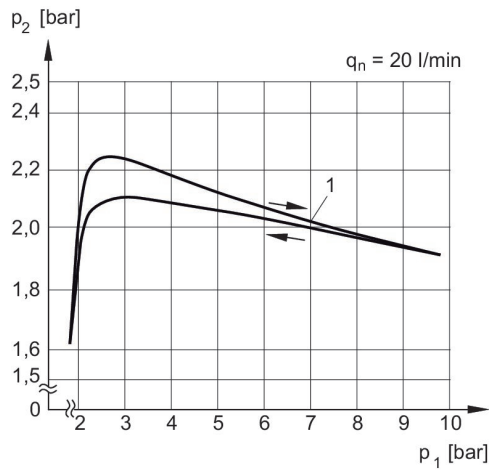
Order pressure gauge separately

### Dimensions in mm



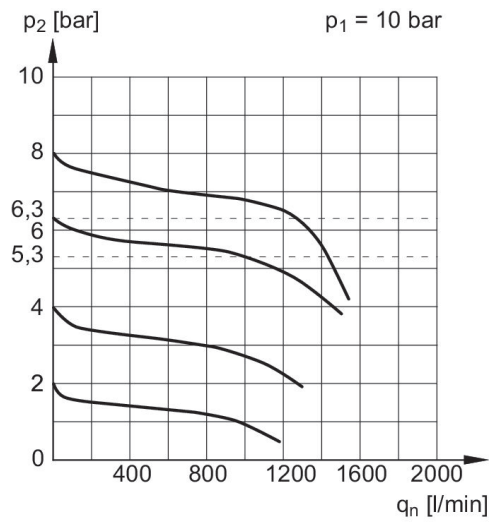
A1 = input  
A2 = output  
1) Pressure gauge connection

### Pressure characteristics curve



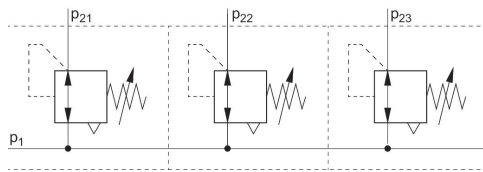
p1 = Working pressure  
p2 = Secondary pressure  
qn = Nominal flow  
1) = Starting point

### Flow rate characteristic, p2 = 0,05 - 7 bar



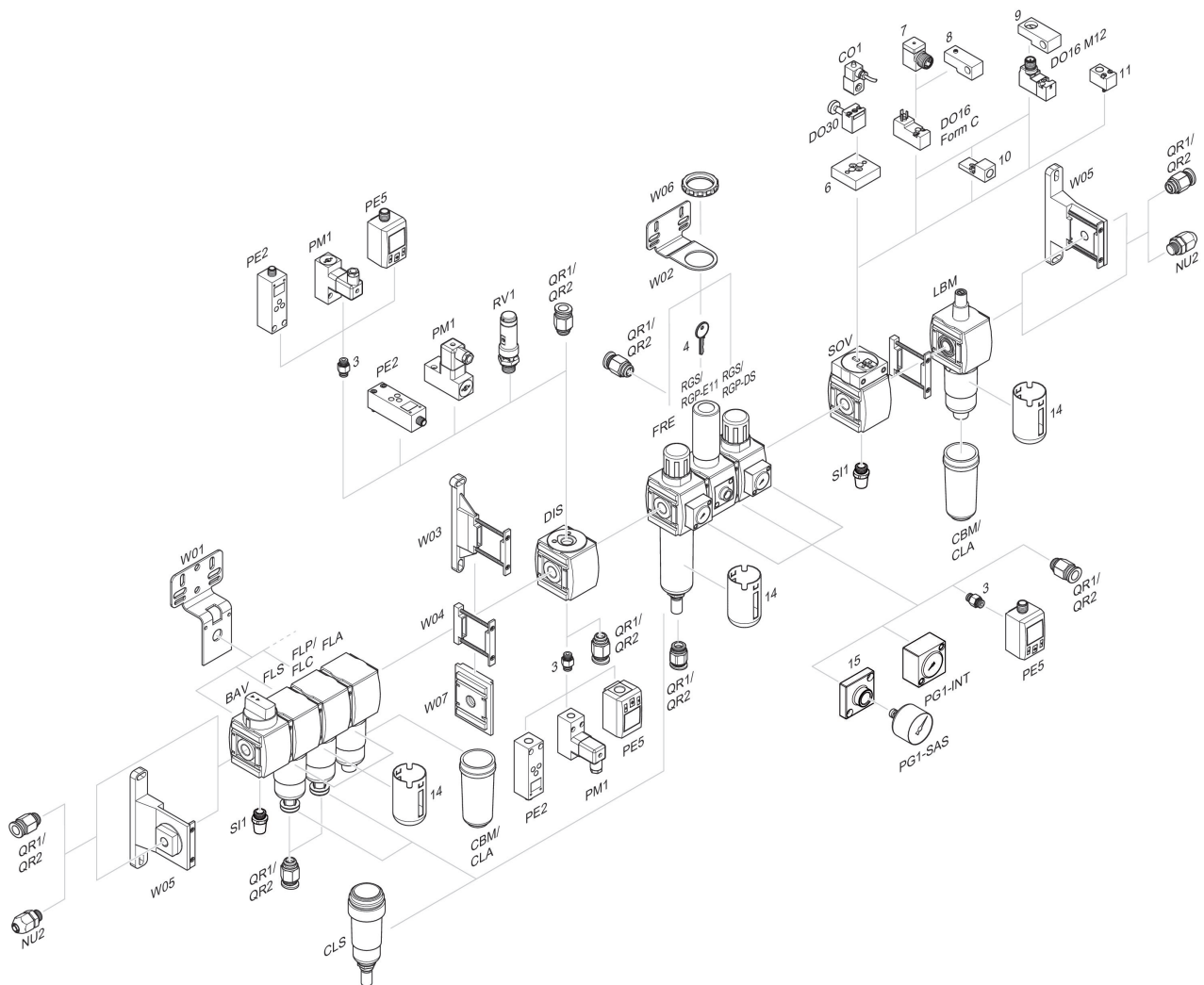
p1 = Working pressure  
p2 = Secondary pressure  
qn = Nominal flow

### Application example



p1 = Working pressure

## Accessories overview



3 = Double nipple 4 = Key for E11 locking 6 = Transition plate DO30 7 = Adapter, Series CON-VP 8 = Mounting aid DO16, form C 9 = Mounting aid DO16, M12 10 = Adapter for external pilot air 11 = Adapter pneumatic operation 14 = Protective guard 15 = Transition plate for assembling a pressure gauge with connection thread G 1/8