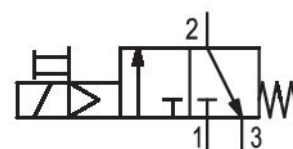


# 3/2-directional valve, electrically operated, Series AS1-SOV

## R412014744

### General series information Series AS1

- The AVENTICS Series AS1 is a modular, versatile maintenance unit for universal application. This Series offers compact dimensions, is highly efficient, lightweight and easy-to-use. The AVENTICS Series AS guarantees reliability, safety, and efficiency with a simplified assembly and maintenance efforts.



### Technical data

Industry	Industrial
Activation	Electrically
Nominal flow Qn	2000 l/min
Version	NC
Compressed air connection	G 1/4
Working pressure min.	2 bar
Working pressure max	10 bar
DC operating voltage	24 V
Sealing principle	soft seal
Pilot	Internal
Connection type	Pipe connection
Parts	3/2-directional valve
Can be assembled into blocks	Can be assembled into blocks

basic valve with electrical connector	Basic valve with pilot valve
Type	Poppet valve
Min. ambient temperature	-10 °C
Max. ambient temperature	50 °C
Medium	Compressed air Neutral gases
Max. particle size	25 µm
Oil content of compressed air min.	0 mg/m <sup>3</sup>
Oil content of compressed air max.	5 mg/m <sup>3</sup>
Compressed air connection, exhaust	G 1/4
Air supply	right
Nominal flow Qn 1 to 2	2000 l/min
Nominal flow Qn 2 to 3	380 l/min
Operating voltage	24 V DC
Power consumption DC	2 W
Duty cycle	100 %
Connector standard	EN 175301-803, form C
Protection class with connection	IP65
Electrical connection type 2	Plug
Electrical connection 2, thread size	ISO 15217, form C
Weight	0.2154 kg

## Material

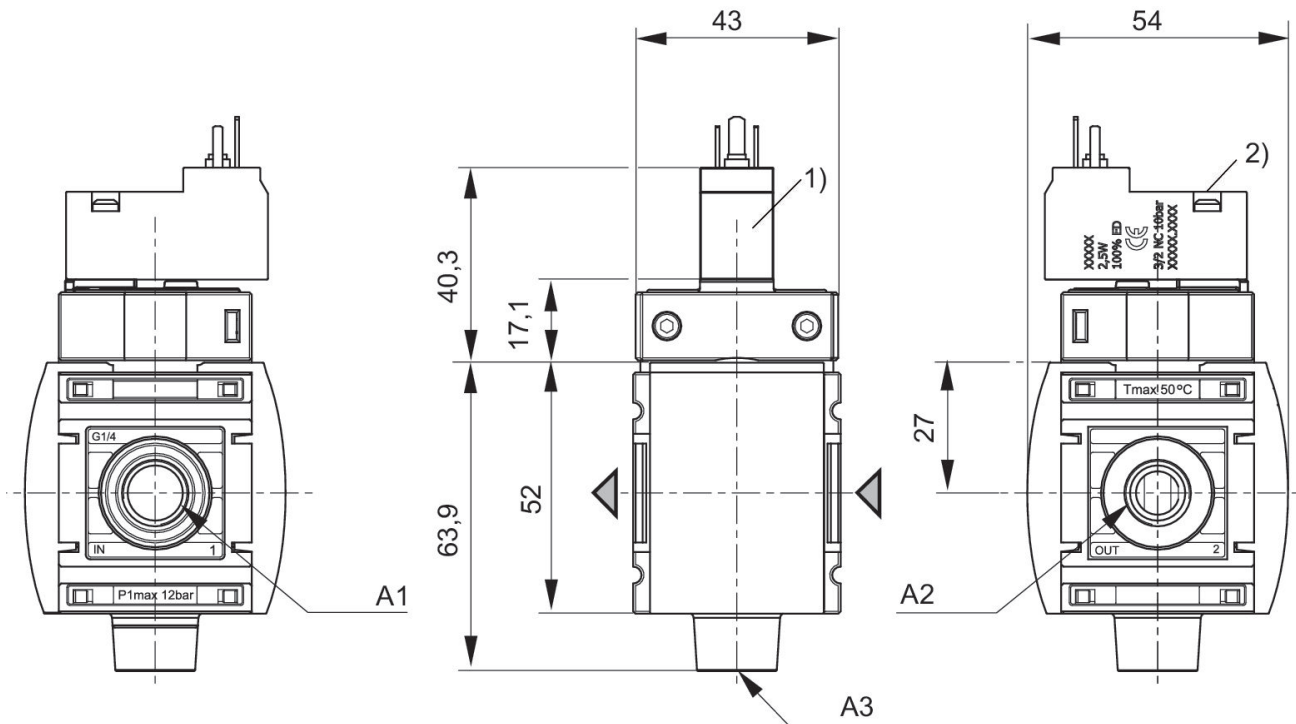
Housing material	Polyamide
Seal material	Acrylonitrile butadiene rubber
Material front plate	Acrylonitrile butadiene styrene
Part No.	R412014744

## Technical information

The pressure dew point must be at least 15 °C less than ambient and medium temperature and may not exceed 3 °C.

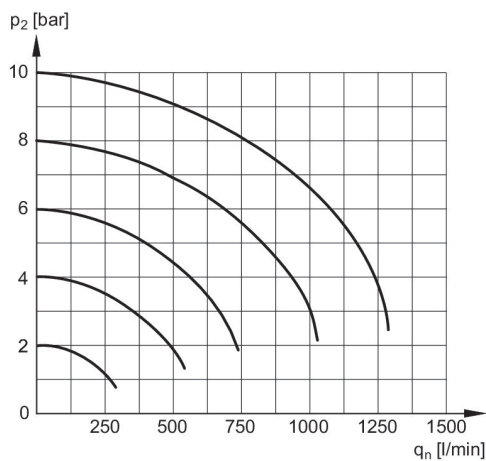
Nominal flow Qn with secondary pressure p<sub>2</sub> = 6 bar at Δp = 1 bar

### Dimensions in mm



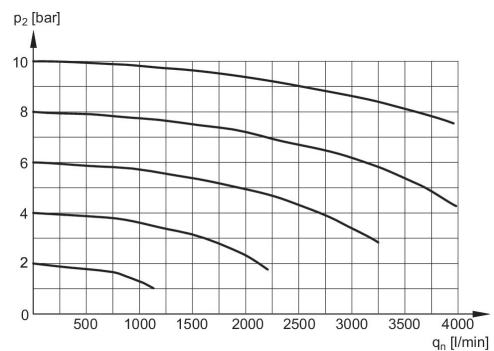
- A1 = input
- A2 = output
- A3 = ventilation port
- 1) For valve plug connectors according to ISO 15217 (form C)
- 2) Manual override

### Rear exhaust



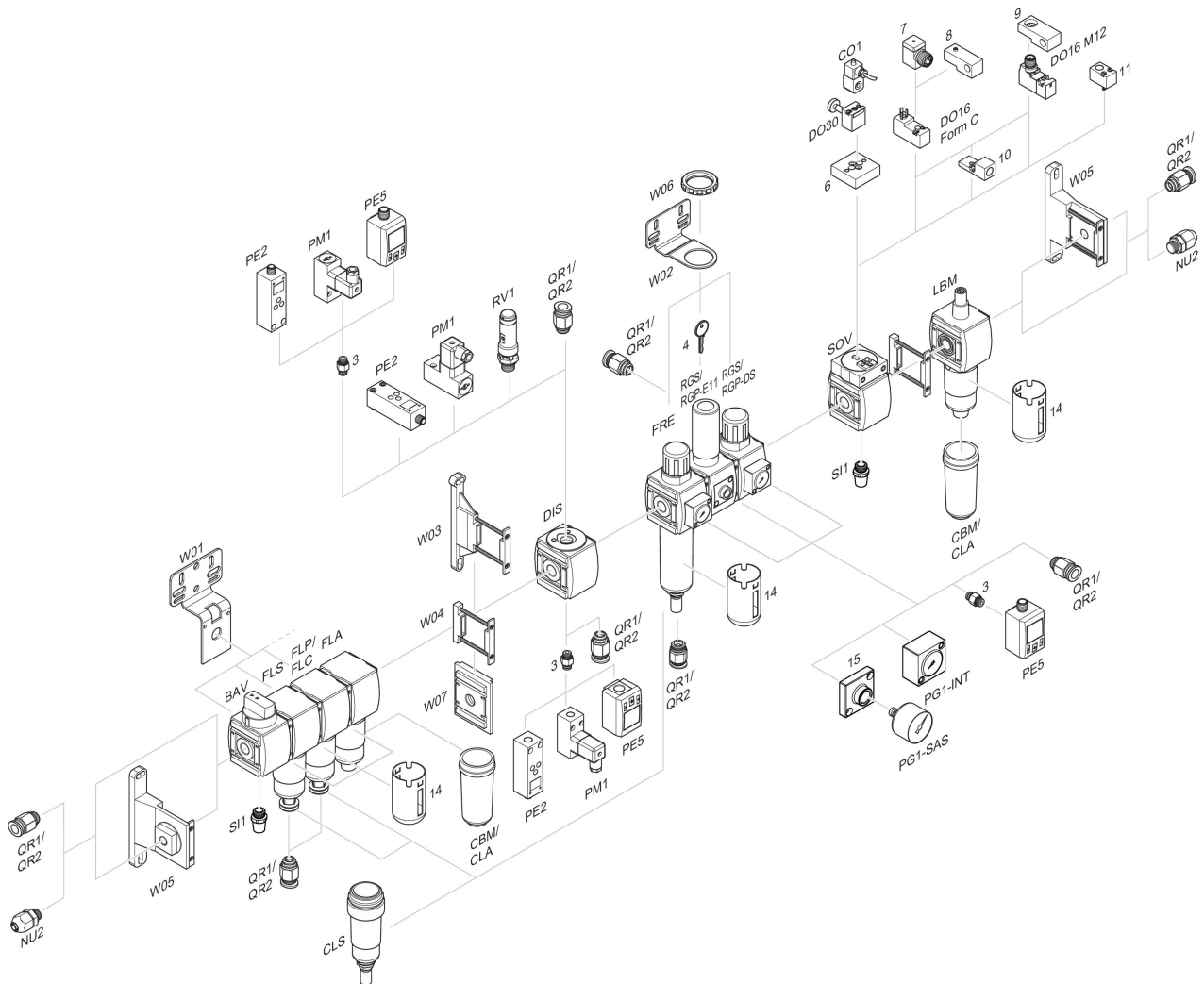
$p_2$  = Secondary pressure  
 $q_n$  = Nominal flow

### Flow rate characteristic, $p_2 = 0,05 - 7$ bar



$p_2$  = Secondary pressure  
 $q_n$  = Nominal flow

## Accessories overview



3 = Double nipple 4 = Key for E11 locking 6 = Transition plate DO30 7 = Adapter, Series CON-VP 8 = Mounting aid DO16, form C 9 = Mounting aid DO16, M12 10 = Adapter for external pilot air 11 = Adapter pneumatic operation 14 = Protective guard 15 = Transition plate for assembling a pressure gauge with connection thread G 1/8