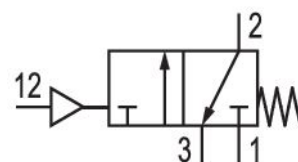


# 3/2-directional valve, pneumatically operated, Series AS1-SOV

R412014743

## General series information Series AS1

- The AVENTICS Series AS1 is a modular, versatile maintenance unit for universal application. This Series offers compact dimensions, is highly efficient, lightweight and easy-to-use. The AVENTICS Series AS guarantees reliability, safety, and efficiency with a simplified assembly and maintenance efforts.



## Technical data

Industry  
Industrial

Activation  
Pneumatically

Parts  
3/2-directional valve

Nominal flow Qn  
2000 l/min

Air supply  
right

Compressed air connection  
G 1/4

Working pressure min.  
0 bar

Working pressure max  
12 bar

Connection type  
Pipe connection

Sealing principle  
Soft Seal

Type  
Poppet valve

Can be assembled into blocks  
Can be assembled into blocks

Control pressure min.  
2.5 bar

Control pressure max.  
12 bar

Min. ambient temperature  
-10 °C

Max. ambient temperature  
50 °C

### Medium

Compressed air  
Neutral gases

Compressed air connection pilot exhaust  
G 1/8

Compressed air connection, exhaust  
G 1/4

Nominal flow Qn 1 to 2  
2000 l/min

Nominal flow Qn 2 to 3  
380 l/min

Weight  
0.09 kg

## Material

Housing material  
Polyamide

Seal material  
Acrylonitrile butadiene rubber

Material, front cover  
Acrylonitrile butadiene styrene

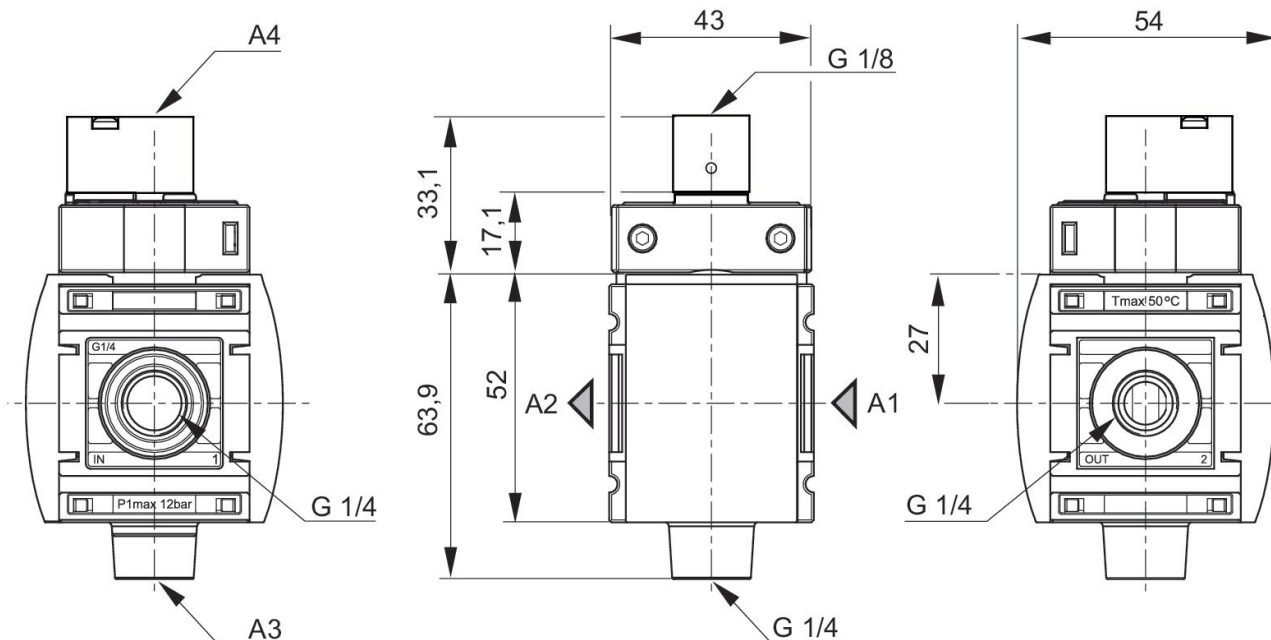
Part No.  
R412014743

## Technical information

The pressure dew point must be at least 15 °C under ambient and medium temperature and may not exceed 3 °C .

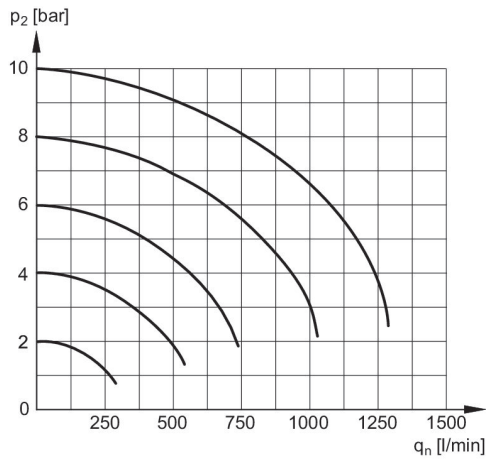
Nominal flow Qn with secondary pressure p2 = 6 bar at  $\Delta p = 1$  bar

## Dimensions in mm



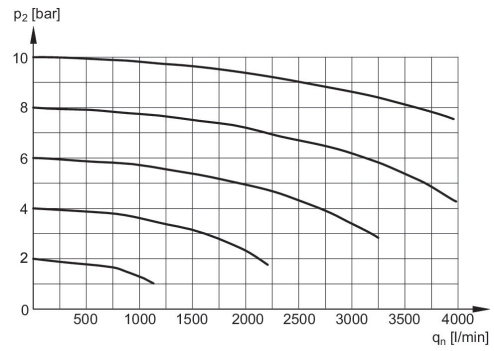
A1 = input  
A2 = output  
A3 = ventilation port  
A4 = control pressure connection

### Rear exhaust



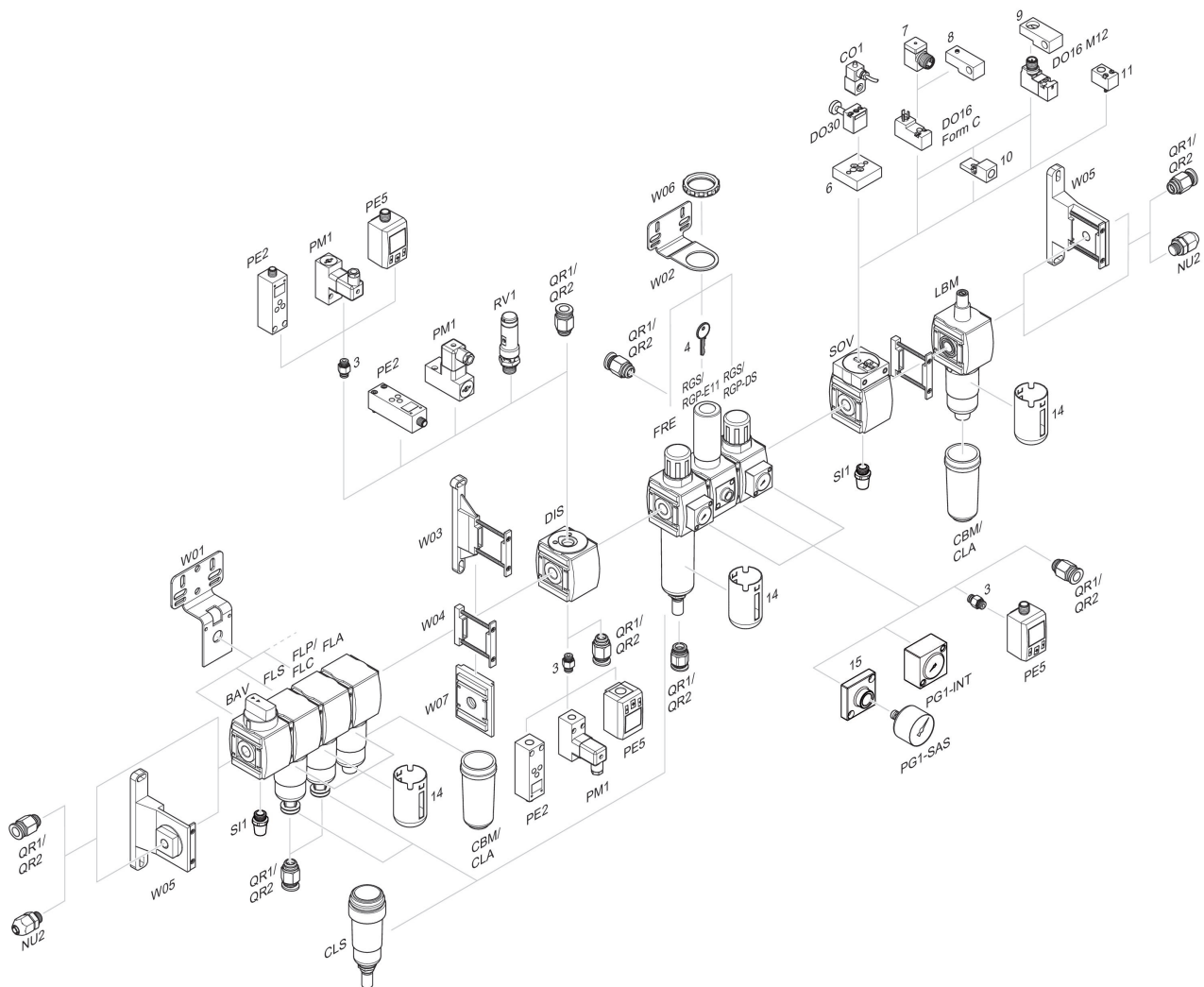
p2 = Secondary pressure  
qn = Nominal flow

### Flow rate characteristic, p2 = 0,05 - 7 bar



p2 = Secondary pressure  
qn = Nominal flow

## Accessories overview



3 = Double nipple 4 = Key for E11 locking 6 = Transition plate DO30 7 = Adapter, Series CON-VP 8 = Mounting aid DO16, form C 9 = Mounting aid DO16, M12 10 = Adapter for external pilot air 11 = Adapter pneumatic operation 14 = Protective guard 15 = Transition plate for assembling a pressure gauge with connection thread G 1/8