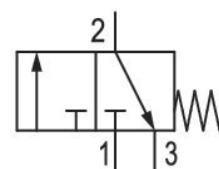


3/2-directional valve, electrically operated, Series AS1-SOV

R412014670

General series information Series AS1

- The AVENTICS Series AS1 is a modular, versatile maintenance unit for universal application. This Series offers compact dimensions, is highly efficient, lightweight and easy-to-use. The AVENTICS Series AS guarantees reliability, safety, and efficiency with a simplified assembly and maintenance efforts.



Technical data

Industry
Activation
Nominal flow Q_n
Version
Compressed air connection
Working pressure min.
Working pressure max
Sealing principle
Pilot
Connection type
Parts
Can be assembled into blocks

Industrial
Electrically
2000 l/min
NC
G 1/4
2 bar
12 bar
soft seal
Internal
Pipe connection
3/2-directional valve
Can be assembled into blocks

basic valve with electrical connector	Basic valve without pilot valve, with CNOMO subbase
Type	Poppet valve
Min. ambient temperature	-10 °C
Max. ambient temperature	50 °C
Medium	Compressed air Neutral gases
Max. particle size	25 µm
Oil content of compressed air min.	0 mg/m ³
Oil content of compressed air max.	5 mg/m ³
Compressed air connection, exhaust	G 1/4
Air supply	left
Nominal flow Qn 1 to 2	2000 l/min
Nominal flow Qn 2 to 3	380 l/min
Protection class with connection	IP65
Weight	0.2096 kg

Material

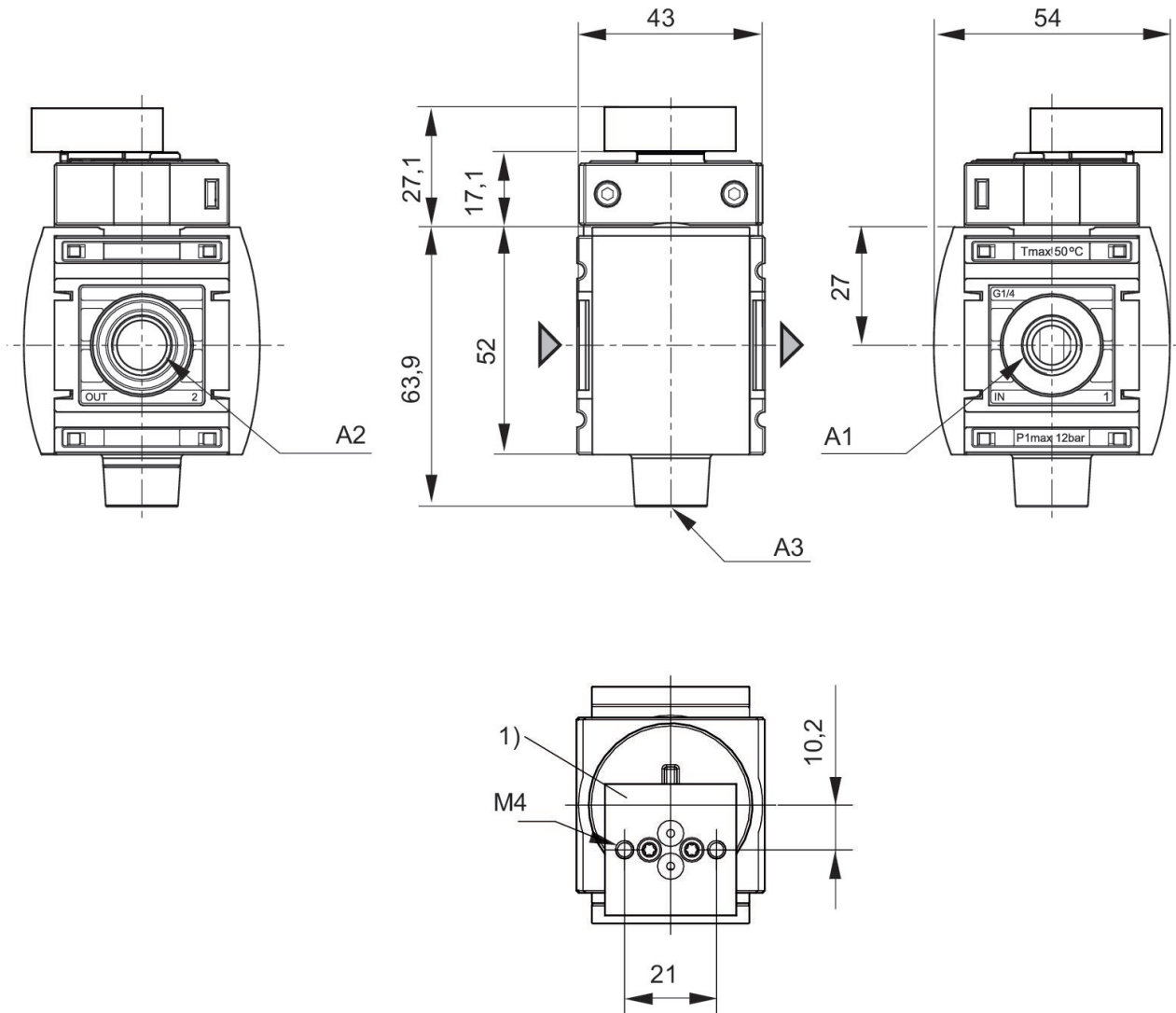
Housing material	Polyamide
Seal material	Acrylonitrile butadiene rubber
Material front plate	Acrylonitrile butadiene styrene
Part No.	R412014670

Technical information

The pressure dew point must be at least 15 °C less than ambient and medium temperature and may not exceed 3 °C.

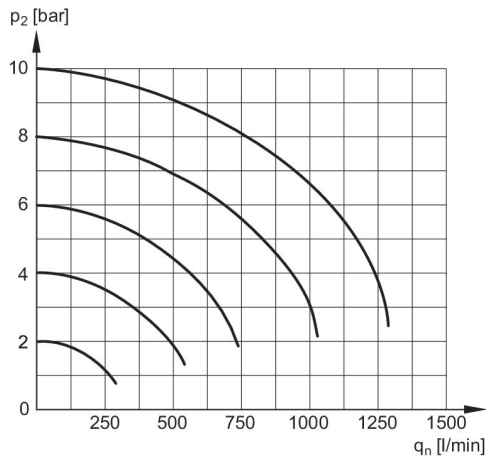
Nominal flow Qn with secondary pressure p2 = 6 bar at $\Delta p = 1$ bar

Dimensions in mm



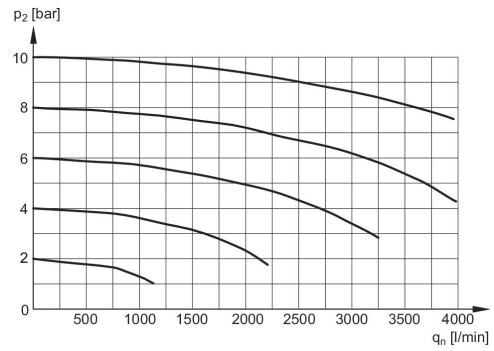
A1 = input
A2 = output
A3 = ventilation port
1) Transition plate with CNOMO porting configuration for pilot valve DO30

Rear exhaust



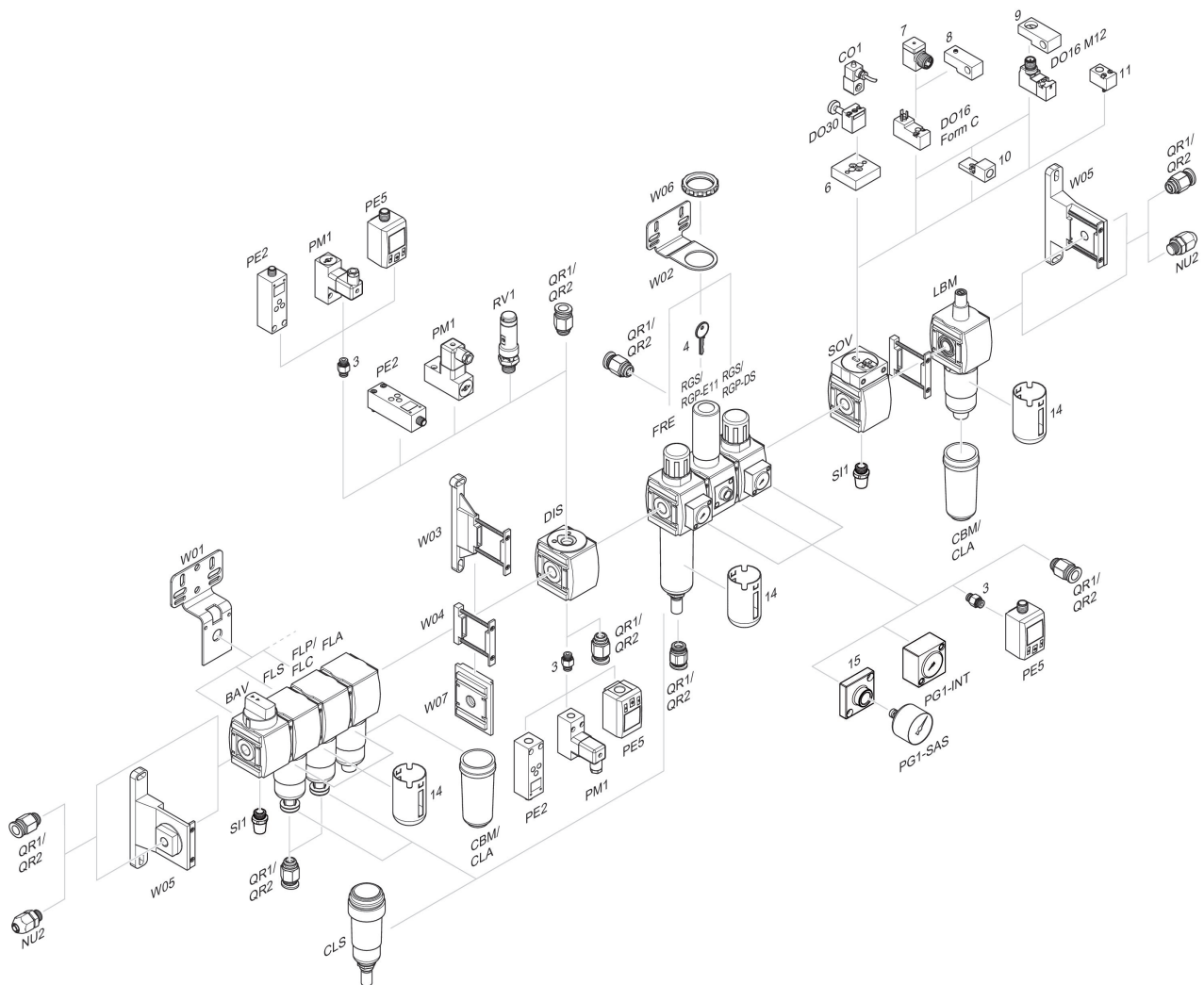
p2 = Secondary pressure
qn = Nominal flow

Flow rate characteristic, p2 = 0,05 - 7 bar



p2 = Secondary pressure
qn = Nominal flow

Accessories overview



3 = Double nipple 4 = Key for E11 locking 6 = Transition plate DO30 7 = Adapter, Series CON-VP 8 = Mounting aid DO16, form C 9 = Mounting aid DO16, M12 10 = Adapter for external pilot air 11 = Adapter pneumatic operation 14 = Protective guard 15 = Transition plate for assembling a pressure gauge with connection thread G 1/8