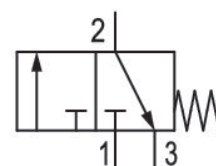


# 3/2-directional valve, electrically operated, Series AS1-SOV

R412014748

## General series information Series AS1

- The AVENTICS Series AS1 is a modular, versatile maintenance unit for universal application. This Series offers compact dimensions, is highly efficient, lightweight and easy-to-use. The AVENTICS Series AS guarantees reliability, safety, and efficiency with a simplified assembly and maintenance efforts.



## Technical data

Industry

Activation

Nominal flow  $Q_n$

Version

Compressed air connection

Working pressure min.

Working pressure max

Sealing principle

Pilot

Connection type

Parts

Can be assembled into blocks

Industrial

Electrically

2000 l/min

NC

G 1/4

2 bar

12 bar

soft seal

Internal

Pipe connection

3/2-directional valve

Can be assembled into blocks

basic valve with electrical connector	Basic valve without pilot valve, with CNOMO subbase
Type	Poppet valve
Min. ambient temperature	-10 °C
Max. ambient temperature	50 °C
Medium	Compressed air Neutral gases
Max. particle size	25 µm
Oil content of compressed air min.	0 mg/m <sup>3</sup>
Oil content of compressed air max.	5 mg/m <sup>3</sup>
Compressed air connection, exhaust	G 1/4
Air supply	right
Nominal flow Qn 1 to 2	2000 l/min
Nominal flow Qn 2 to 3	380 l/min
Protection class with connection	IP65
Weight	0.2096 kg

## Material

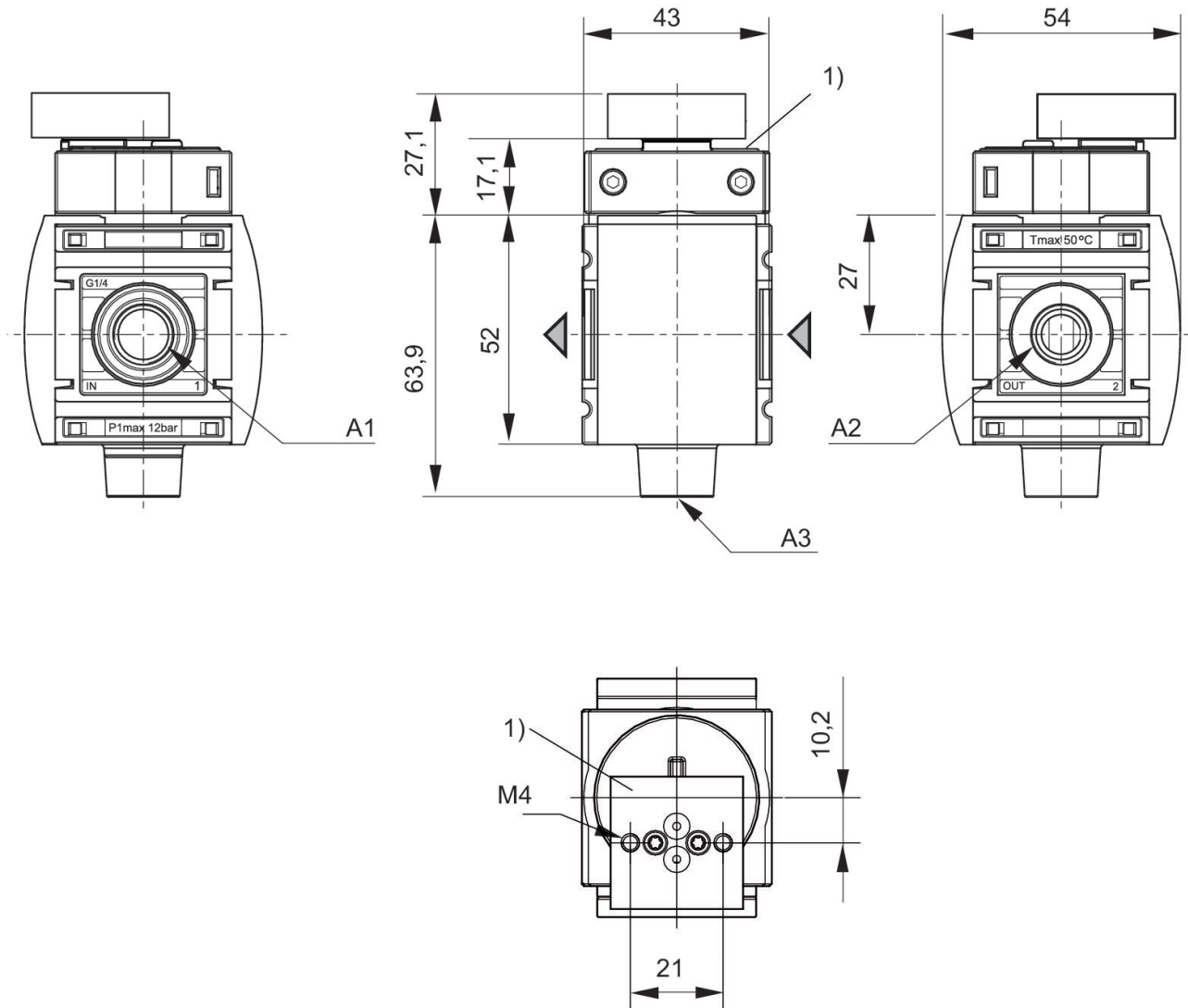
Housing material	Polyamide
Seal material	Acrylonitrile butadiene rubber
Material front plate	Acrylonitrile butadiene styrene
Part No.	R412014748

## Technical information

The pressure dew point must be at least 15 °C less than ambient and medium temperature and may not exceed 3 °C.

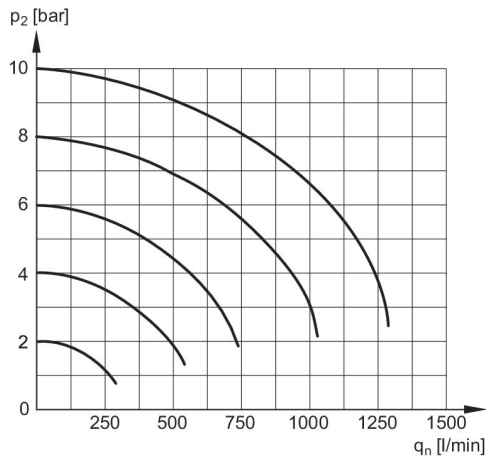
Nominal flow Qn with secondary pressure p2 = 6 bar at  $\Delta p = 1$  bar

## Dimensions in mm



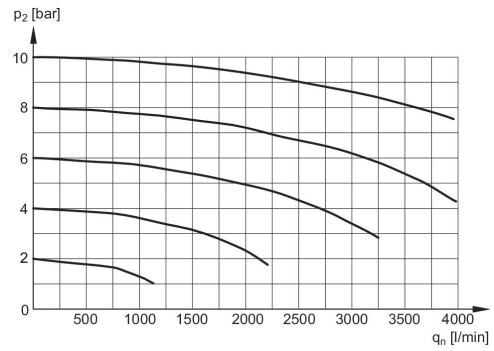
- A1 = input
- A2 = output
- A3 = ventilation port
- 1) Transition plate with CNOMO porting configuration for pilot valve DO30

### Rear exhaust



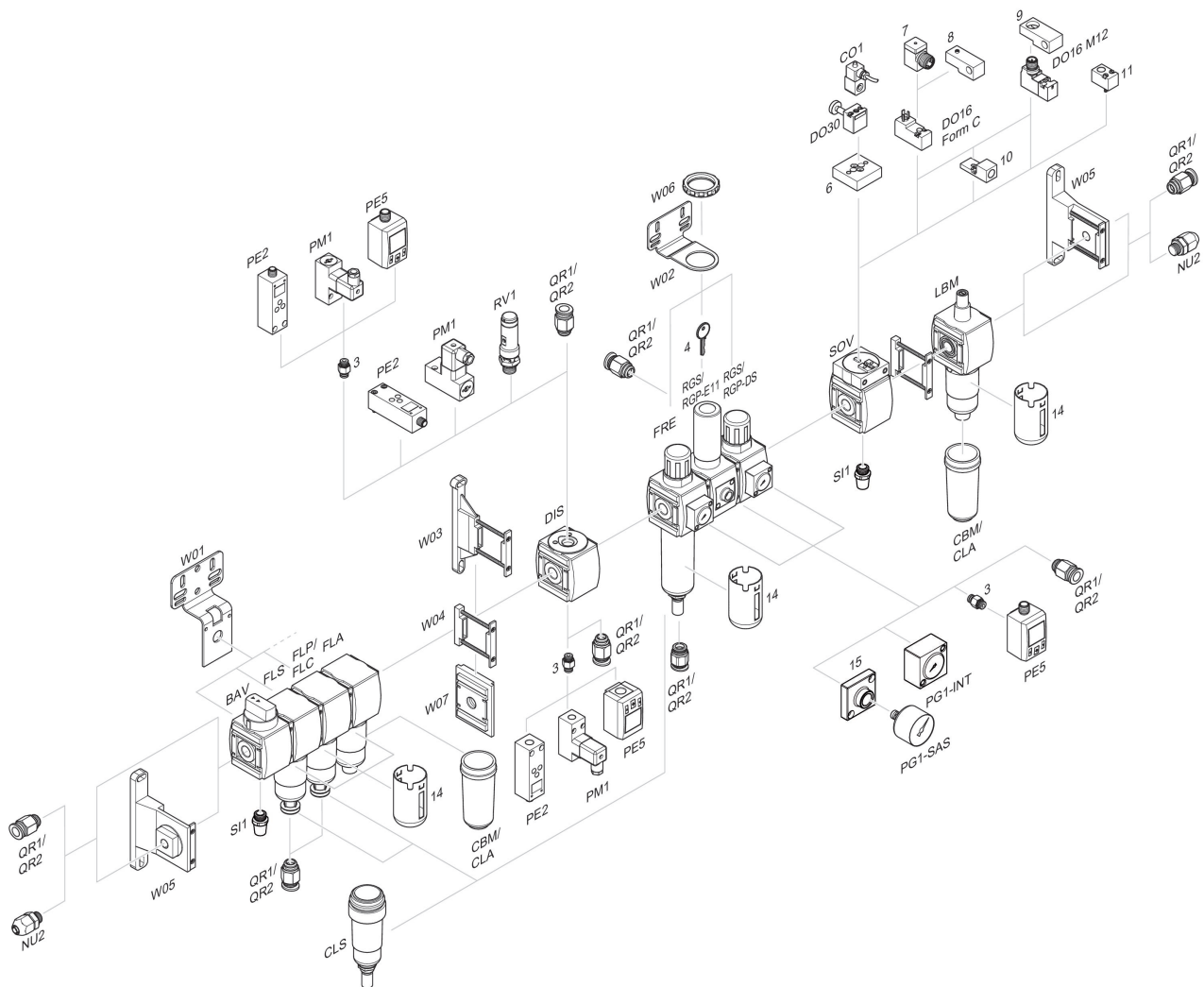
p2 = Secondary pressure  
qn = Nominal flow

### Flow rate characteristic, p2 = 0,05 - 7 bar



p2 = Secondary pressure  
qn = Nominal flow

## Accessories overview



3 = Double nipple 4 = Key for E11 locking 6 = Transition plate DO30 7 = Adapter, Series CON-VP 8 = Mounting aid DO16, form C 9 = Mounting aid DO16, M12 10 = Adapter for external pilot air 11 = Adapter pneumatic operation 14 = Protective guard 15 = Transition plate for assembling a pressure gauge with connection thread G 1/8