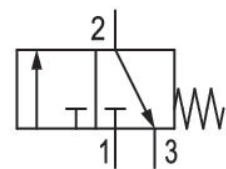


3/2-directional valve, electrically operated, Series AS1-SOV

R412014747

General series information Series AS1

- The AVENTICS Series AS1 is a modular, versatile maintenance unit for universal application. This Series offers compact dimensions, is highly efficient, lightweight and easy-to-use. The AVENTICS Series AS guarantees reliability, safety, and efficiency with a simplified assembly and maintenance efforts.



Technical data

Industry
Activation
Nominal flow Qn
Version
Compressed air connection
Working pressure min.
Working pressure max
Sealing principle
Pilot
Connection type
Parts
Can be assembled into blocks
basic valve with electrical connector

Industrial
Electrically
2000 l/min
NC
G 1/4
2 bar
12 bar
soft seal
Internal
Pipe connection
3/2-directional valve
Can be assembled into blocks
Basic valve without pilot valve

Type	Poppet valve
Min. ambient temperature	-10 °C
Max. ambient temperature	50 °C
Medium	Compressed air Neutral gases
Max. particle size	25 µm
Oil content of compressed air min.	0 mg/m ³
Oil content of compressed air max.	5 mg/m ³
Compressed air connection, exhaust	G 1/4
Air supply	right
Nominal flow Qn 1 to 2	2000 l/min
Nominal flow Qn 2 to 3	380 l/min
Protection class with connection	IP65
Weight	0.1964 kg

Material

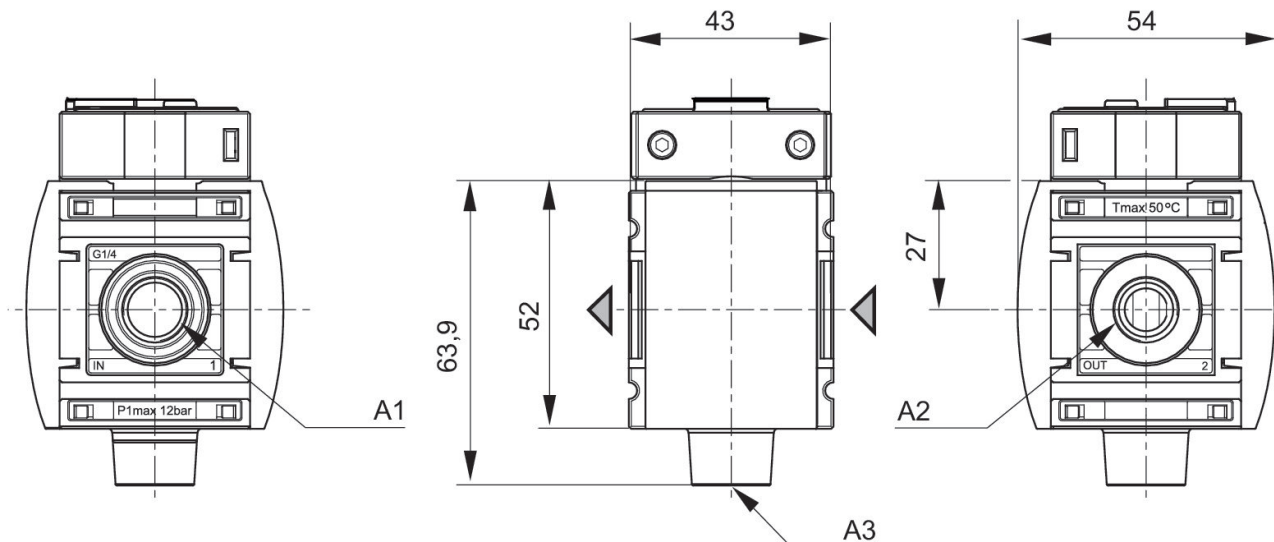
Housing material	Polyamide
Seal material	Acrylonitrile butadiene rubber
Material front plate	Acrylonitrile butadiene styrene
Part No.	R412014747

Technical information

The pressure dew point must be at least 15 °C less than ambient and medium temperature and may not exceed 3 °C.

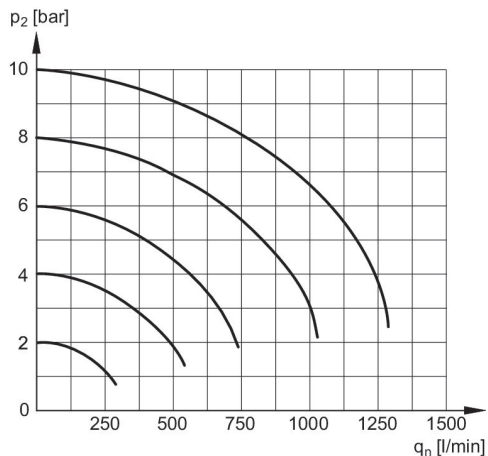
Nominal flow Qn with secondary pressure p₂ = 6 bar at Δp = 1 bar

Dimensions in mm



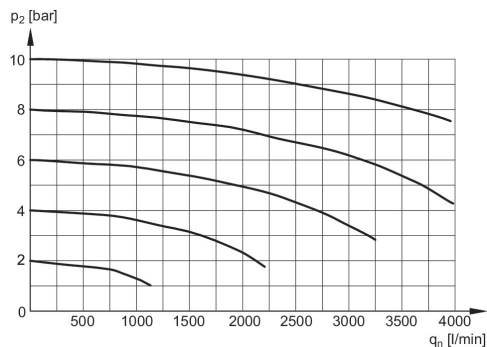
A1 = input
 A2 = output
 A3 = ventilation port

Rear exhaust



p_2 = Secondary pressure
 q_n = Nominal flow

Flow rate characteristic, $p_2 = 0,05 - 7$ bar



p_2 = Secondary pressure
 q_n = Nominal flow

Accessories overview



3 = Double nipple 4 = Key for E11 locking 6 = Transition plate DO30 7 = Adapter, Series CON-VP 8 = Mounting aid DO16, form C 9 = Mounting aid DO16, M12 10 = Adapter for external pilot air 11 = Adapter pneumatic operation 14 = Protective guard 15 = Transition plate for assembling a pressure gauge with connection thread G 1/8