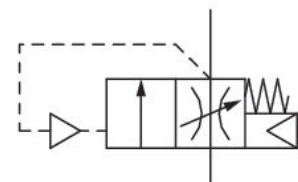


Filling valve, Series AS1-SSV

R412014749

General series information Series AS1

- The AVENTICS Series AS1 is a modular, versatile maintenance unit for universal application. This Series offers compact dimensions, is highly efficient, lightweight and easy-to-use. The AVENTICS Series AS guarantees reliability, safety, and efficiency with a simplified assembly and maintenance efforts.



Technical data

Industry
Industrial

Type
adjustable filling time

Activation
Pneumatically

Parts
Filling valve

Nominal flow Qn
2000 l/min

Air supply
right

Compressed air connection
G 1/4

Working pressure min.
0 bar

Working pressure max
12 bar

Connection type
Pipe connection

Sealing principle
Soft Seal

Type
Poppet valve

Can be assembled into blocks
Can be assembled into blocks

Control pressure min.
2.5 bar

Control pressure max.
12 bar

Min. ambient temperature
-10 °C

Max. ambient temperature
50 °C

Medium
Compressed air

Neutral gases
Max. particle size
40 µm

Nominal flow Qn 1 to 2
2000 l/min
Weight
0.1336 kg

Material

Housing material
Polyamide
Seal material
Acrylonitrile butadiene rubber
Material, front cover
Acrylonitrile butadiene styrene

Material threaded bushing
Die cast zinc
Part No.
R412014749

Technical information

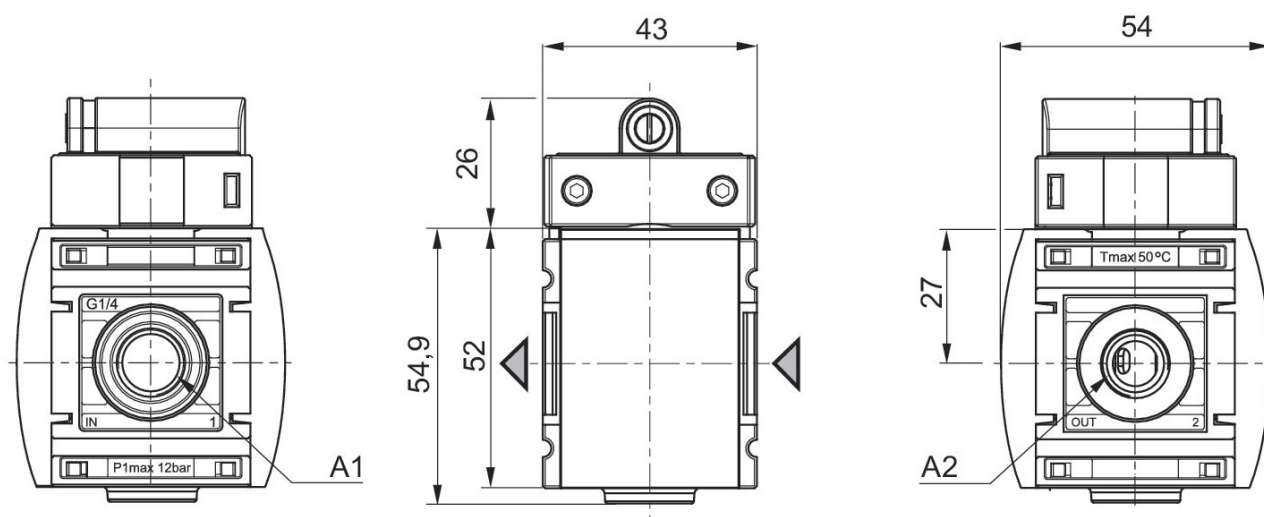
The pressure dew point must be at least 15 °C under ambient and medium temperature and may not exceed 3 °C .

Nominal flow Qn with secondary pressure p2 = 6 bar at $\Delta p = 1$ bar

The filling valve builds up pressure slowly in the pneumatic systems, i.e. prevents a sudden pressure build-up during a recommissioning after a mains pressure failure or avoids emergency OFF switching. This allows dangerous abrupt cylinder motions to be avoided.

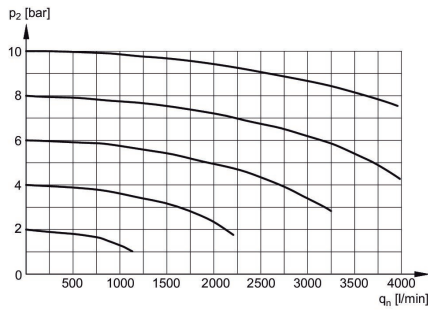
Do not position filling valves or filling units upstream of open consumers, such as nozzles, air barriers, air curtains, since these may prevent through connection of components.

Dimensions in mm



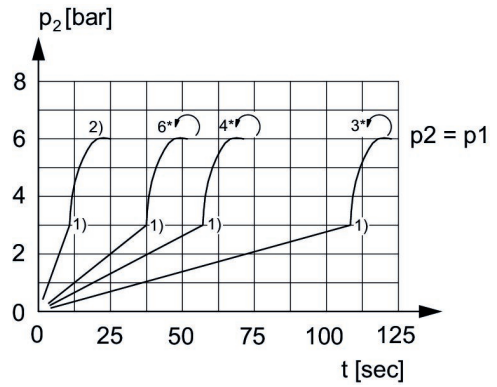
A1 = input
A2 = output

Flow rate characteristic, $p_2 = 0,05 - 7$ bar



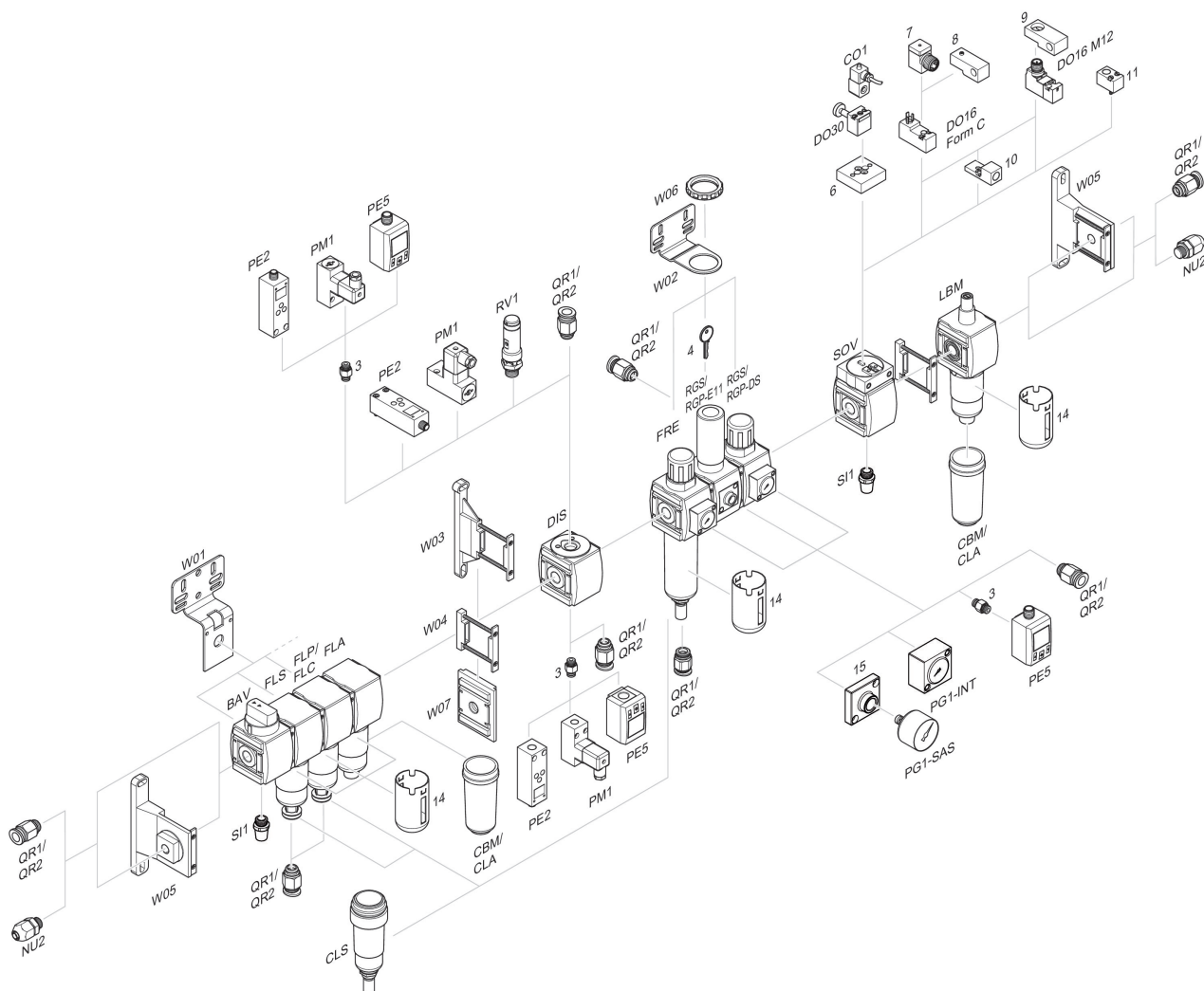
p_2 = Secondary pressure
 q_n = Nominal flow

Secondary pressure while filling



p_1 = Working pressure
 p_2 = Secondary pressure
 t = filling time, adjustable via adjustment screw (throttle)
1) Switching point: adjustable filling time, fixed change-over pressure $\approx 0.5 \times p_1$ (50%)
2) Throttle fully opened
* Adjustment screw rotations

Accessories overview



3 = Double nipple 4 = Key for E11 locking 6 = Transition plate DO30 7 = Adapter, Series CON-VP 8 = Mounting aid DO16, form C 9 = Mounting aid DO16, M12 10 = Adapter for external pilot air 11 = Adapter pneumatic operation 14 = Protective guard 15 = Transition plate for assembling a pressure gauge with connection thread G 1/8