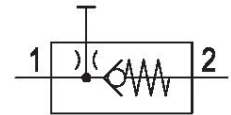


R412006255

Series AS2

The AVENTICS Series AS2 is a modular, versatile maintenance unit for universal application. This Series offers compact dimensions, is highly efficient, lightweight and easy-to-use. The AVENTICS Series AS guarantees reliability, safety, and efficiency with a simplified assembly and maintenance efforts.



Technical data

Industry	Industrial
Parts	Distributor
Port	G 3/8
Type	Non-return valve
Type	Can be assembled into blocks
Version	Distributor 1x
Mounting orientation	Any
Min. working pressure	0.4 bar
Max. working pressure	16 bar
Min. ambient temperature	-10 °C
Max. ambient temperature	50 °C
Medium	Compressed air Neutral gases
Nominal flow Qn	1250 l/min
Nominal flow Qn 1 to 2	1250 l/min
Nominal flow Qn 1 to 6	700 l/min
Weight	0.25 kg
Housing material	Polyamide
Material front plate	Acrylonitrile butadiene styrene
Seal material	Acrylonitrile butadiene rubber
Material threaded bushing	Die cast zinc
	R412006255

Technical information

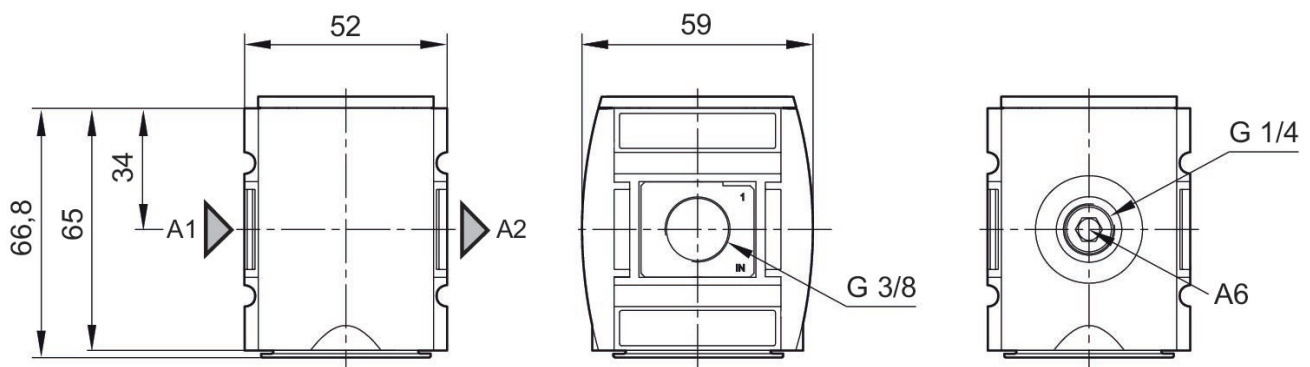
The pressure dew point must be at least 15 °C less than ambient and medium temperature and may not exceed 3 °C.

Suitable for direct mounting of a PE2 and PM1 series pressure sensor (flange version).

A change in the flow direction (from air supply on the left to air supply on the right) occurs by rotating installation by 180° about the vertical axis. Please see the operating instructions for further details.

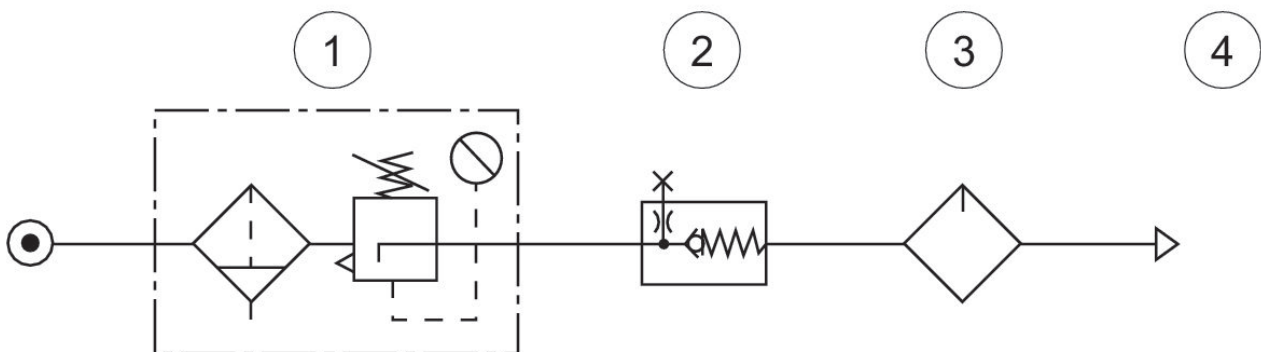
Nominal flow Q_n with secondary pressure $p_2 = 6$ bar at $\Delta p = 1$ bar

Dimensions in mm



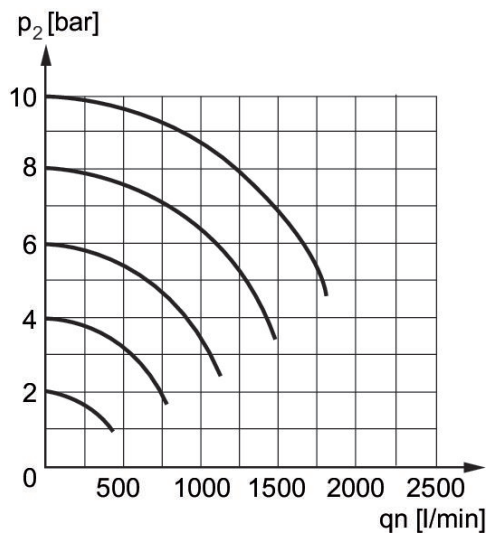
A1 = input
A2 = output
A6 = output

usage



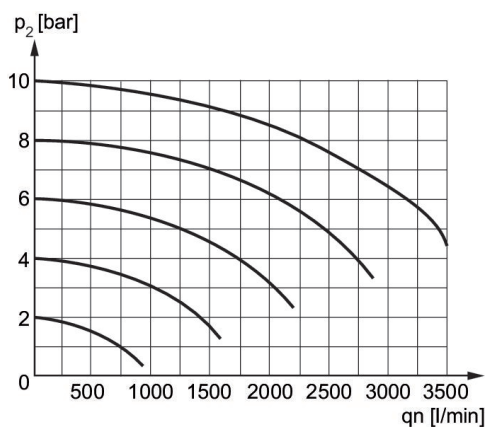
1) Filter pressure regulator
2) Non-return valve
3) Lubricator
4) Compressed air

Flow rate characteristic



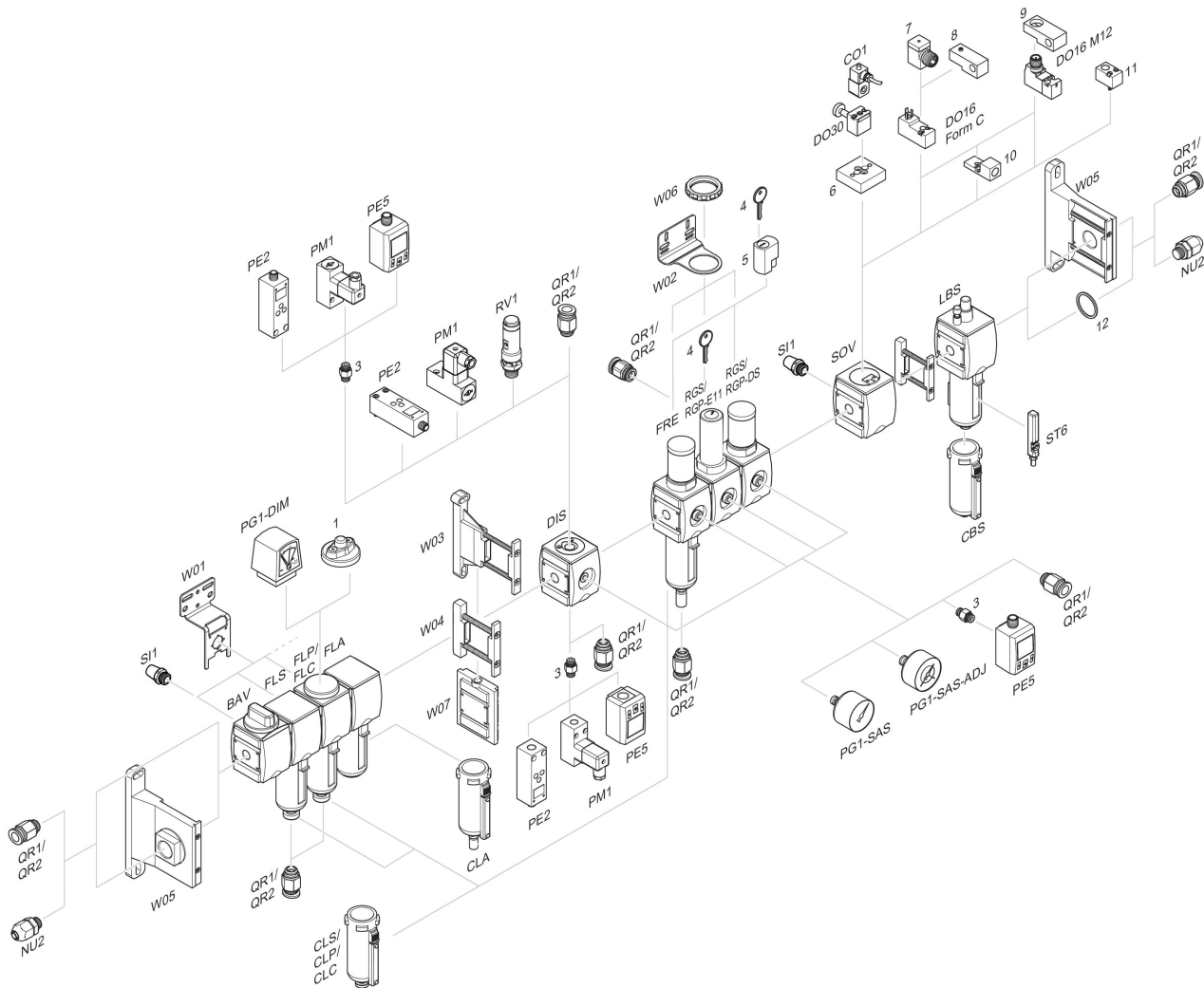
Nominal flow 1 > 3
p2 = Secondary pressure
qn = Nominal flow

Flow rate characteristic, p2 = 0,05 - 7 bar



Nominal flow Qn 1 to 2
p2 = Secondary pressure
qn = Nominal flow

Accessories overview



1 = contamination display 3 = Double nipple 4 = Key for E11 locking 5 = mortise lock 6 = Transition plate DO30 7 = Adapter, Series CON-VP 8 = Mounting aid DO16, form C 9 = Mounting aid DO16, M12 10 = Adapter for external pilot air 11 = Adapter pneumatic operation 12 = Sealing ring