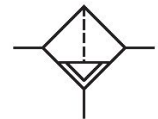


Series AS2

The AVENTICS Series AS2 is a modular, versatile maintenance unit for universal application. This Series offers compact dimensions, is highly efficient, lightweight and easy-to-use. The AVENTICS Series AS guarantees reliability, safety, and efficiency with a simplified assembly and maintenance efforts.



Technical data

| | |
|--|--|
| Industry | Industrial |
| Parts | Microfilter |
| Reservoir | reservoir, polycarbonate, with PA protective guard |
| Port | G 1/4 |
| Filter porosity | 0.01 μm |
| Nominal flow Qn | 350 l/min |
| Condensate drain | semi-automatic, open without pressure |
| Min. working pressure | 1.5 bar |
| Max. working pressure | 16 bar |
| Min. ambient temperature | -10 °C |
| Max. ambient temperature | 50 °C |
| Medium | Compressed air Neutral gases |
| Max. achievable compressed air class acc. to ISO 8573-1:2010 | 1 : - : 2 |
| Filter reservoir volume | 12 cm ³ |
| Filter element | exchangeable |
| Recommended pre-filtering | 0.3 μm |
| Weight | 0.22 kg |

Microfilter, Series AS2-FLC

2024-03-19

R412006054

| | |
|-----------------------|------------------------------|
| contamination display | integrated |
| Mounting orientation | vertical |
| Type | Can be assembled into blocks |

Material

| | |
|---------------------------|---------------------------------|
| Housing material | Polyamide |
| Material front plate | Acrylonitrile butadiene styrene |
| Seal material | Acrylonitrile butadiene rubber |
| Material threaded bushing | Die cast zinc |
| Material reservoir | Polycarbonate |
| Material protective guard | Polyamide |
| Material filter insert | Borosilicate glass fiber |
| Part No. | R412006054 |

Technical information

The pressure dew point must be at least 15 °C less than ambient and medium temperature and may not exceed 3 °C.

Note: Polycarbonate reservoirs are susceptible to solvents, supplementary information can be found at "Customer information".

Nominal flow Q_n with secondary pressure $p_2 = 6$ bar at $\Delta p = 0,1$ bar

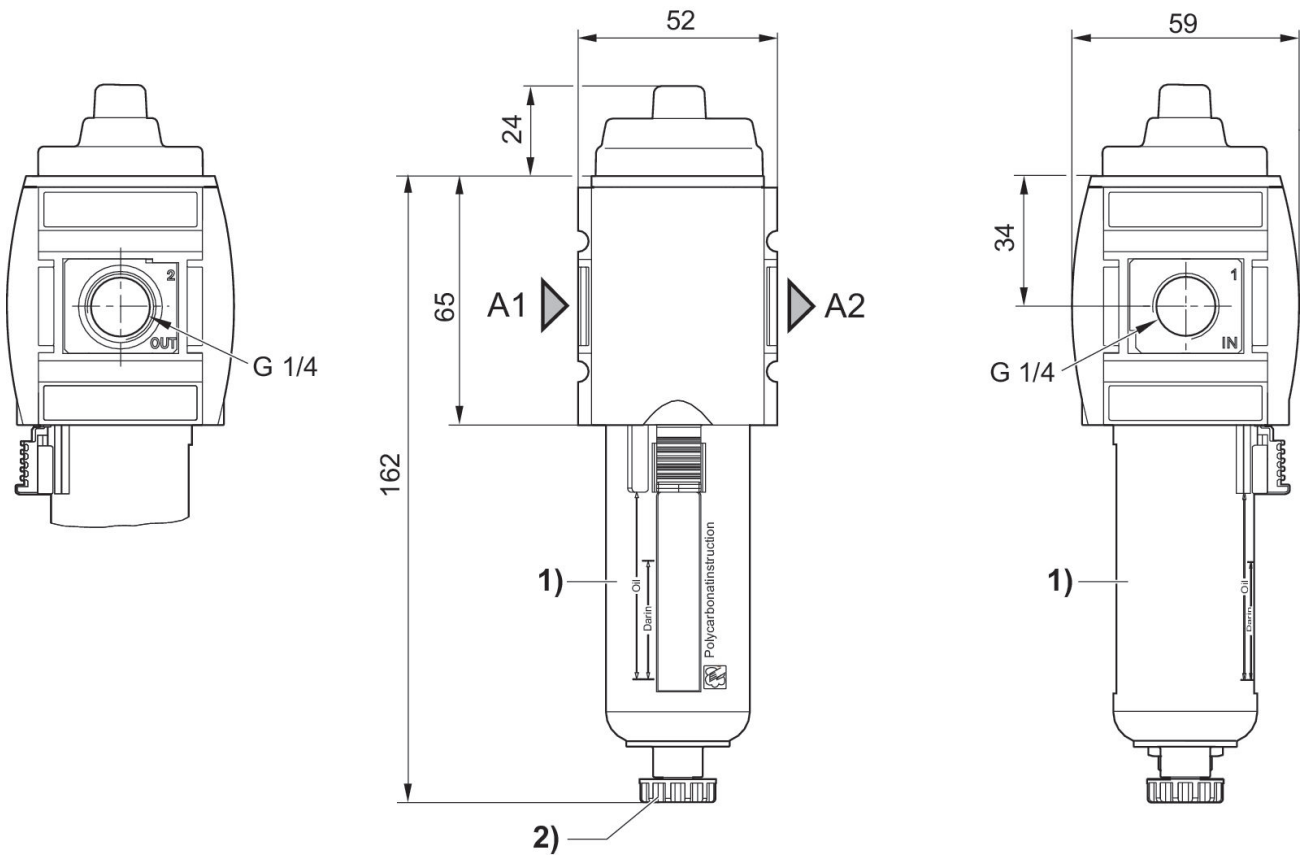
A change in the flow direction (from air supply on the left to air supply on the right) occurs by rotating installation by 180° about the vertical axis. Please see the operating instructions for further details.

Microfilter, Series AS2-FLC

2024-03-19

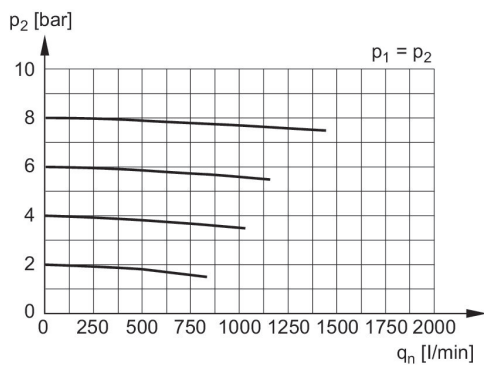
R412006054

Dimensions in mm



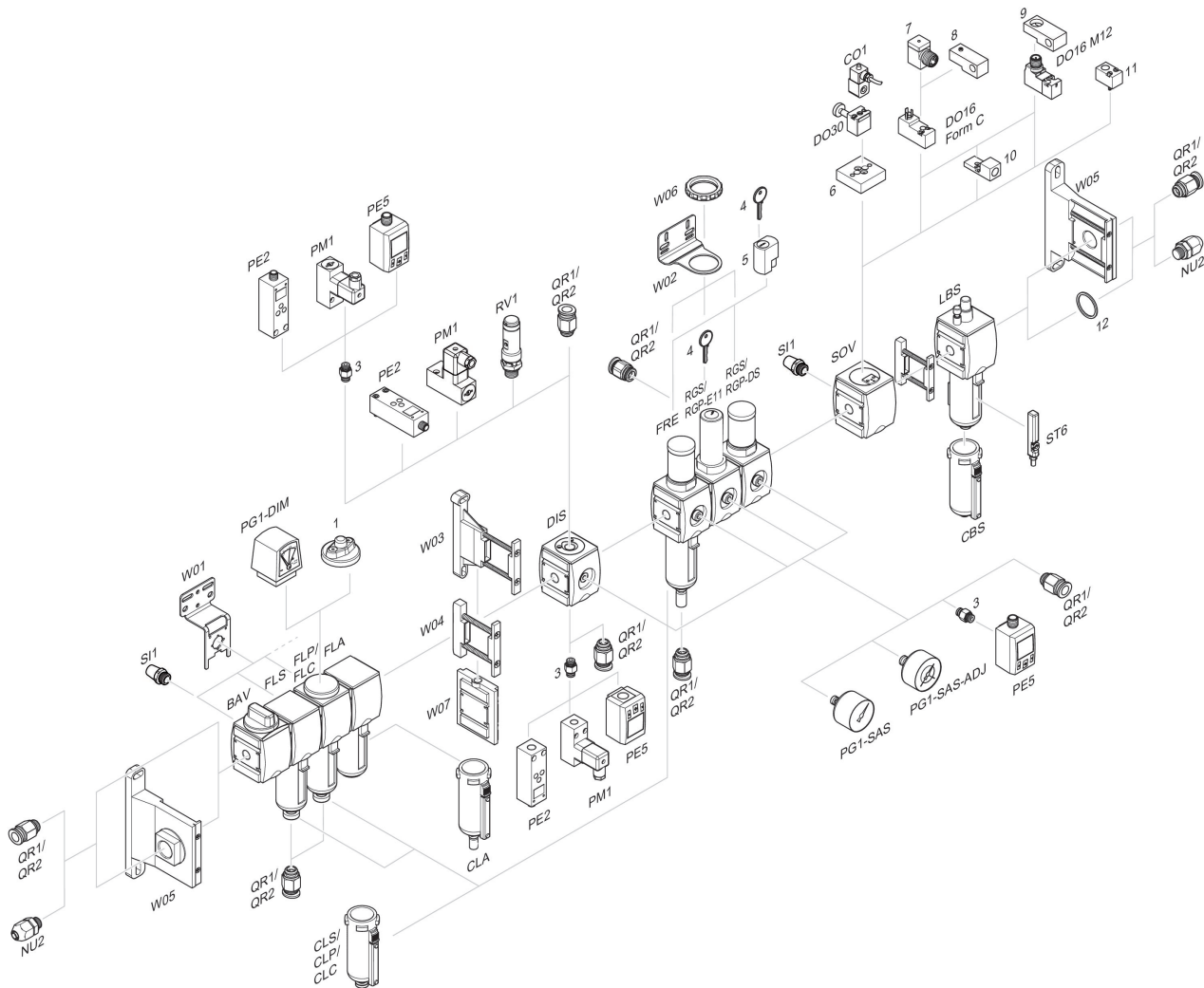
- A1 = input
- A2 = output
- 1) Plastic reservoir and protective guard with window
- 2) Semi-automatic condensate drain

Flow rate characteristic, $p_2 = 0,05 - 7$ bar



- p_1 = Working pressure
- p_2 = Secondary pressure
- q_n = Nominal flow

Accessories overview



1 = contamination display 3 = Double nipple 4 = Key for E11 locking 5 = mortise lock 6 = Transition plate DO30 7 = Adapter, Series CON-VP 8 = Mounting aid DO16, form C 9 = Mounting aid DO16, M12 10 = Adapter for external pilot air 11 = Adapter pneumatic operation 12 = Sealing ring