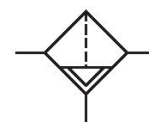


## Series AS2

The AVENTICS Series AS2 is a modular, versatile maintenance unit for universal application. This Series offers compact dimensions, is highly efficient, lightweight and easy-to-use. The AVENTICS Series AS guarantees reliability, safety, and efficiency with a simplified assembly and maintenance efforts.



## Technical data

Industry	Industrial
Parts	Microfilter
Reservoir	reservoir, metal, with inspection glass
Port	G 3/8
Filter porosity	0.01 $\mu\text{m}$
Nominal flow Qn	350 l/min
Condensate drain	fully automatic, closed without pressure
Min. working pressure	1.5 bar
Max. working pressure	16 bar
Min. ambient temperature	-10 $^{\circ}\text{C}$
Max. ambient temperature	50 $^{\circ}\text{C}$
Medium	Compressed air Neutral gases
Max. achievable compressed air class acc. to ISO 8573-1:2010	1 : - : 2
Filter reservoir volume	12 $\text{cm}^3$
Filter element	exchangeable
Recommended pre-filtering	0.3 $\mu\text{m}$
Weight	0.559 kg
contamination display	integrated

# Microfilter, Series AS2-FLC

2024-03-19

R412006071

---

inspection glass	with window
Mounting orientation	vertical
Type	Can be assembled into blocks

## Material

Housing material	Polyamide
Material front plate	Acrylonitrile butadiene styrene
Seal material	Acrylonitrile butadiene rubber
Material threaded bushing	Die cast zinc
Material reservoir	Die cast zinc
Material filter insert	Borosilicate glass fiber
Part No.	R412006071

## Technical information

The pressure dew point must be at least 15 °C less than ambient and medium temperature and may not exceed 3 °C.

Nominal flow  $Q_n$  with secondary pressure  $p_2 = 6$  bar at  $\Delta p = 0,1$  bar

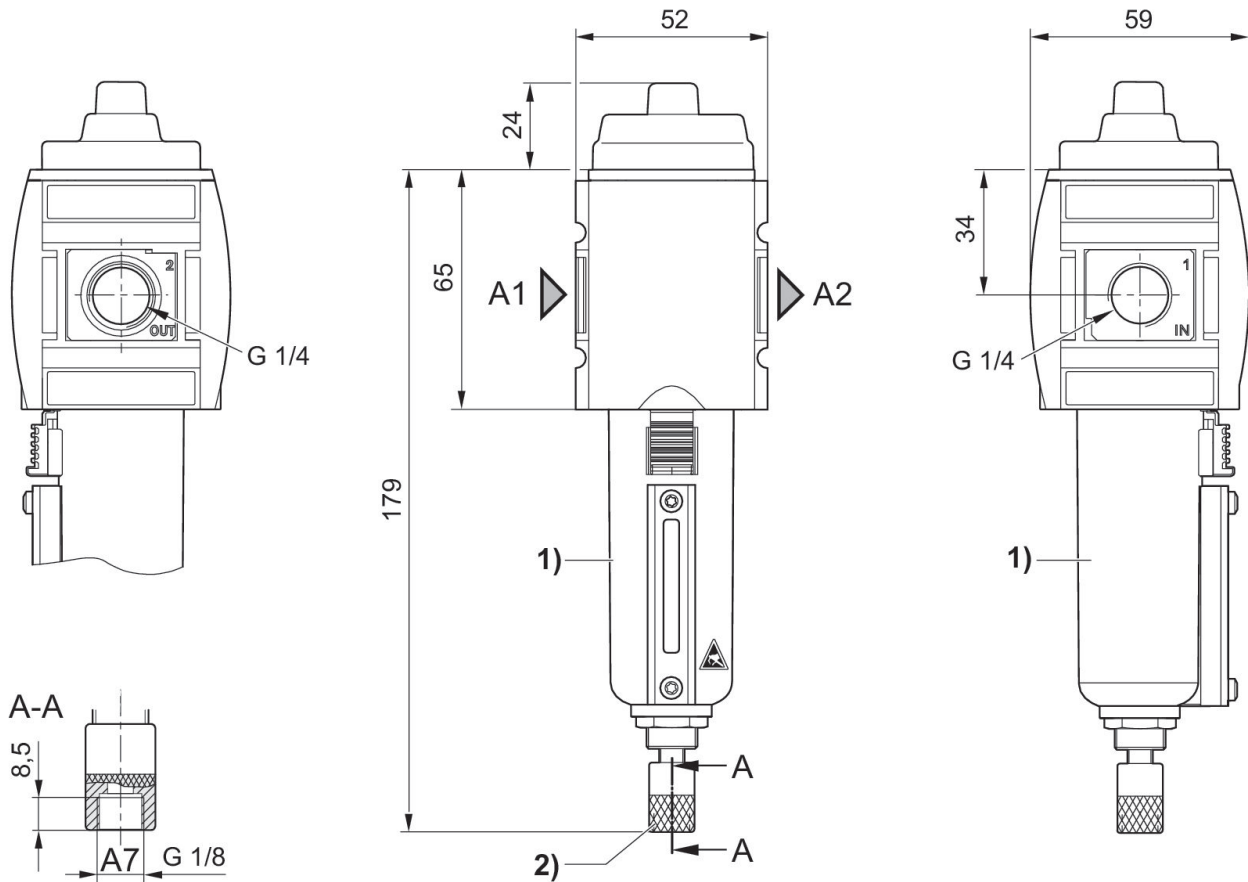
A change in the flow direction (from air supply on the left to air supply on the right) occurs by rotating installation by 180° about the vertical axis. Please see the operating instructions for further details.

# Microfilter, Series AS2-FLC

2024-03-19

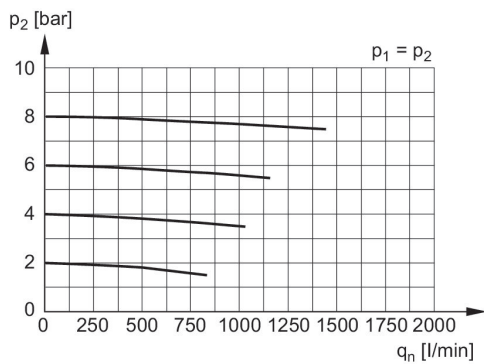
R412006071

## Dimensions in mm



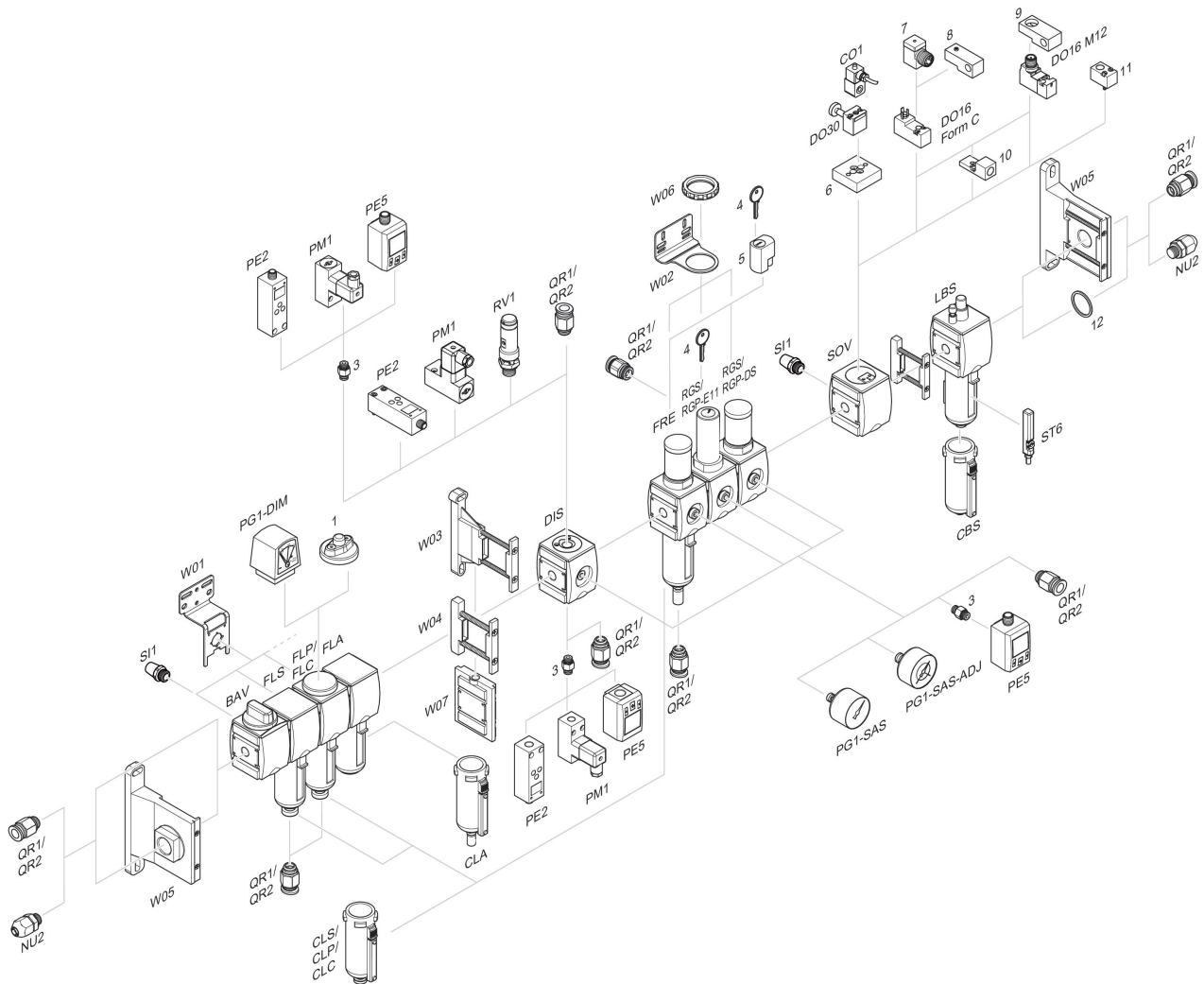
- A1 = input
- A2 = output
- A7 = condensate drain
- 1) Metal reservoir with level indicator
- 2) Fully automatic condensate drain

## Flow rate characteristic, $p_2 = 0,05 - 7$ bar



- $p_1$  = Working pressure
- $p_2$  = Secondary pressure
- $q_n$  = Nominal flow

## Accessories overview



1 = contamination display 3 = Double nipple 4 = Key for E11 locking 5 = mortise lock 6 = Transition plate DO30 7 = Adapter, Series CON-VP 8 = Mounting aid DO16, form C 9 = Mounting aid DO16, M12 10 = Adapter for external pilot air 11 = Adapter pneumatic operation 12 = Sealing ring