

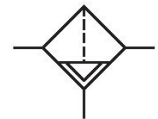
# Pre-filter, Series AS2-FLP

2024-03-19

R412006028

## Series AS2

The AVENTICS Series AS2 is a modular, versatile maintenance unit for universal application. This Series offers compact dimensions, is highly efficient, lightweight and easy-to-use. The AVENTICS Series AS guarantees reliability, safety, and efficiency with a simplified assembly and maintenance efforts.



## Technical data

|  |  |
|--|--|
| Industry   | Industrial   |
| Parts  | Pre-filter   |
| Reservoir  | reservoir, polycarbonate, with PA protective guard |
| Port   | G 3/8  |
| Filter porosity  | 0.3 $\mu\text{m}$                                  |
| Nominal flow $Q_n$   | 400 l/min  |
| Condensate drain   | fully automatic, open without pressure             |
| Min. working pressure  | 1.5 bar  |
| Max. working pressure  | 16 bar   |
| Min. ambient temperature                                     | -10 °C   |
| Max. ambient temperature                                     | 50 °C  |
| Medium   | Compressed air<br>Neutral gases                    |
| Max. achievable compressed air class acc. to ISO 8573-1:2010 | 2 : - : 3  |
| Filter reservoir volume                                      | 12 cm <sup>3</sup>                                 |
| Filter element   | exchangeable                                       |
| Recommended pre-filtering                                    | 5 $\mu\text{m}$                                    |
| Weight   | 0.263 kg   |

R412006028

---

|                      |                              |
|----------------------|------------------------------|
| Mounting orientation | vertical                     |
| Type                 | Can be assembled into blocks |

## Material

|                           |                                 |
|---------------------------|---------------------------------|
| Housing material          | Polyamide                       |
| Material front plate      | Acrylonitrile butadiene styrene |
| Seal material             | Acrylonitrile butadiene rubber  |
| Material threaded bushing | Die cast zinc                   |
| Material reservoir        | Polycarbonate                   |
| Material protective guard | Polyamide                       |
| Material filter insert    | Impregnated paper               |
| Part No.                  | R412006028                      |

## Technical information

The pressure dew point must be at least 15 °C less than ambient and medium temperature and may not exceed 3 °C.

Note: Polycarbonate reservoirs are susceptible to solvents, supplementary information can be found at "Customer information".

Nominal flow  $Q_n$  with secondary pressure  $p_2 = 6$  bar at  $\Delta p = 0,1$  bar

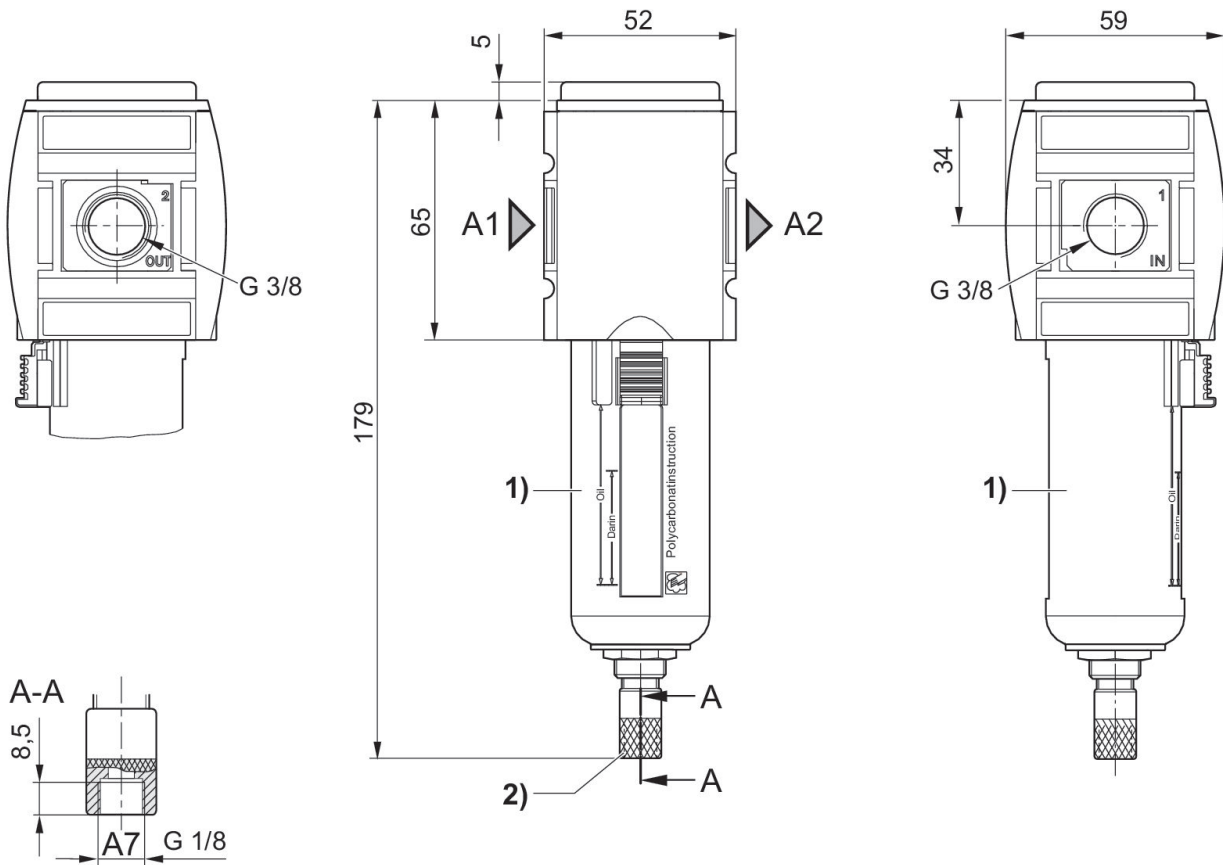
A change in the flow direction (from air supply on the left to air supply on the right) occurs by rotating installation by 180° about the vertical axis. Please see the operating instructions for further details.

# Pre-filter, Series AS2-FLP

2024-03-19

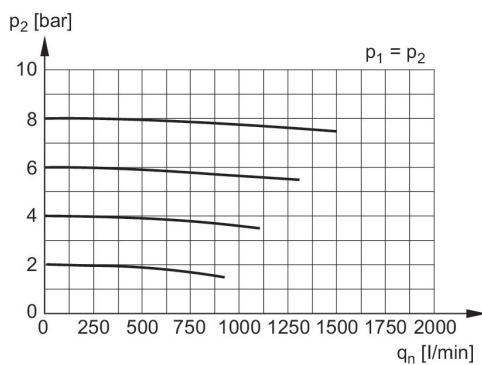
R412006028

## Dimensions in mm



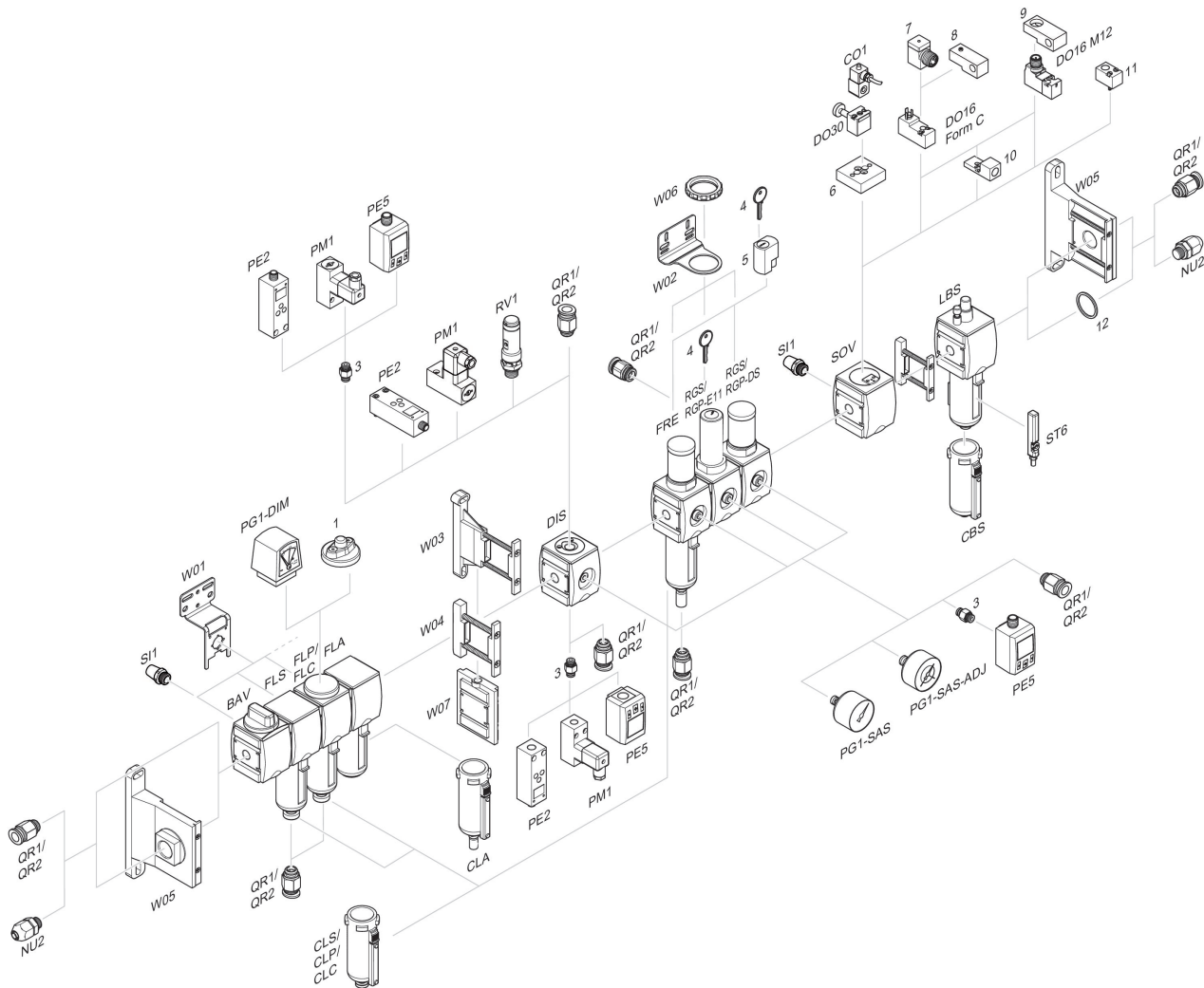
- A1 = input
- A2 = output
- A7 = condensate drain
- 1) Plastic reservoir and protective guard with window
- 2) Fully automatic condensate drain

## Flow rate characteristic, $p_2 = 0,05 - 7$ bar



- $p_1$  = Working pressure
- $p_2$  = Secondary pressure
- $q_n$  = Nominal flow

## Accessories overview



1 = contamination display 3 = Double nipple 4 = Key for E11 locking 5 = mortise lock 6 = Transition plate DO30 7 = Adapter, Series CON-VP 8 = Mounting aid DO16, form C 9 = Mounting aid DO16, M12 10 = Adapter for external pilot air 11 = Adapter pneumatic operation 12 = Sealing ring