

Pre-filter, Series AS2-FLP

2024-03-19

R412006034

Series AS2

The AVENTICS Series AS2 is a modular, versatile maintenance unit for universal application. This Series offers compact dimensions, is highly efficient, lightweight and easy-to-use. The AVENTICS Series AS guarantees reliability, safety, and efficiency with a simplified assembly and maintenance efforts.



Technical data

| | |
|--|---|
| Industry | Industrial |
| Parts | Pre-filter |
| Reservoir | reservoir, metal, with inspection glass |
| Port | G 3/8 |
| Filter porosity | 0.3 μm |
| Nominal flow Qn | 400 l/min |
| Condensate drain | fully automatic, open without pressure |
| Min. working pressure | 1.5 bar |
| Max. working pressure | 16 bar |
| Min. ambient temperature | -10 °C |
| Max. ambient temperature | 50 °C |
| Medium | Compressed air Neutral gases |
| Max. achievable compressed air class acc. to ISO 8573-1:2010 | 2 : - : 3 |
| Filter reservoir volume | 12 cm ³ |
| Filter element | exchangeable |
| Recommended pre-filtering | 5 μm |
| Weight | 0.525 kg |
| inspection glass | with window |

| | |
|----------------------|------------------------------|
| Mounting orientation | vertical |
| Type | Can be assembled into blocks |

Material

| | |
|---------------------------|---------------------------------|
| Housing material | Polyamide |
| Material front plate | Acrylonitrile butadiene styrene |
| Seal material | Acrylonitrile butadiene rubber |
| Material threaded bushing | Die cast zinc |
| Material reservoir | Die cast zinc |
| Material filter insert | Impregnated paper |
| Part No. | R412006034 |

Technical information

The pressure dew point must be at least 15 °C less than ambient and medium temperature and may not exceed 3 °C.

Nominal flow Q_n with secondary pressure $p_2 = 6$ bar at $\Delta p = 0,1$ bar

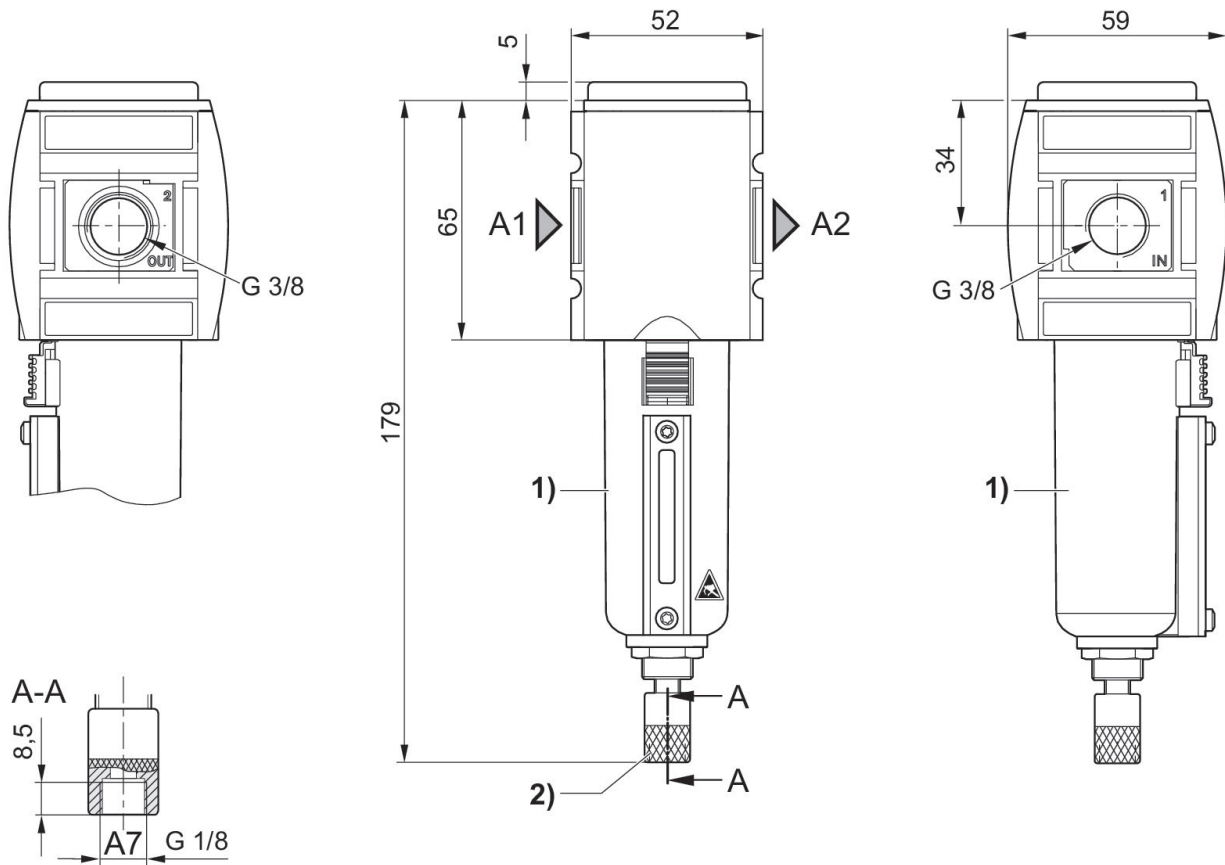
A change in the flow direction (from air supply on the left to air supply on the right) occurs by rotating installation by 180° about the vertical axis. Please see the operating instructions for further details.

Pre-filter, Series AS2-FLP

2024-03-19

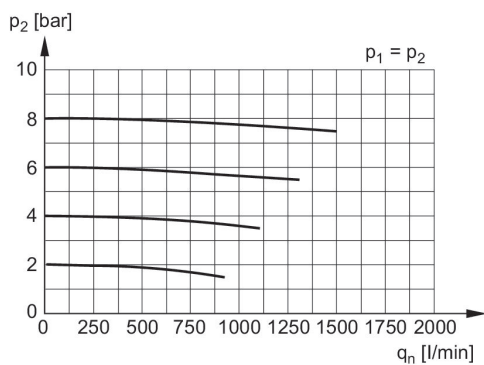
R412006034

Dimensions in mm



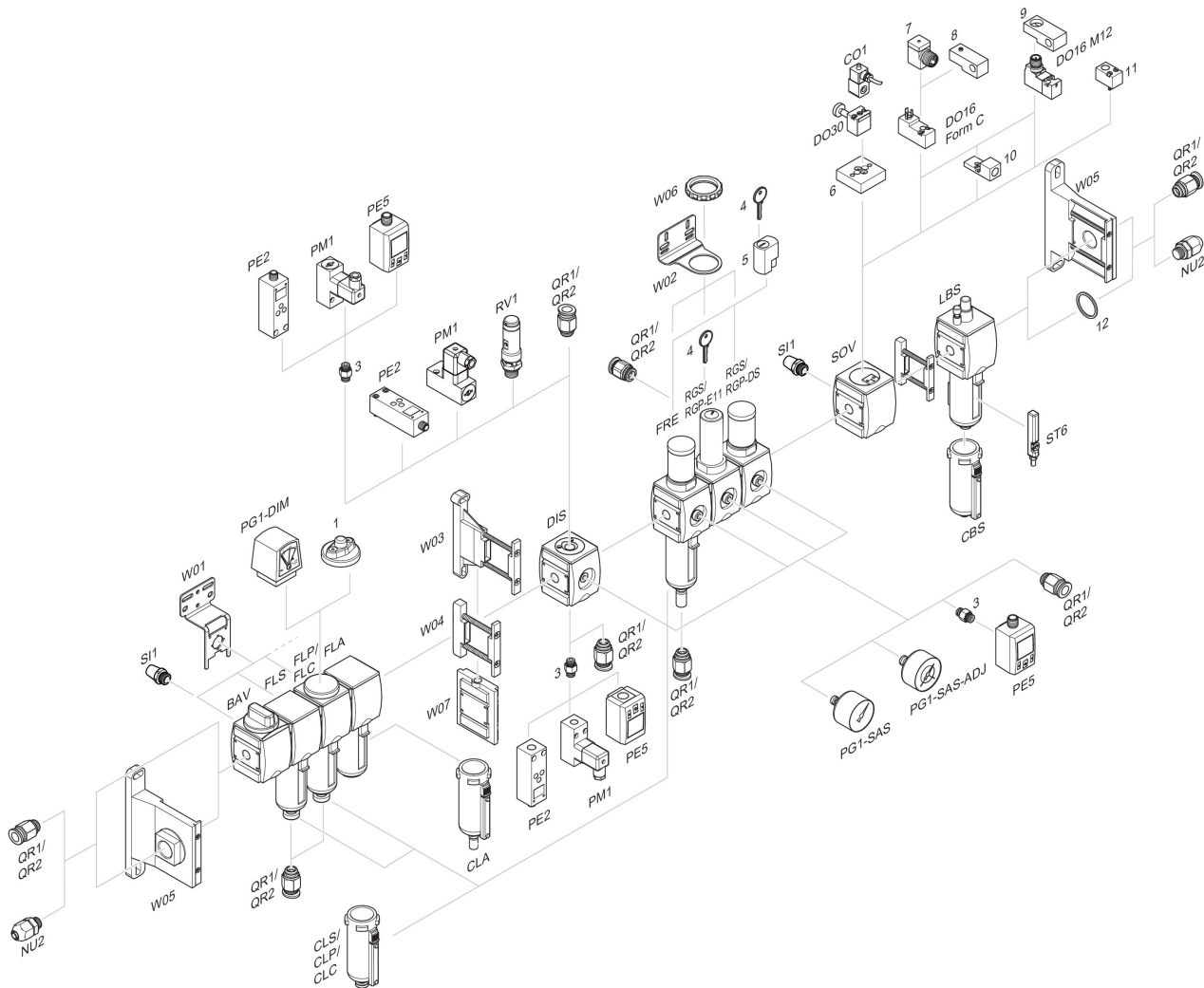
- A1 = input
- A2 = output
- A7 = condensate drain
- 1) Metal reservoir with level indicator
- 2) Fully automatic condensate drain

Flow rate characteristic, $p_2 = 0,05 - 7$ bar



- p_1 = Working pressure
- p_2 = Secondary pressure
- q_n = Nominal flow

Accessories overview



1 = contamination display 3 = Double nipple 4 = Key for E11 locking 5 = mortise lock 6 = Transition plate DO30 7 = Adapter, Series CON-VP 8 = Mounting aid DO16, form C 9 = Mounting aid DO16, M12 10 = Adapter for external pilot air 11 = Adapter pneumatic operation 12 = Sealing ring